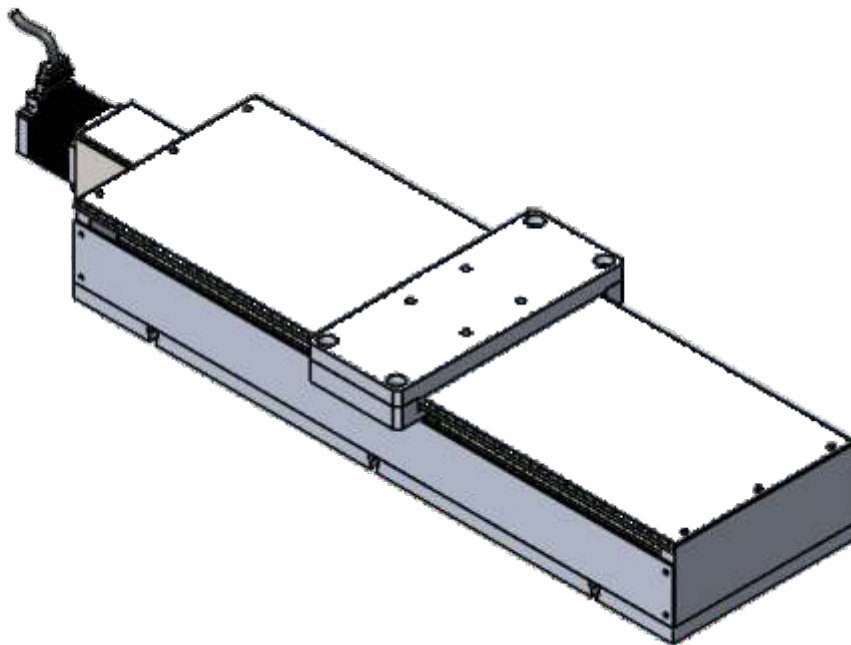
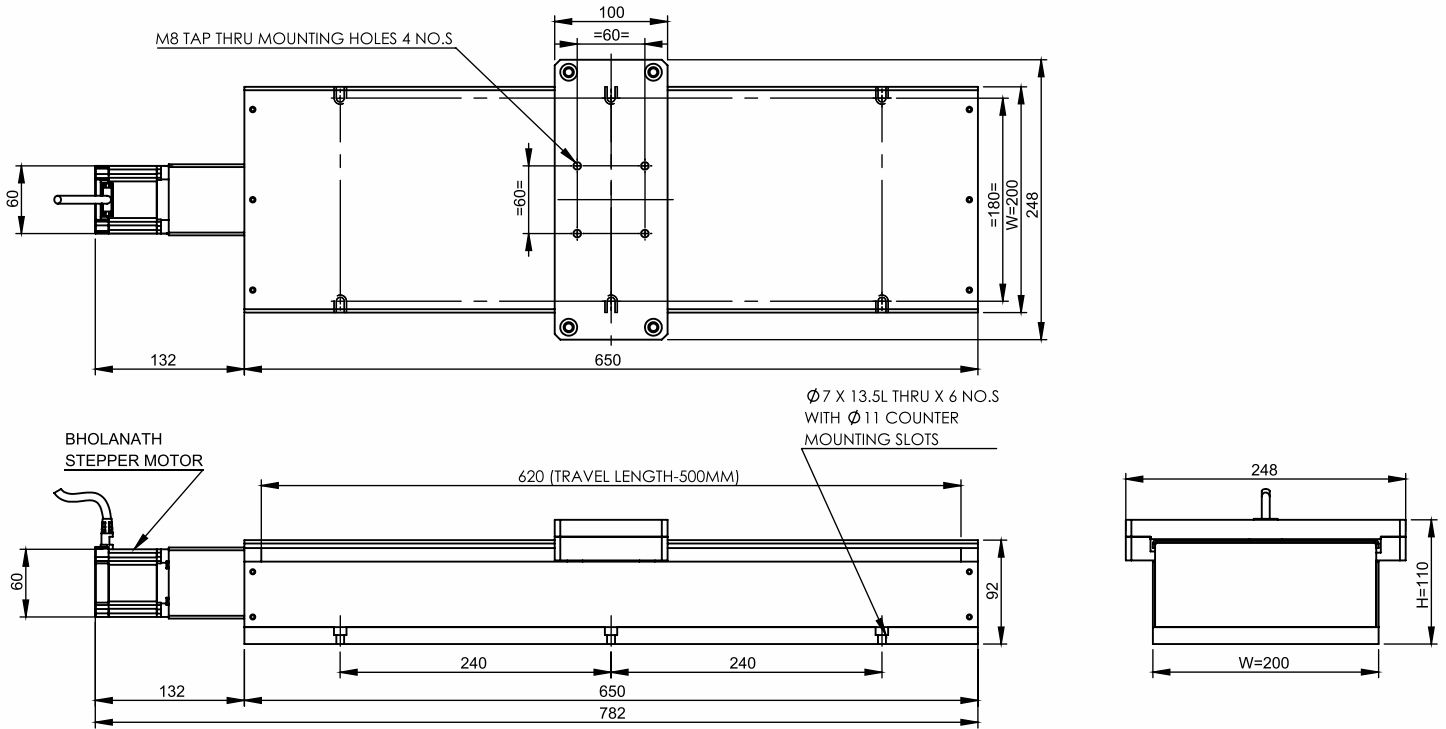
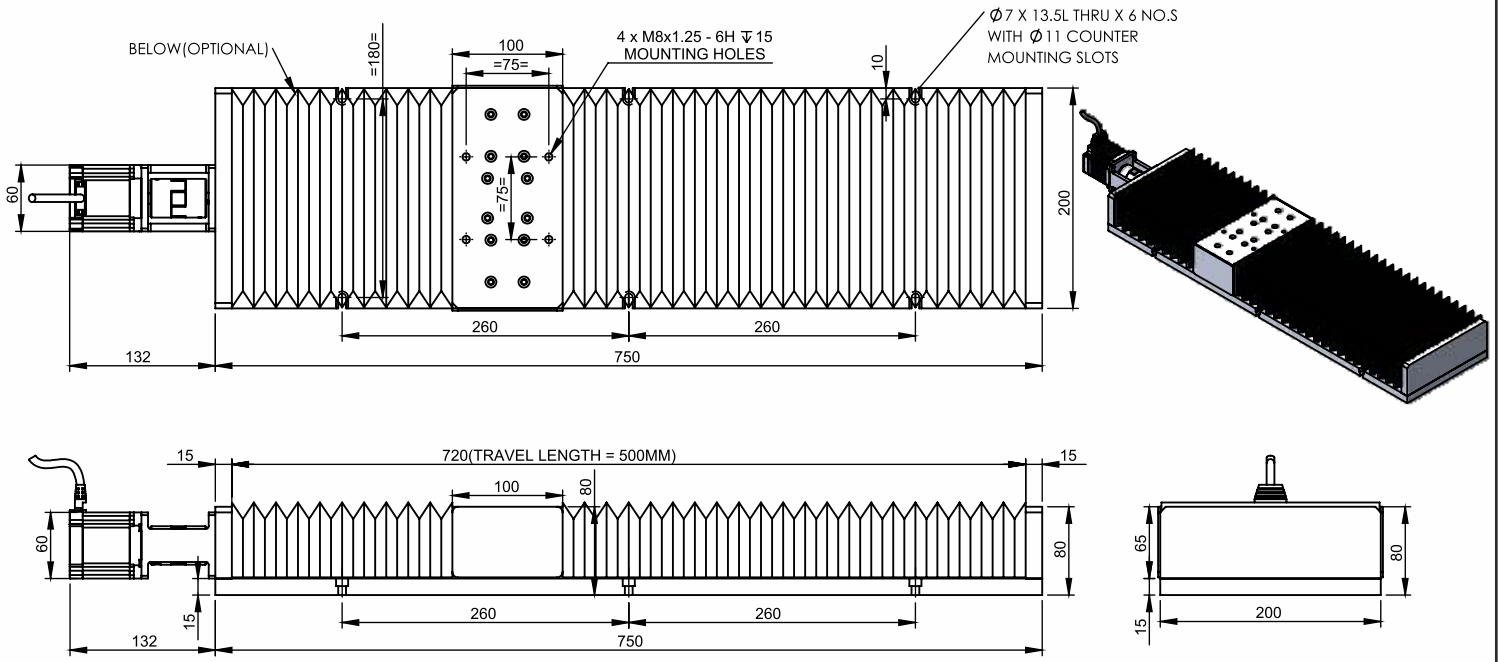


SPECIFICATION SHEET
Bholanath

X AXIS POSITIONING TABLE
BHBS-LLHS- X-SLIDE-500 (M+E+P)



X SLIDE WITH SHEET METAL COVER



X Slide with bellow cover

Stepper Drive
BH-SMART-4.5A
 Weight :- 350 gm
 Qty 01 Nos



Stepper Drive Controller
BH-SDC-01-N
 Weight :- 0.3 KG
 Qty 01 Nos



Power Supply
BH-48VDC
 Weight :- 2.1KG
 Qty 01 Nos



Two Drive Control Panel
 Weight :- 10 KG
 Qty 01 Nos

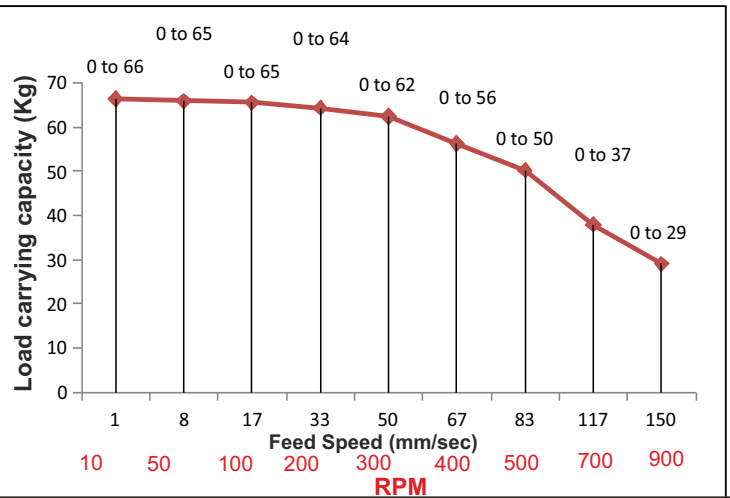


TECHNICAL DATA

SPECIFICATION Model No BHBS-LLHS- X-SLIDE-500 (M+E+P)

1	Maximum load carrying capacity(kg)	66
2	Permissible Feed Speed	0 to 150 mm/sec
3	Positioning Accuracy (mm)	≤ 0.02
4	Degree Of protection	IP 40
5	Total Weight of slide (KG)	18
6	Total Weight of Systems (KG)	30

Note:- The Load Calculation is Based On Horizontal Movement. For Vertical Movement Kindly Consider Safety Factor Of 0.6 And Motor With Brake.



Bholanath Precision Engineering Pvt.Ltd.

1002 Opposite Old Passport Office, Wagle Estate, MIDC, Thane West - 400604.India.
Tel Nos - 91 - 22 - 69181700 (100 Lines) / 9821671733
Mobile No : 9920903825/9821671733/9930514603/9819515543/9323166582.
Email Id - support@bholanath.in/ nisha.k@bholanath.in
Website - www.bholanath.in