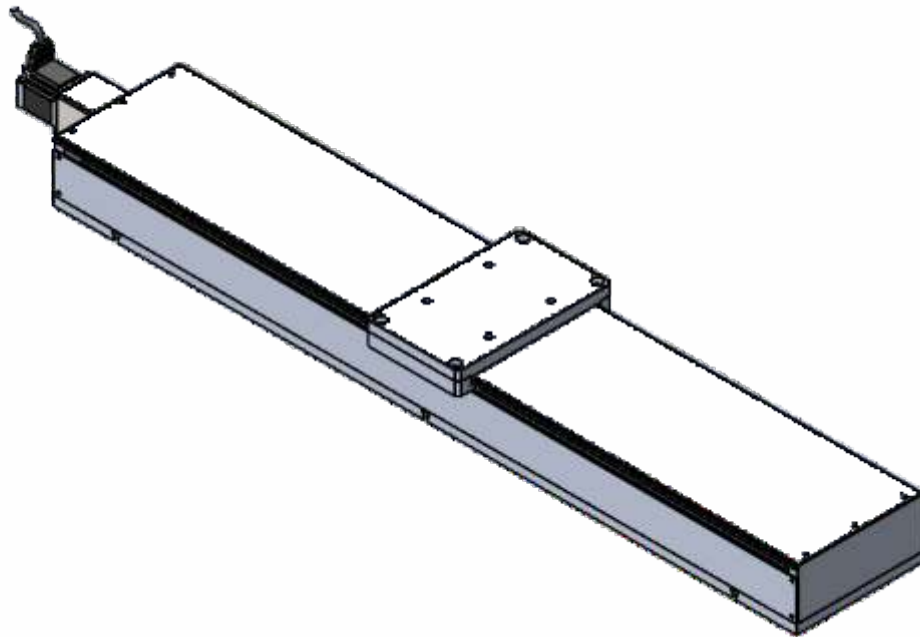
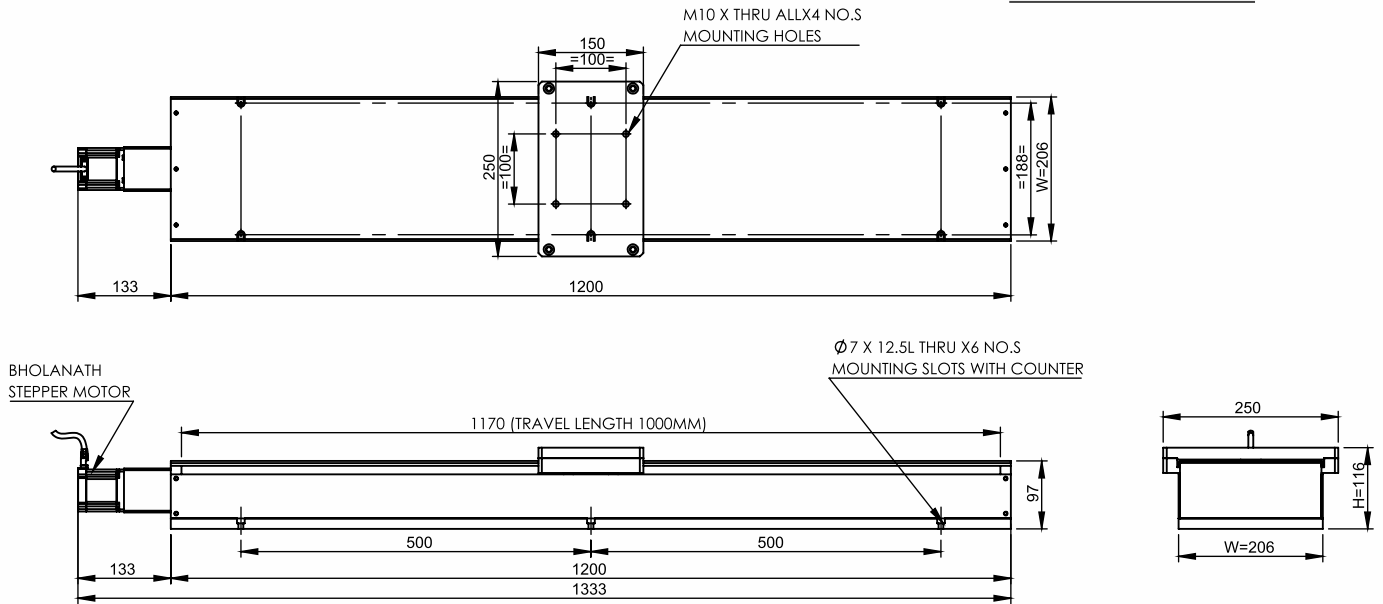
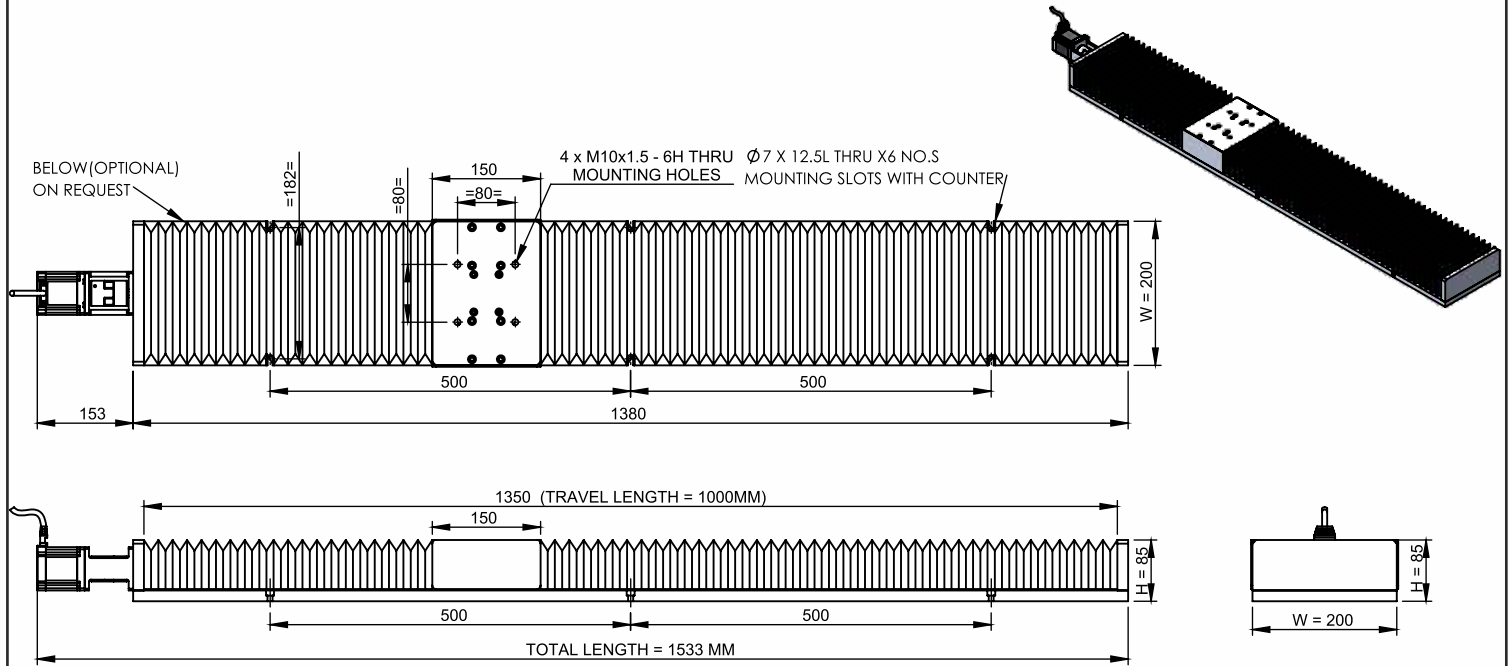


HIGH PRECISION X AXIS POSITIONING TABLE - LINEAR BALL SCREW SLIDES



X SLIDE WITH SHEET METAL COVER

HIGH PRECISION X AXIS POSITIONING TABLE - LINEAR BALL SCREW SLIDES

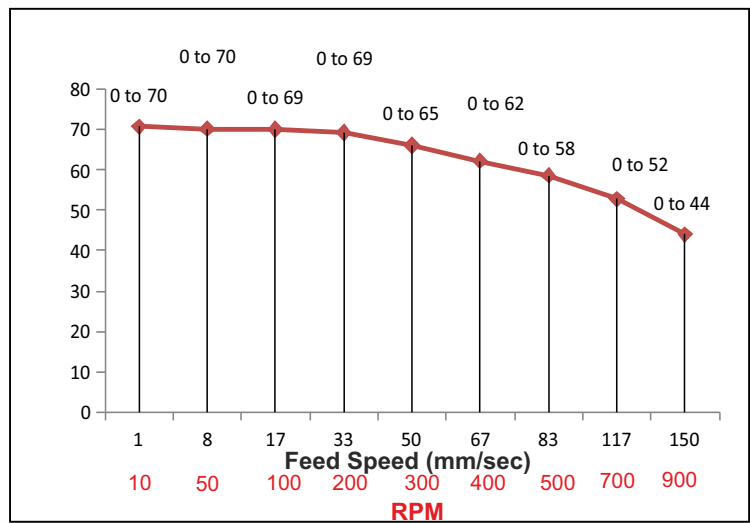


TECHNICAL DATA

SPECIFICATION Model no BHBS-LLHS- X-SLIDE-1000 (M+E)

1	Maximum load carrying capacity(kg)	70
2	Permissible Feed Speed	0 to 150 mm/sec
3	Positioning Accuracy (mm)	≤ 0.02
4	Degree Of protection	IP 40
5	Total Weight of slide (KG)	28
6	Total Weight of Systems (KG)	33

Note:- The Load Calculation is Based On Horizontal Movement. For Vertical Movement Kindly Consider Safety Factor Of 0.6 And Motor With Brake.



Stepper Drive
BH-SMART-4.5A
Weight :- 350 gm
Qty 01 Nos



Power Supply
BH-48VDC
Weight :- 2.1KG
Qty 01 Nos



Stepper Drive Controller
BH-SDC-01-N
Weight :- 0.3 KG
Qty 01 Nos



Bholanath Precision Engineering Pvt.Ltd.

11,Kembros Ind.Estate , Sonapur Lane , Bhandup (W),Mumbai - 400078.
Telefax/Phone : 25662856/25664338/67993260 Email : support@bholanath.in
Mobile No : 9920903825/9821671733/9930514603/9819515543/9323166582.