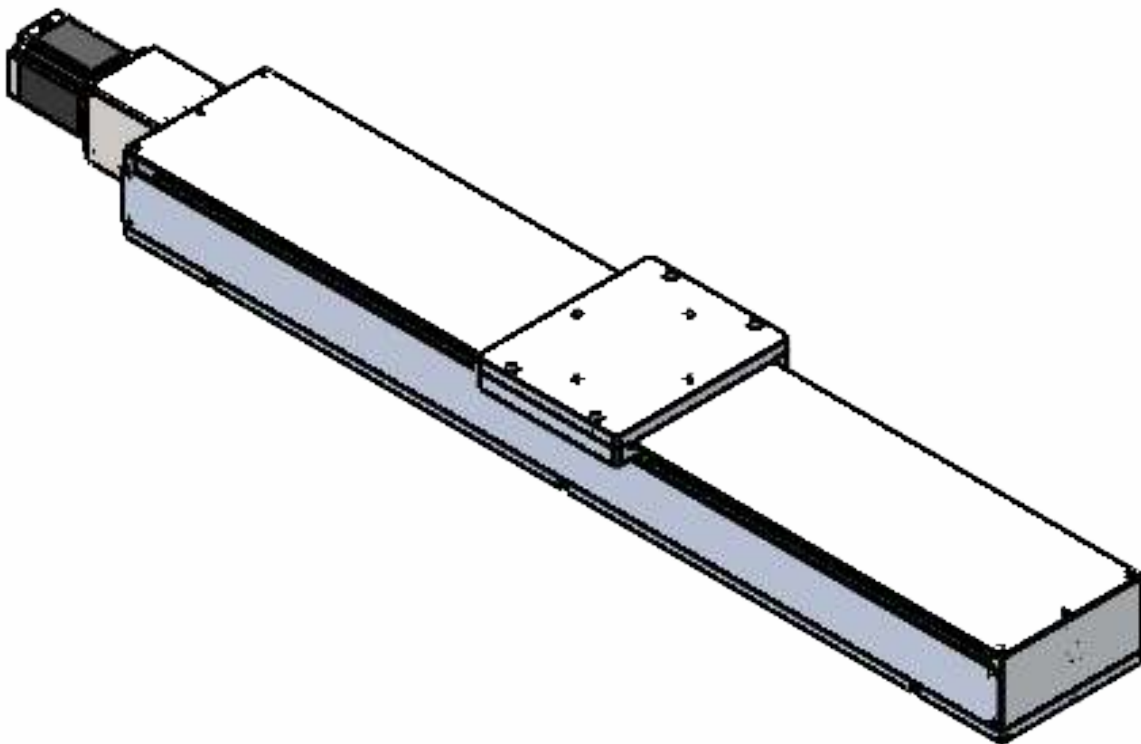
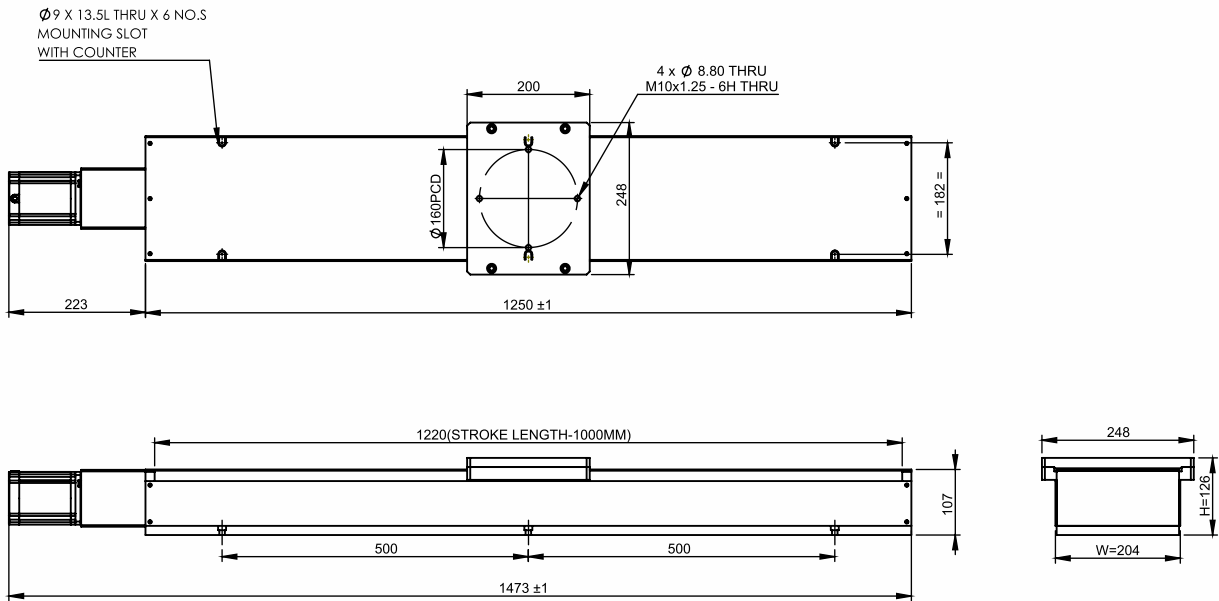
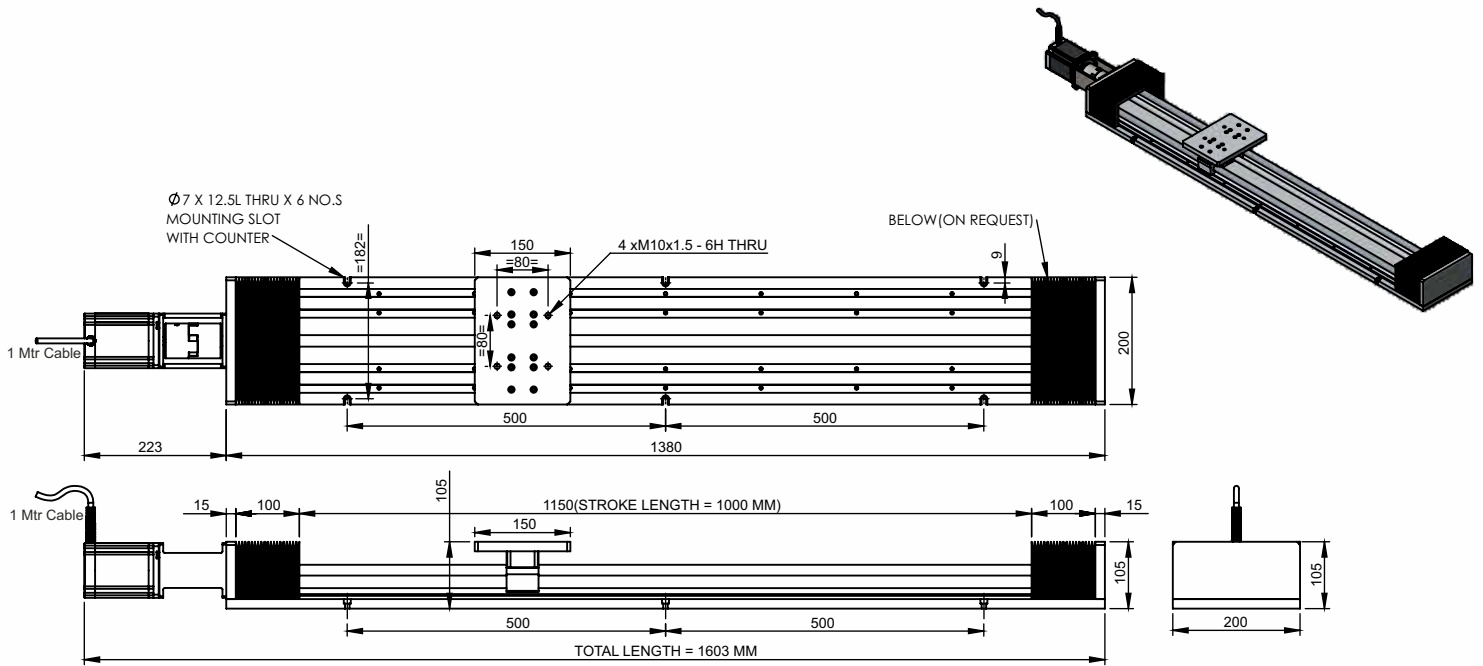


HIGH PRECISION X AXIS POSITIONING TABLE- LINEAR LEAD SCREW SLIDE



X SLIDE WITH SHEET METAL COVER

HIGH PRECISION X AXIS POSITIONING TABLE- LINEAR LEAD SCREW SLIDE



Stepper Drive
BH-SMART-6A
 Weight :- 350 gm
 Qty 01 Nos



Power Supply
BH-72VDC
 Weight :- 4.6KG
 Qty 01 Nos



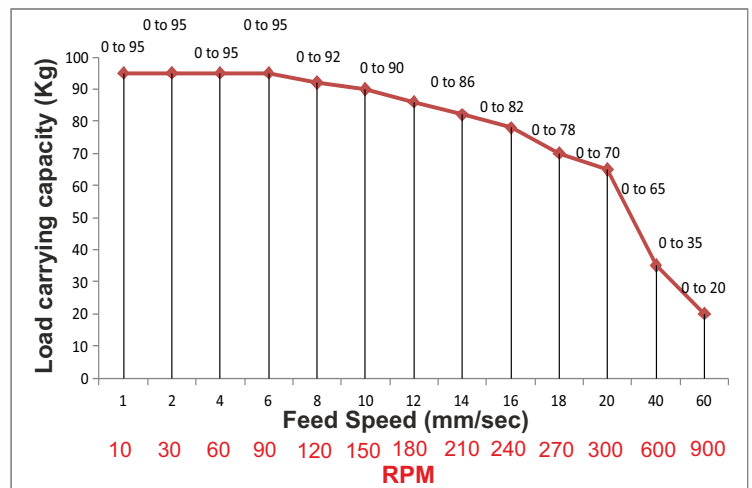
Stepper Drive Controller
BH-SDC-01-N
 Weight :- 0.3 KG
 Qty 01 Nos



TECHNICAL DATA

| SPECIFICATION Model no BHLS-XSLIDE-1000(M+E) | | |
|--|------------------------------------|----------------|
| 1 | Maximum load carrying capacity(kg) | 95 |
| 2 | Permissible Feed Speed | 0 to 60 mm/sec |
| 3 | Positioning Accuracy (mm) | ≤ 0.05 |
| 4 | Degree Of protection | IP 40 |
| 5 | Total Weight of slide (KG) | 55 |
| 6 | Total Weight of slide (KG) | 63.5 |

Note:- The Load Calculation is Based On Horizontal Movement. For Vertical Movement Kindly Consider Safety Factor Of 0.6 And Motor With Brake.



Bholanath Precision Engineering Pvt.Ltd.

11, Kembros Ind.Estate , Sonapur Lane , Bhandup (W), Mumbai - 400078.
 Telefax/Phone : 25662856/25664338/67993260 Email : support@bholanath.in
 Mobile No : 9920903825/9821671733/9930514603/9819515543/9323166582.