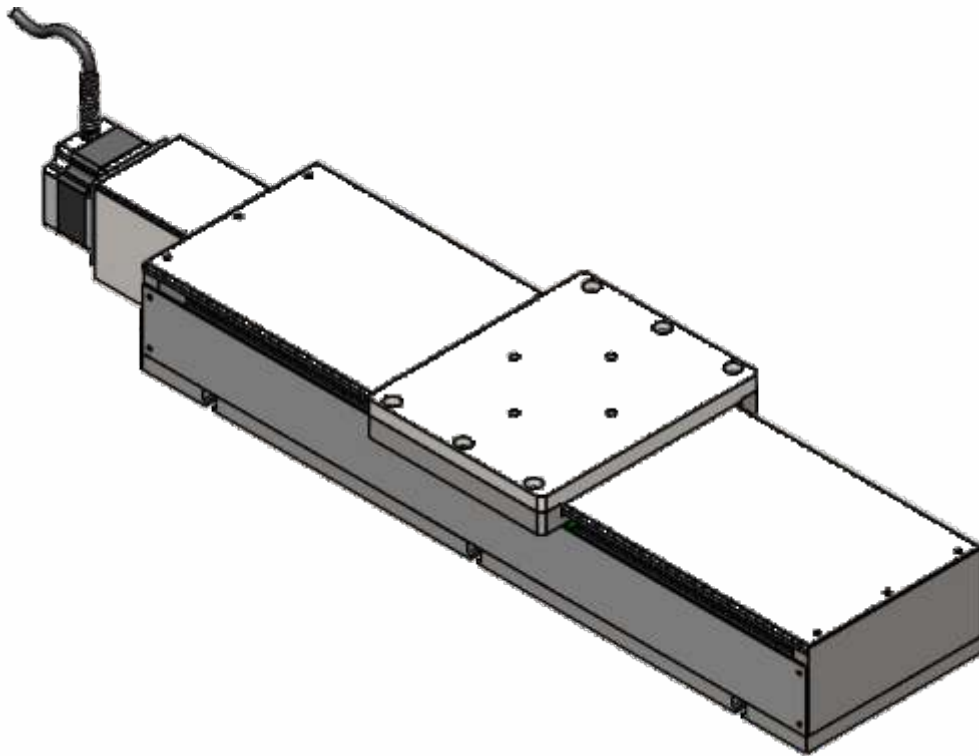
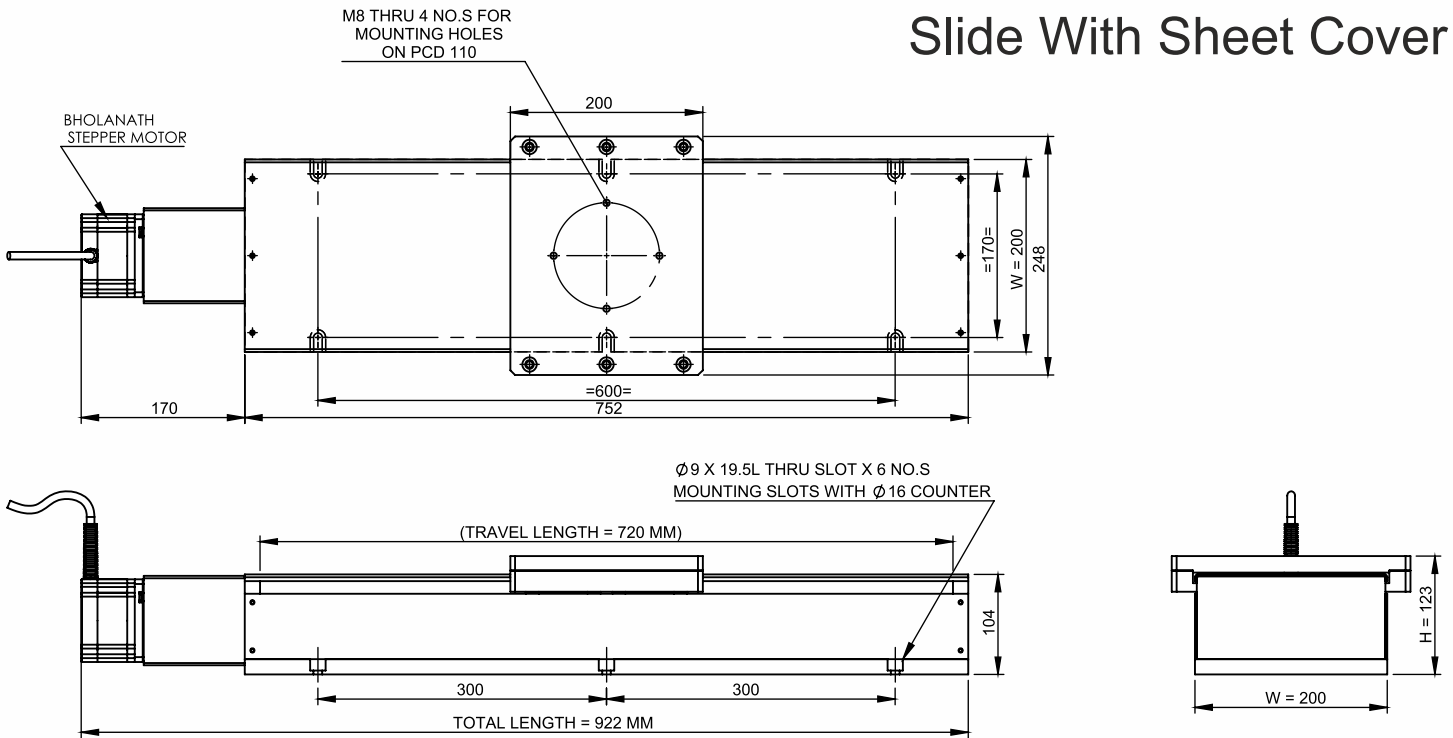
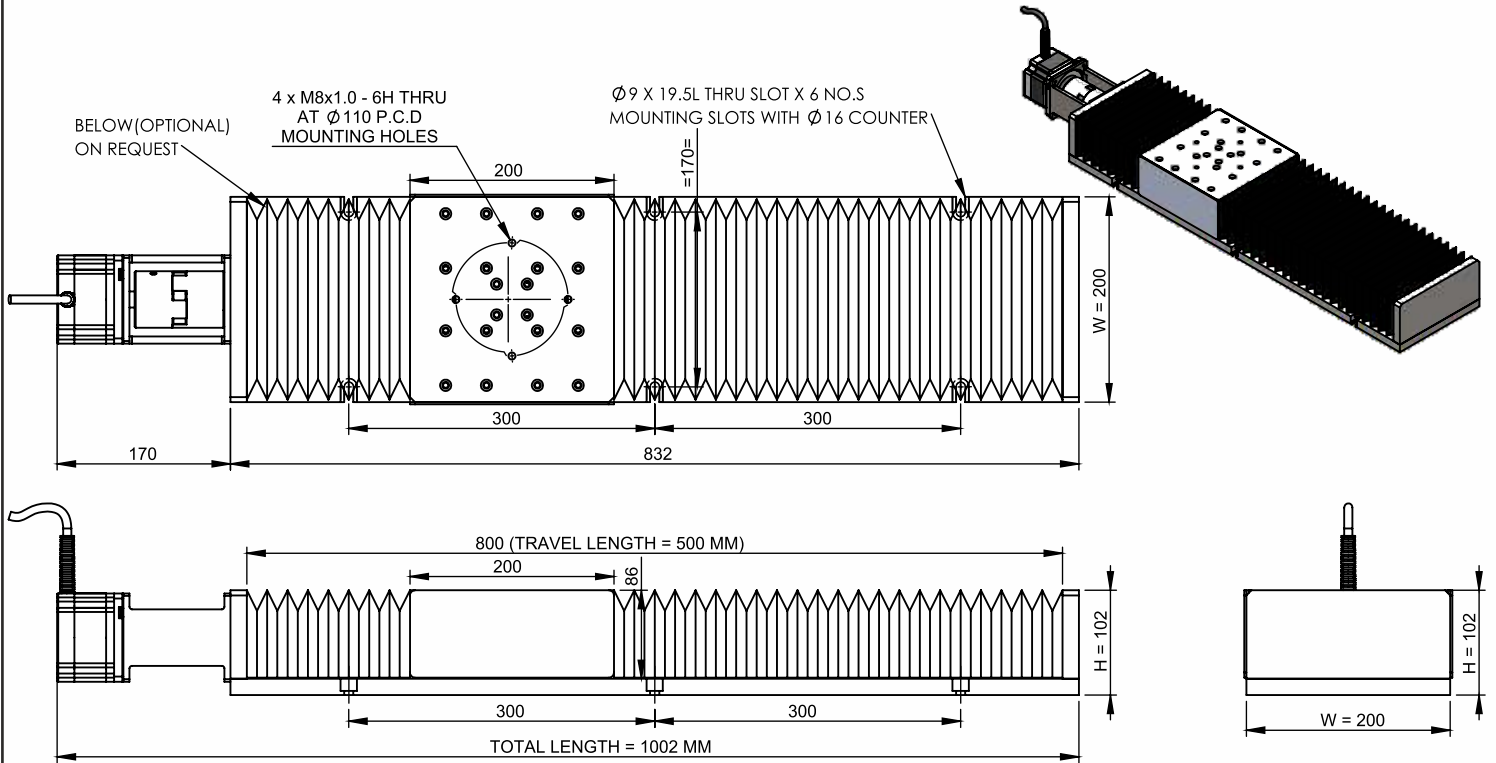


**Slide With Sheet Cover**



**X SLIDE WITH SHEET METAL COVER**

# HIGH PRECISION X -Y AXIS POSITIONING TABLE-LINEAR BALL SCREW SLIDE



## Slide with Bellow Cover

**Stepper Drive**  
BH-SMART-4.5A  
Weight :- 350 gm  
Qty 01 Nos



**Stepper Drive Controller**  
BH-SDC-01-N  
Weight :- 0.3 KG  
Qty 01 Nos



**Power Supply**  
BH-48VDC  
Weight :- 3 KG  
Qty 01 Nos



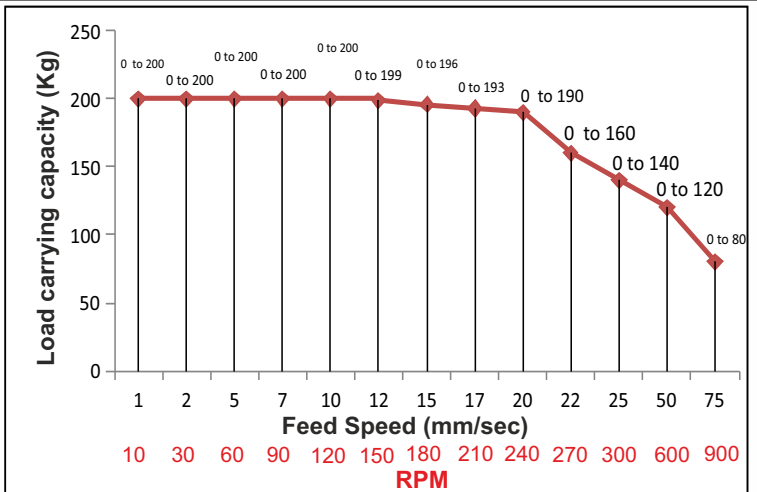
**Two Drive Control Panel**  
Weight :- 10 KG  
Qty 01 Nos



## TECHNICAL DATA

SPECIFICATION Model No BHBS-XSLIDE-500(M+E+P)		
1	Maximum load carrying capacity(kg)	200
2	Permissible Feed Speed	0 to 75 mm/sec
3	Positioning Accuracy (mm)	≤ 0.02
4	Degree Of protection	IP 40
5	Total Weight of slide (KG)	40
6	Total Weight of systems (KG)	62

**Note:-** The Load Calculation is Based On Horizontal Movement. For Vertical Movement Kindly Consider Safety Factor Of 0.6 And Motor With Brake.



## Bholanath Precision Engineering Pvt.Ltd.

1002 Opposite Old Passport Office, Wagle Estate, MIDC, Thane West - 400604.India.

Tel Nos - 91 - 22 - 69181700 (100 Lines) / 9821671733

Mobile No : 9920903825/9821671733/9930514603/9819515543/9323166582.

Email Id - support@bholanath.in/ nisha.k@bholanath.in

Website - www.bholanath.in