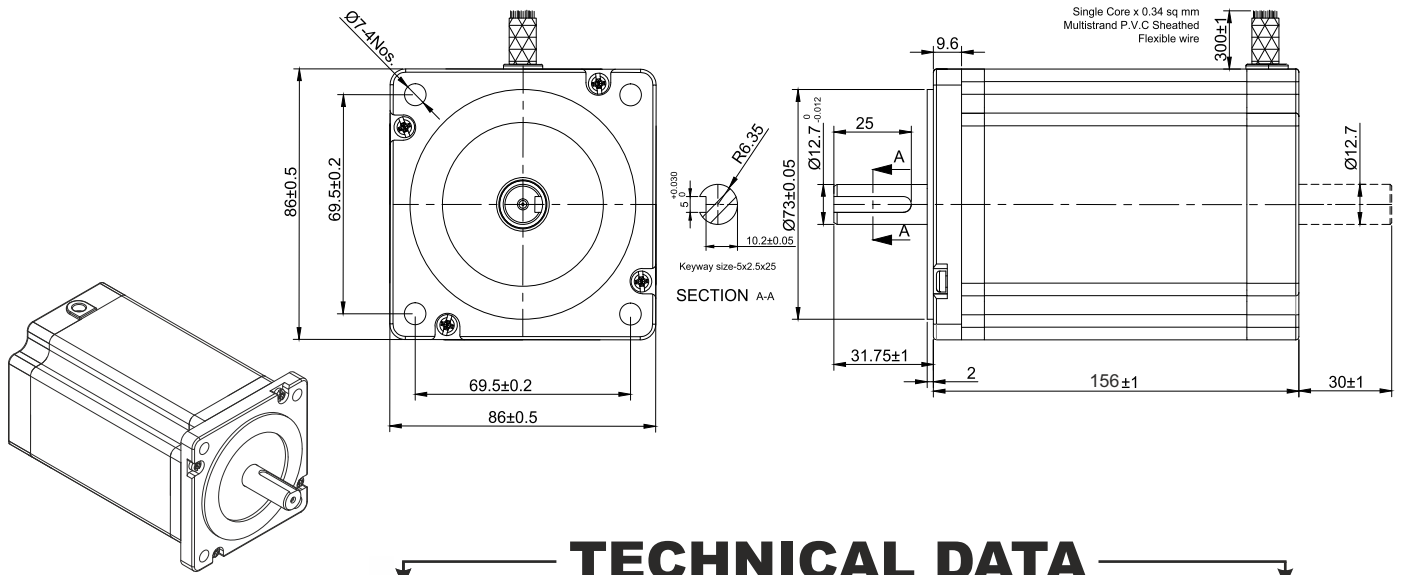
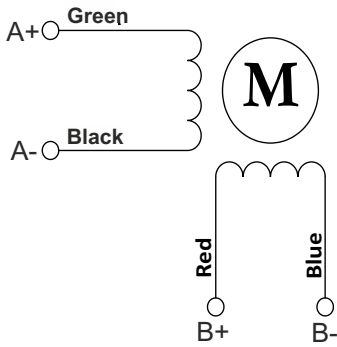


SPECIFICATION SHEET
Bholanath

STEPPER MOTOR
BH86 SH 156 - 6204AK
HIGH TORQUE HYBRID

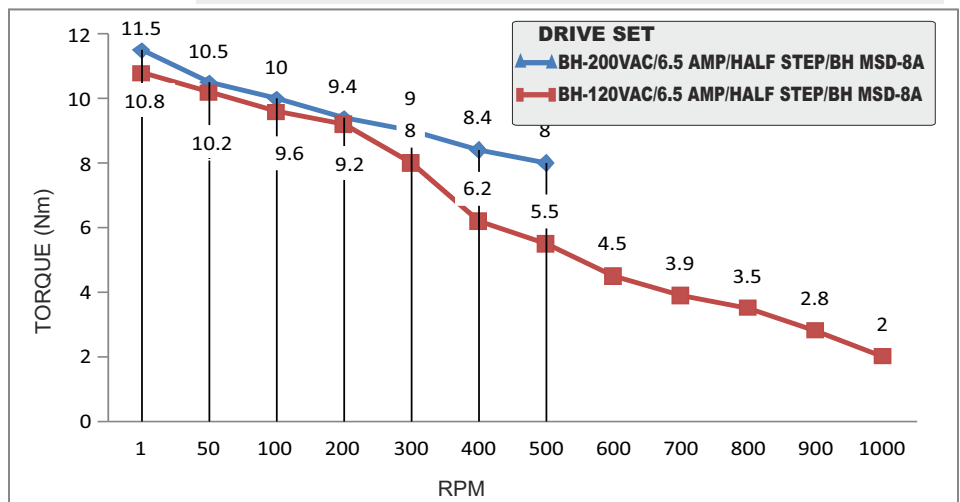


TECHNICAL DATA



| SPECIFICATION | | BH 86SH 156 - 6204 AK | |
|---------------|--------------------|-----------------------|----------|
| MODEL | | Bipolar | |
| 1 | Rated Voltage | V | 5.27 |
| 2 | Current / Phase | A | 6.2 |
| 3 | Resistance / Phase | ± 10% Ω | 0.85 |
| 4 | Inductance / Phase | ± 20% mH | 9.4 |
| 5 | Holding Torque | Nm | 18.0 |
| 6 | Rotor Inertia | G-CM ² | 5500 |
| 7 | Weight | KG. | 5.5 |
| 8 | No of Lead | N ⁰ | 4 |
| 9 | Operating Voltage | VDC | 24 - 140 |

| CHARACTERISTICS | |
|-----------------------|---|
| Step Angle | - 1.8° |
| Step Angle Accuracy | - ± 5% |
| Insulation Class | - H |
| Ambient Temperature | - - 20°C + 50°C |
| Temperature Rise | - 80°C Max. (Rated Current Phase 2 ON) |
| Insulation Resistance | 100 M Ohms Min.500 VDC |
| Dielectric Strength | 820 VAC For One Minute |
| Shaft Radial Play | 0.02 Max. Play (450 G Load) |
| Shaft Axial Play | 0.08 Max. Play (450 G Load) |
| Max.Radial Force | 220 N (20MM From Front Flange) |
| Max.Axial Force | 60 N |



STEPPER MOTOR - BH86SH156-6204AK



Bholanath Precision Engineering Pvt.Ltd.

11,Kembros Ind.Estate , Sonapur Lane , Bhandup (W),Mumbai - 400078.
 Telefax/Phone : 25662856/25664338/67993260 Email : support@bholanath.in
 Mobile No : 9920903825/9821671733/9930514603/9819515543/9323166582.