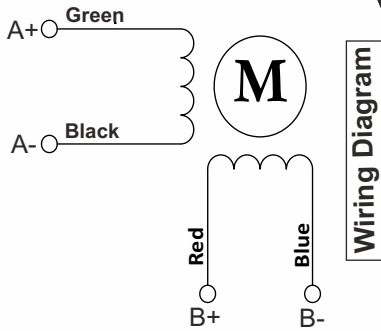
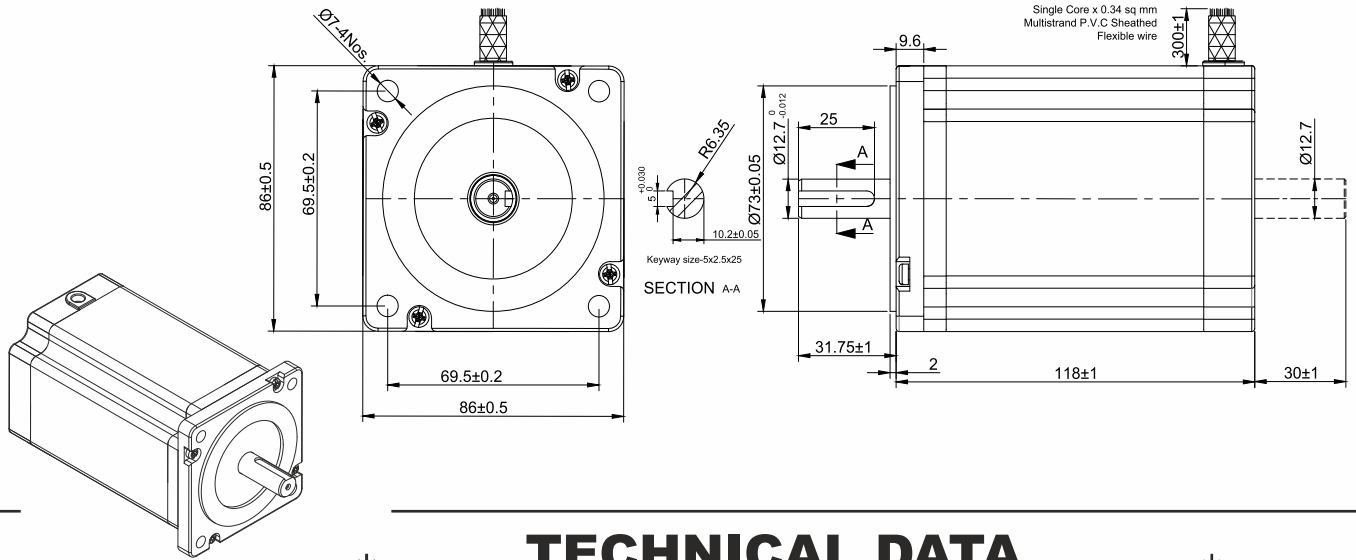


SPECIFICATION SHEET
Bholanath

STEPPER MOTOR
BH86 SH 118 - 6004AK
HIGH TORQUE HYBRID

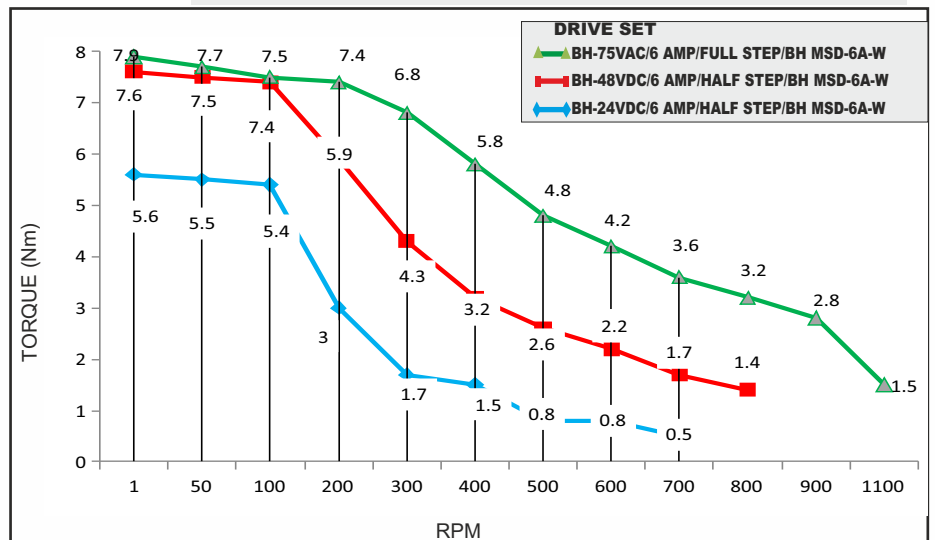


TECHNICAL DATA

SPECIFICATION		BH 86SH 118 - 6004 AK	
MODEL		Bipolar	
1	Rated Voltage	V	2.52
2	Current / Phase	A	6
3	Resistance / Phase	± 10% Ω	0.42
4	Inductance / Phase	± 20% mH	4.25
5	Holding Torque	Nm	8.70
6	Rotor Inertia	G-CM ²	2700
7	Weight	KG.	4
8	No of Lead	N ⁰	4
9	Operating Voltage	VDC	48 - 170
10	Operating Voltage	VAC	34 - 120

CHARACTERISTICS

Step Angle - 1.8°
Step Angle Accuracy - ± 3 Arc Minute
Insulation Class - H
Ambient Temperature -
Temperature Rise - 80°C Max. -20°C + 50°C (Rated Current Phase 2 ON)
Insulation Resistance 100 M Ohms Min. 500 VDC
Dielectric Strength 820 VAC For One Minute
Shaft Radial Play 0.02 Max. Play (450 G Load)
Shaft Axial Play 0.08 Max. Play (450 G Load)
Max.Radial Force 220 N (20MM From Front Flange)
Max.Axial Force 60 N



STEPPER MOTOR - BH86SH118- 6004 AK



Bholanath Precision Engineering Pvt.Ltd.

11,Kembros Ind.Estate , Sonapur Lane , Bhandup (W),Mumbai - 400078.
Telefax/Phone : 25662856/25664338/67993260 Email : support@bholanath.in
Mobile No : 9920903825/9821671733/9930514603/9819515543/9323166582.

BHOLANATH COOL STEPPERS™