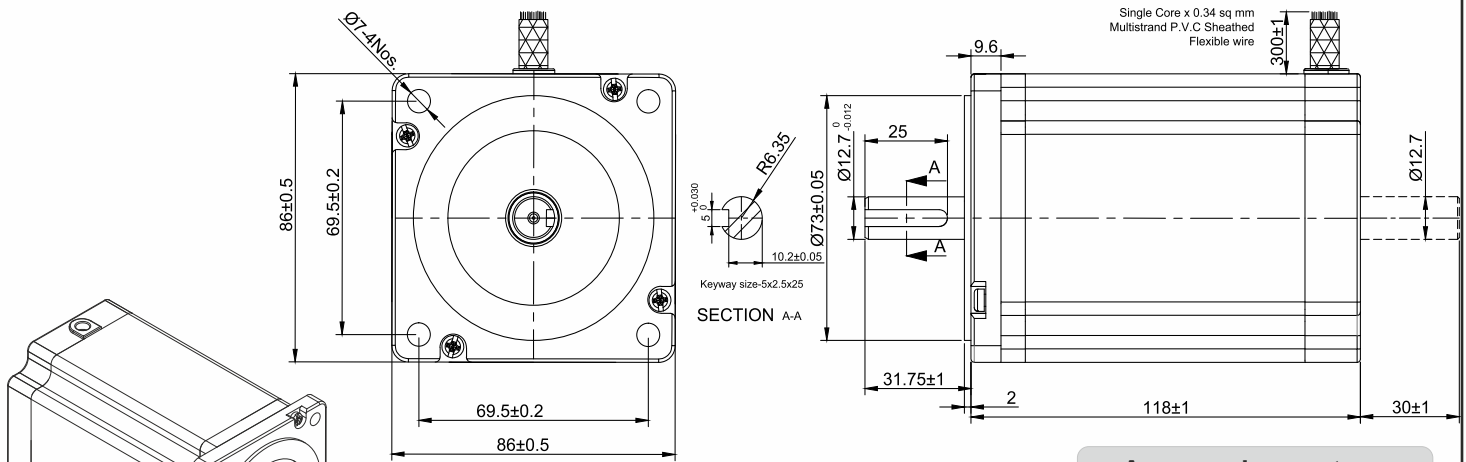


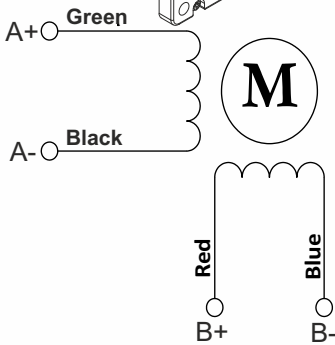
**SPECIFICATION SHEET**  
**Bholanath**

**STEPPER MOTOR**  
**BH86 SH 118 - 4004AK**  
**HIGH TORQUE HYBRID**



**Amendment**  
Inductance :- 4.5 mH to 7.2 mh

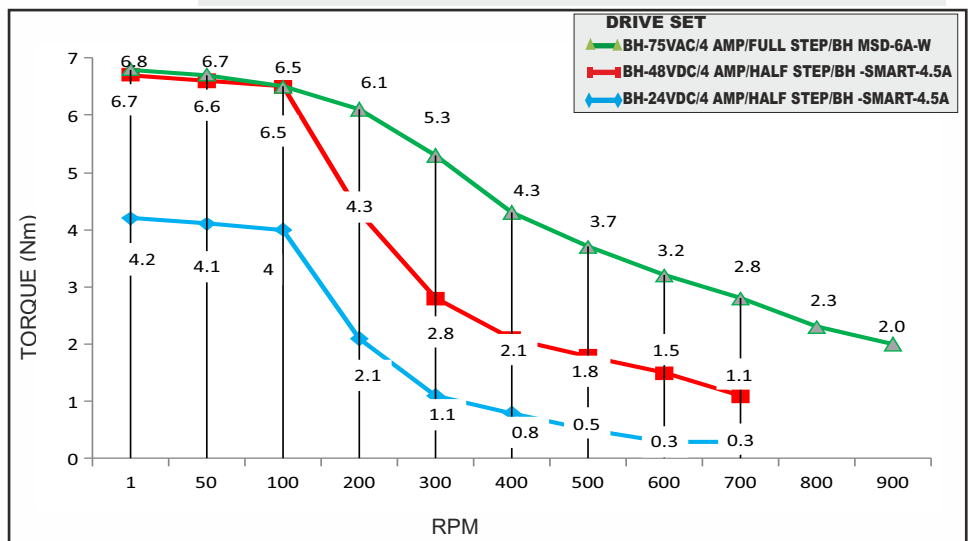
**TECHNICAL DATA**



Wiring Diagram

SPECIFICATION		BH 86SH 118 - 4004 AK	
MODEL		Bipolar	
1	Rated Voltage	V	3.08
2	Current / Phase	A	4
3	Resistance / Phase	± 10% Ω	0.77
4	Inductance / Phase	± 20% mH	7.2
5	Holding Torque	Nm	8.70
6	Rotor Inertia	G-CM <sup>2</sup>	2700
7	Weight	KG.	4
8	No of Lead	N <sup>o</sup>	4
9	Operating Voltage	VDC	48 - 170
10	Operating Voltage	VAC	34 - 120

CHARACTERISTICS
Step Angle - 1.8°
Step Angle Accuracy - ± 3 Arc Minute
Insulation Class - H
Ambient Temperature - - 20°C + 50°C
Temperature Rise - 80°C Max. ( Rated Current Phase 2 ON )
Insulation Resistance 100 M Ohms Min.500 VDC
Dielectric Strength 820 VAC For One Minute
Shaft Radial Play 0.02 Max. Play ( 450 G Load )
Shaft Axial Play 0.08 Max. Play ( 450 G Load )
Max.Radial Force 220 N ( 20MM From Front Flange )
Max.Axial Force 60 N



STEPPER MOTOR - BH86SH118- 4004 AK **Revised Date 27.02.2018**



**Bholanath Precision Engineering Pvt.Ltd.**

11,Kembros Ind.Estate , Sonapur Lane , Bhandup (W),Mumbai - 400078.  
Telefax/Phone : 25662856/25664338/67993260 Email : support@bholanath.in  
Mobile No : 9920903825/9821671733/9930514603/9819515543/9323166582.