

# SPECIFICATION SHEET

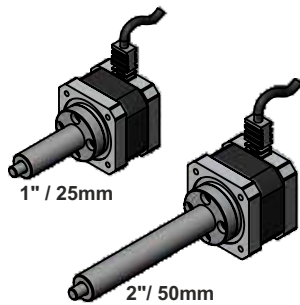
## Bholanath

### Integrated Captive Linear Actuator stepper motor

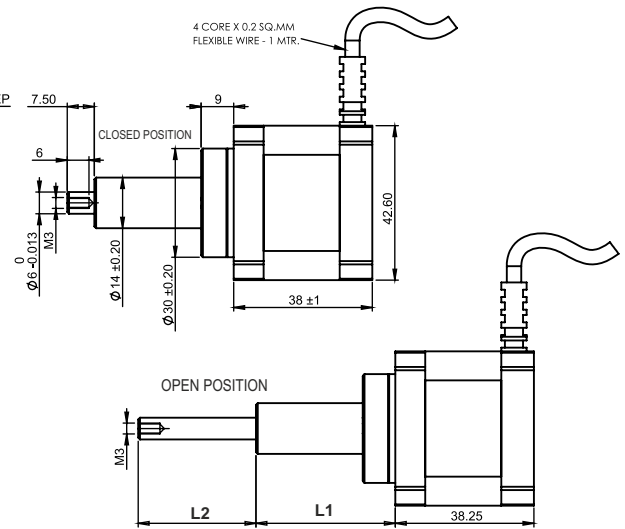
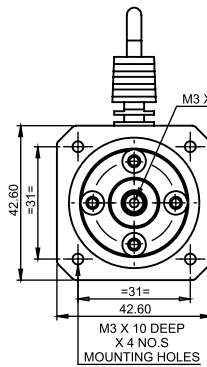
**BH 42 SH 38 - 1684 ICLA (25/50)**  
**(M6 X 1)**  
**HIGH TORQUE HYBRID**



COMMITTED TO PRECISION  
[www.bholanath.in](http://www.bholanath.in)



Travel Length (Inch/mm)	L1 (mm)	L2 (mm)
1" / 25mm	38.45	32.50
2" / 50mm	88.45	57.5



## TECHNICAL DATA

### CHARACTERISTICS

- Step Angle - 1.8°
- Step Angle Accuracy - ± 5%
- Insulation Class - H
- Ambient Temperature - (- 20°C to + 50°C)
- Temperature Rise - 80°C Max. ( Rated Current Phase 2 ON )
- Insulation Resistance  
100 M Ohms Min.500 VDC
- Dielectric Strength  
500 VAC For One Minute

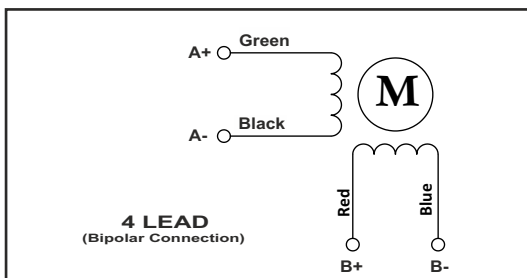
### SPECIFICATION

**BH 42 SH 38 - 1684 ICLA (25/50)**  
**(T6 X 1)**

	MODEL	Bipolar
1	Current / phase	A
2	Max Horizontal Load Carrying Capacity (Kg)	1.68
3	Permissible Feed Speed (mm/sec)	5.0
4	Position Accuracy (mm)	15
5	Degree of protection (IP rating)	0.05
6	Linear Step Size at full step (Micron)	30
7	Operating voltage (VDC)	5
8	Max Axial play (mm)	12 to 24
9	Total Weight of ICLA (Gm)	± 0.05
		400

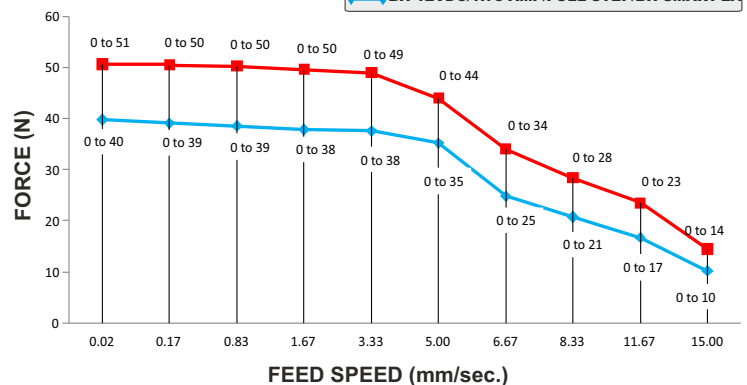
**Note:-** The Load Calculation is Based On Horizontal Movement. For Vertical Movement Kindly Consider Safety Factor Of 0.6 And Motor With Brake.

### Wiring Diagram



### DRIVE SET

- BH-24VDC/1.75 AMP/FULL STEP/BH SMART-2A
- BH-12VDC/1.75 AMP/FULL STEP/BH-SMART-2A



# Bholanath Precision Engineering Pvt.Ltd.

11, Kembros Ind.Estate, Sonapur Lane, Bhandup (W), Mumbai - 400078.

Telefax/Phone : 25662856/25664338/67993260 Email : support@bholanath.in

Mobile No : 9920903825/9821671733/9930514603/9819515543/9323166582.