

BHOLANATH ROD STYLE LINEAR ACTUATORS(ERSLA)

RSLA- IP - Inline motor high speed RSLA (For pneumatic application)
Patented technology, Stepper motor based, Programmable

Model no - BH-ERSLA-IP-720N-300

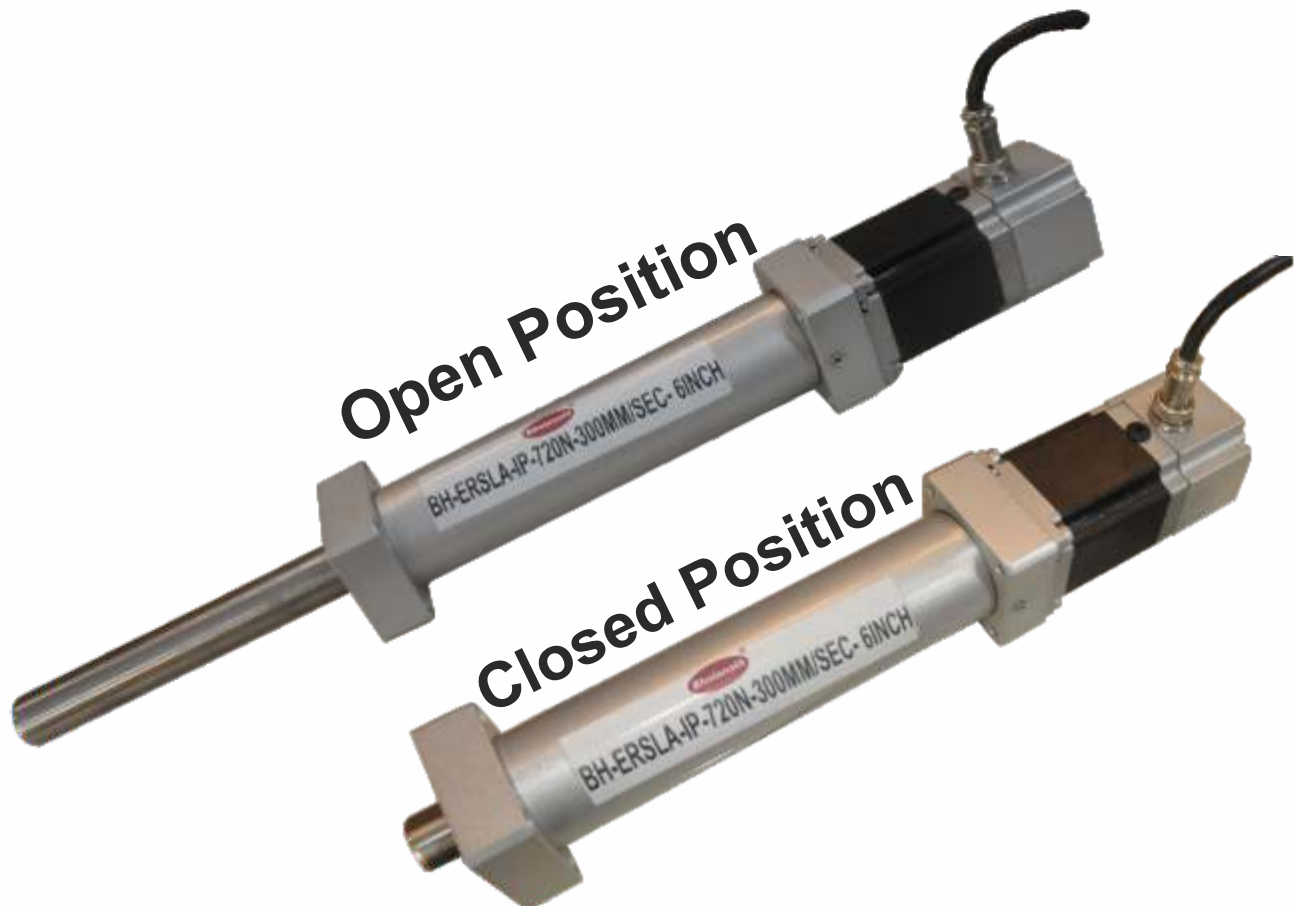
Efficient and economical rod style motorized linear actuators for wide variety of applications - Door and Window opening /closing, gate applications, Hospital beds, Dental chairs, home and kitchen automation, office automation, warehouse automation, assembly line plant and machinery automation packaging line automation etc.

Bholanath electric actuators are available in ready to use with inbuilt stepper driver & controller. The controller is an patented advance technology which includes stepper motor driver and programming logic control and is inbuilt in the **ERSLA -I**. There is no need of limit switches for end limits.

To watch videos kindly click on below youtube links or scan the QR codes

Youtubelink

https://www.youtube.com/watch?v=_KecxMdMI3g



Standard Features -

Motor - **Stepper Motor**

Nema size - **23**

Control Signal- **Digital Pulse & direction(5Vdc)**

Positional accuracy- **0.05mm**

Operating Voltage - **48VDC**

Wattage - **135 W**

Force - **720N**

Vertical load lift capacity -**1.5Kg**

Horizontal load push - pull capacity - **3Kg**

Feed speed - **300mm/sec (Different feed speed available on request)**

Stroke Length - **2 inch, 4 inch, 6 inch, 8 inch, 10 inch, 12 inch.**

Piston rod diameter -**16mm**

Protection class - **IP 30**

Duty Cycle - **25%**

Ambient operating temperature - **-10 deg celcius to +45 deg celcius**

Ball screw/Lead screw - **Lead Screw**

Life -**1250 Hours.**

Total weight Of ERSLA- **2.3 Kg**

Optional Features

1) Inbuilt Controller programing option

This is a programmed fixed feed speed, ready to use, with single phase supply (230VAC/110VAC).

Single switch or double switch with power supply, 1 mtr cable and single phase 230VAC/110VAC input.

- i) Single switch mode (BH-S1-FL) (S1) finite length movement :-** Pressing the switch S1 the Rsla will move outword to the full travel length, 2nd pressing (S1) the ERSLA will move back to home position
- ii) Double switch mode(BH-S1,S2-FL) :-** (S1,S2) finite length movement :- Pressing the switch S1 the ERSLA will move outword to the full travel length, 2nd pressing (S2) the ERSLA will will move back to home position
- iii) Double switch mode(BH-S1,S2-UL) (S1,S2) :-** Adjustable movement :- Pressing switch (S1), ERSLA will move in outword direction. Pressing switch S2 the ERSLA will move to word home position . Releasing switch S1 or S2 will stop the ERSLA movement.

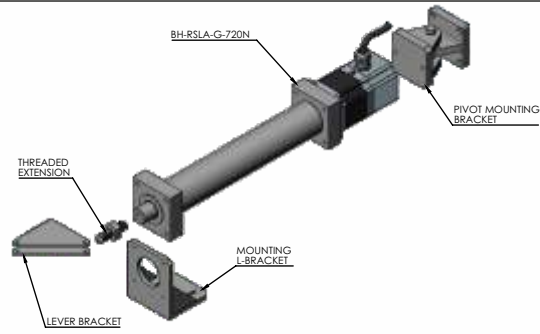


Inline Rod Style Linear Actuator

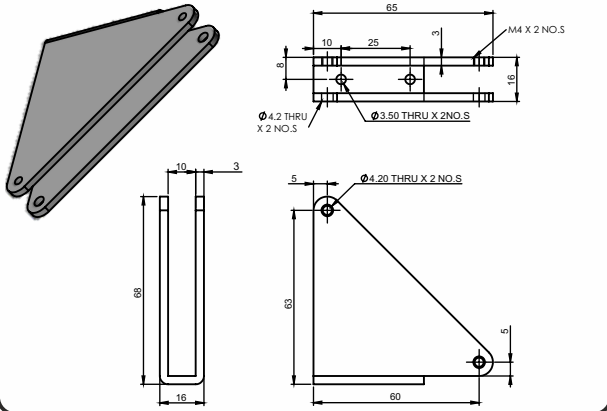
Accessories

ISOMETRIC VIEW

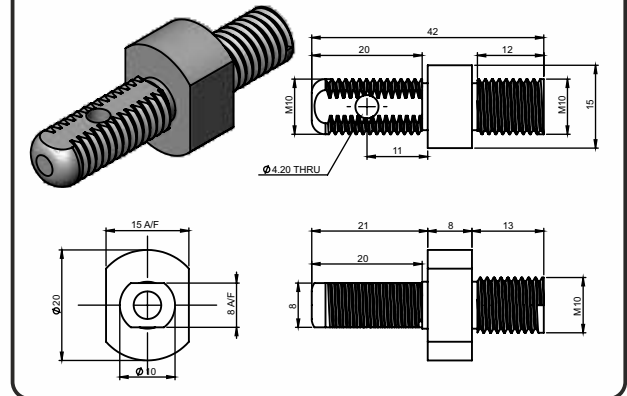
RSLA with matching Accessories



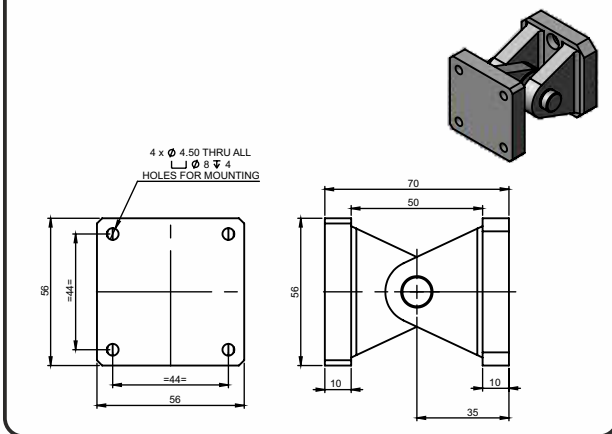
Nema 23 Lever Bracket (BH57-LB)



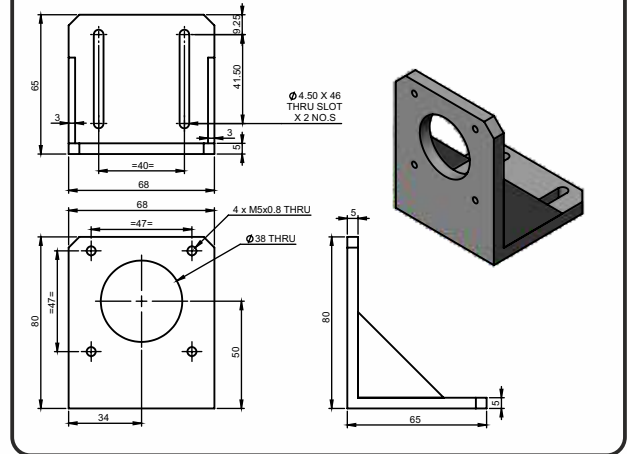
Nema 23 Thread Extension (BH57-TE)



Nema 23 Pivot Joint Bracket (BH57-PJB)



Nema 23 Mounting L - Bracket (BH57-MB)



Guide Rod (BH57-GR)

