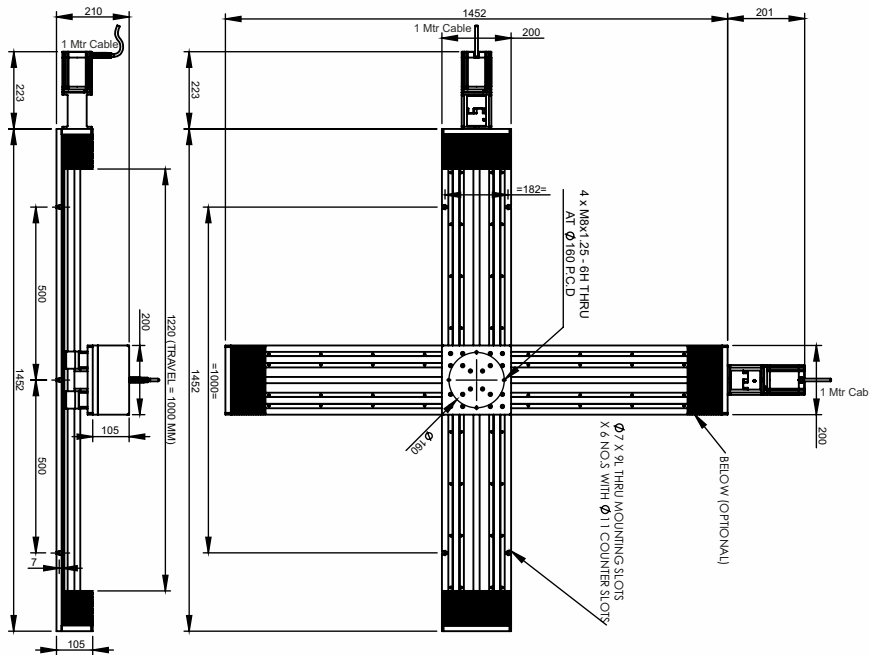


**SPECIFICATION SHEET**  
**Bholanath**

**X-Y AXIS POSITIONING TABLE**  
**BHLS-X-Y SLIDE-1000(M)**



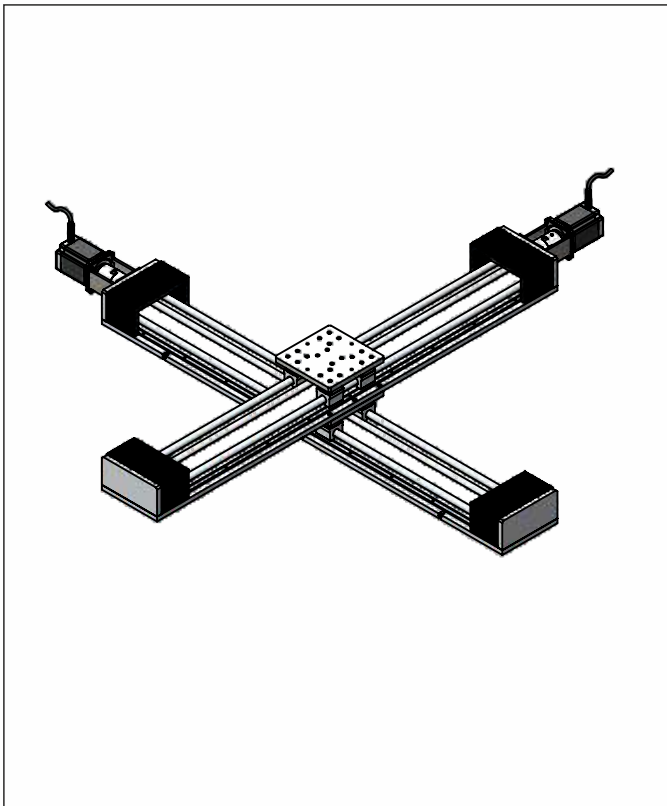
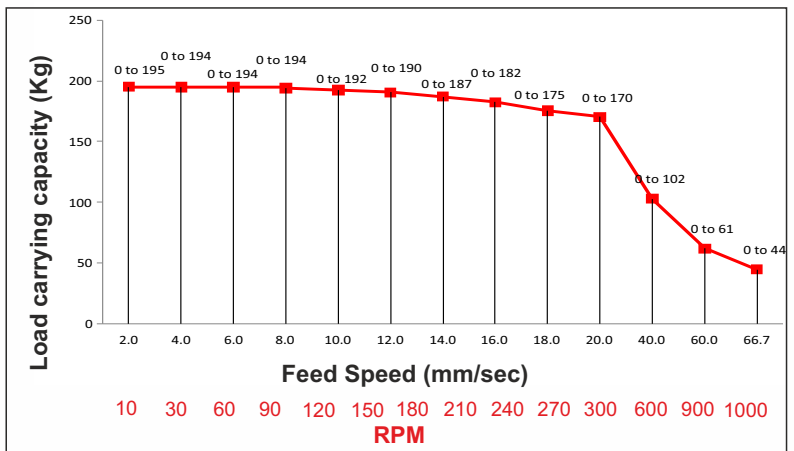
**HIGH PRECISION X-Y AXIS POSITIONING TABLE- LINEAR LEAD SCREW SLIDE**



**TECHNICAL DATA**

SPECIFICATION Model no BHLS-X-Y SLIDE-1000(M)		
1	Maximum load carrying capacity(kg)	0 to 195
2	Permissible Feed Speed	0 to 66 mm/sec
3	Positioning Accuracy (mm)	≤ 0.05
4	Degree Of protection	IP 40
5	Total Weight of slide (KG)	150

**Note:-** The Load Calculation is Based On Horizontal Movement. For Vertical Movement Kindly Consider Safety Factor Of 0.6 And Motor With Brake.



**Bholanath Precision Engineering Pvt.Ltd.**

11,Kembros Ind.Estate , Sonapur Lane , Bhandup (W),Mumbai - 400078.  
Telefax/Phone : 25662856/25664338/67993260 Email : support@bholanath.in  
Mobile No : 9920903825/9821671733/9930514603/9819515543/9323166582.