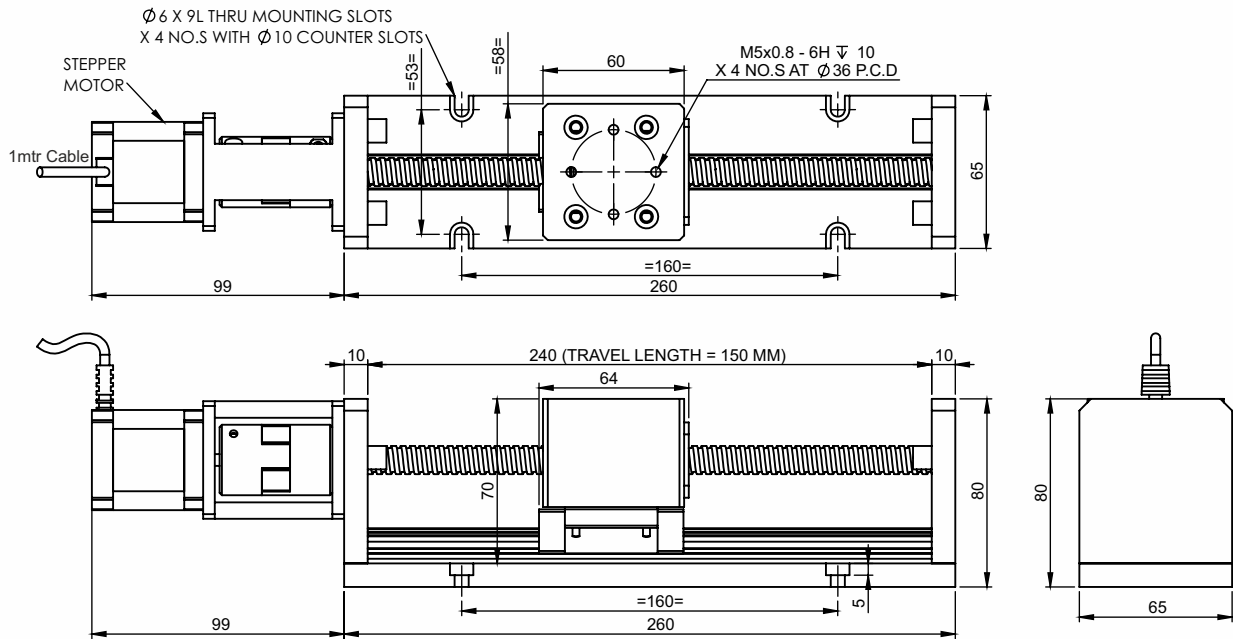


HIGH PRECISION X AXIS POSITIONING TABLE - LINEAR BALL SCREW SLIDES



TECHNICAL DATA

SPECIFICATION Model no BHBS-LLHS- X-SLIDE-150 (M)

1	Maximum load carrying capacity(kg)	17
2	Permissible Feed Speed	0 to 150 mm/sec
3	Positioning Accuracy (mm)	≤ 0.02
4	Degree Of protection	IP 40
5	Total Weight of slide (KG)	2.8

Note:- The Load Calculation is Based On Horizontal Movement. For Vertical Movement Kindly Consider Safety Factor Of 0.6 And Motor With Brake.

