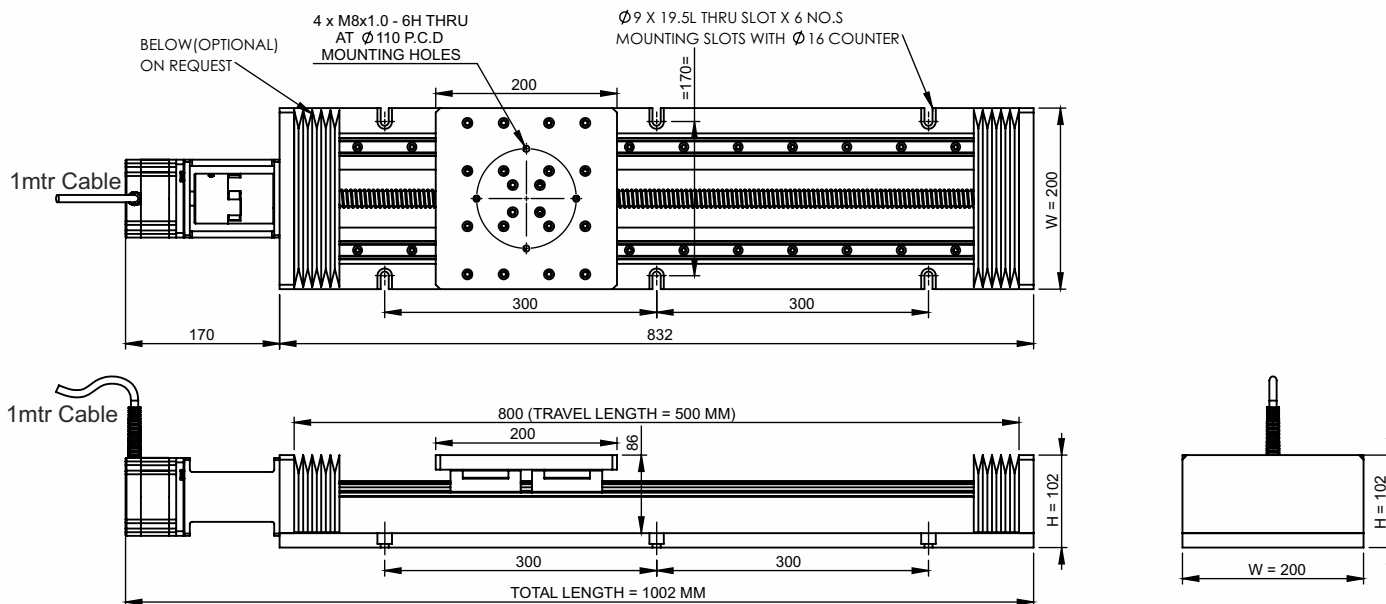


SPECIFICATION SHEET
Bholanath

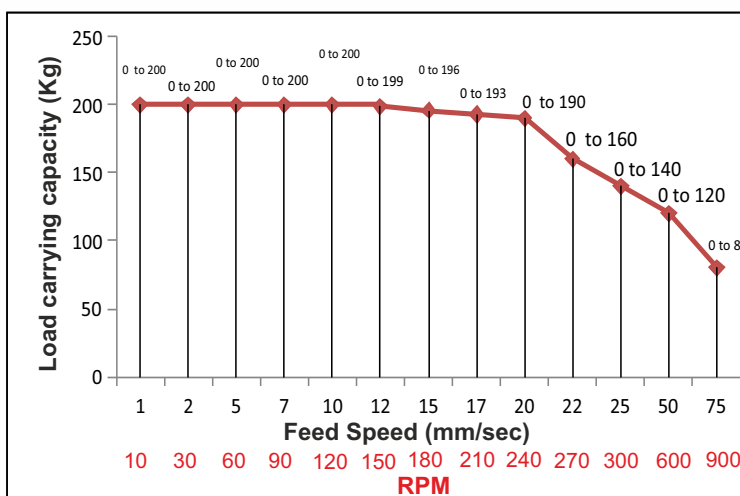
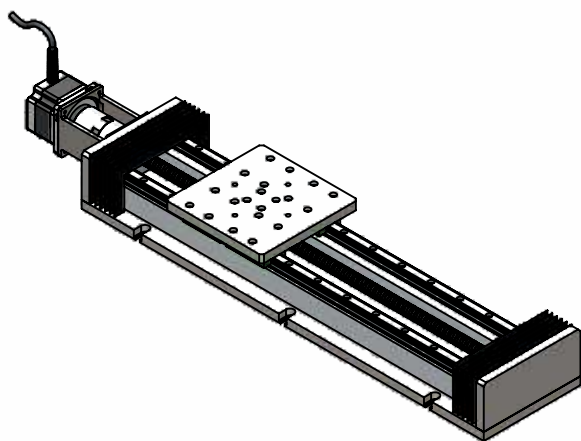
X AXIS POSITIONING TABLE
BHBS-XSLIDE-500-M



TECHNICAL DATA

SPECIFICATION Model No		BHBS-XSLIDE-500-M
1	Maximum load carrying capacity(kg)	200
2	Permissible Feed Speed	0 to 75 mm/sec
3	Positioning Accuracy (mm)	≤ 0.02
4	Degree Of protection	IP 40
5	Total Weight of slide (KG)	40

Note:- The Load Calculation is Based On Horizontal Movement. For Vertical Movement Kindly Consider Safety Factor Of 0.6 And Motor With Brake.



Bholanath Precision Engineering Pvt.Ltd.

11, Kembros Ind.Estate , Sonapur Lane , Bhandup (W), Mumbai - 400078.
 Telefax/Phone : 25662856/25664338/67993260 Email : support@bholanath.in
 Mobile No : 9920903825/9821671733/9930514603/9819515543/9323166582.