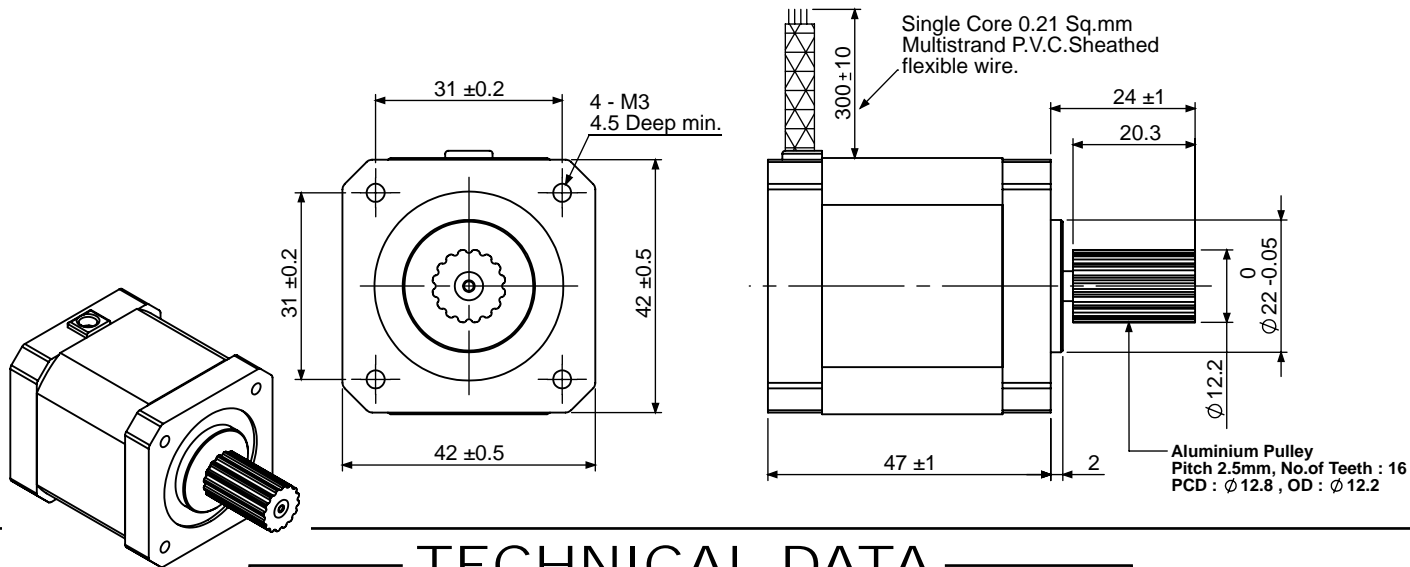


SPECIFICATION SHEET
Bholanath

STEPPER MOTOR
BH42 SH 47 - 1004A
HIGH TORQUE HYBRID



TECHNICAL DATA

CHARACTERISTICS

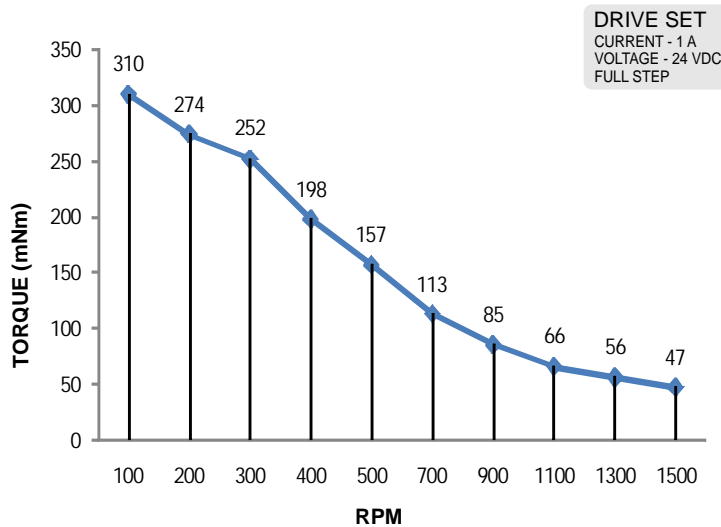
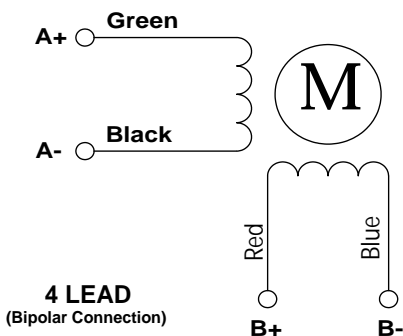
- Step Angle - 1.8°
- Step Angle Accuracy - ± 5%
- Insulation Class - H
- Ambient Temperature - (- 20°C to + 50°C)
- Temperature Rise - 80°C Max. (Rated Current Phase 2 ON)
- Insulation Resistance
100 M Ohms Min. 500 VDC
- Dielectric Strength
500 VAC For One Minute
- Shaft Radial Play
0.02 Max. Play (450 G Load)
- Shaft Axial Play
0.08 Max. Play (450 G Load)
- Max.Radial Force
28 N (20MM From Front Flange)
- Max.Axial Force
10 N

SPECIFICATION

BH 42 SH 47 - 1004 A

	MODEL	Bipolar	
1	Rated Voltage	V	7.8
2	Current / Phase	A	1
3	Resistance / Phase	± 10% Ω	7.8
4	Inductance / Phase	± 20% mH	9.5
5	Holding Torque	Nm	0.42
6	Rotor Inertia	G-CM ²	68
7	Weight	KG.	0.365
8	No of Lead	N ^o	4
9	Operating Voltage	VDC	24 - 42

Wiring Diagram



Bholanath Precision Engineering Pvt.Ltd.

11, Kembros Ind.Estate, Sonapur Lane, Bhandup (W), Mumbai - 400078.
 Telefax/Phone : 25662856/25664338/67993260 Email : support@bholanath.in
 Mobile No : 9920903825/9821671733/9930514603/9819515543/9323166582.