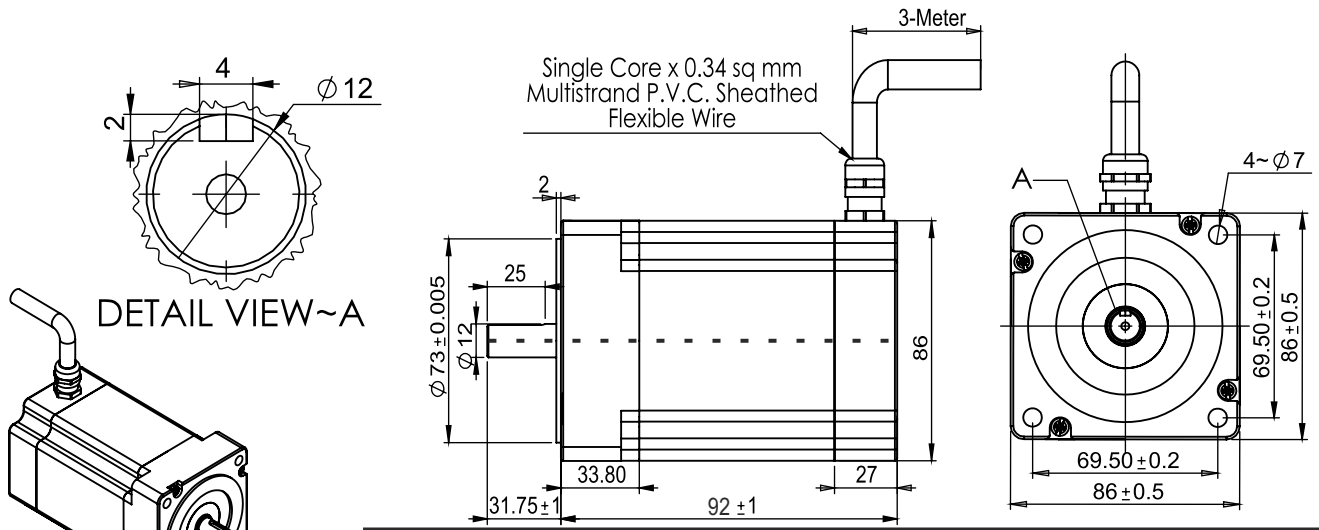
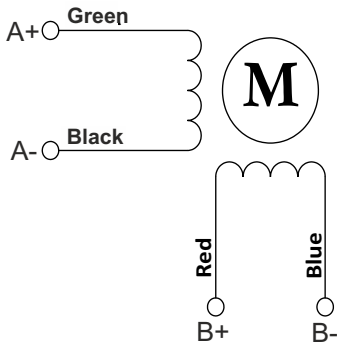


SPECIFICATION SHEET
Bholanath

STEPPER MOTOR
BH86 SH 92 - 6004AKS-SZ
HIGH TORQUE HYBRID

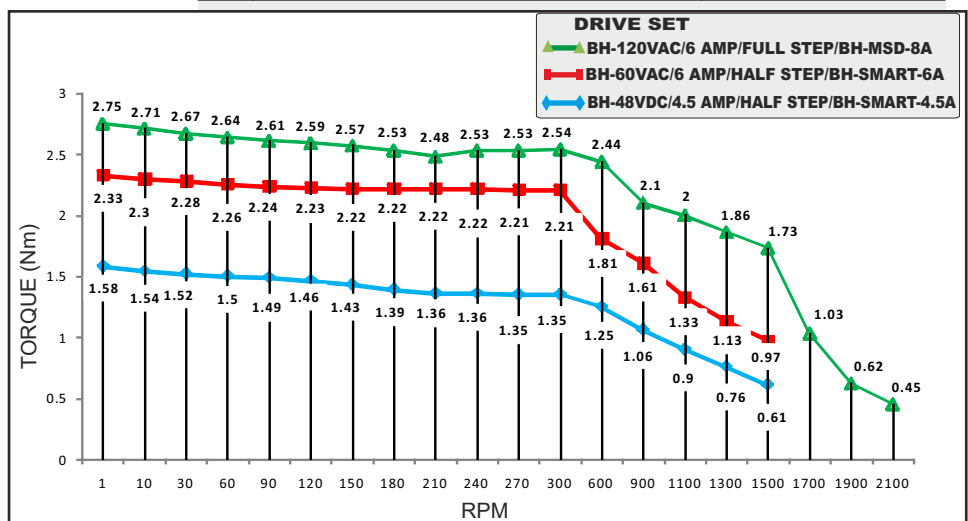


TECHNICAL DATA



SPECIFICATION BH86SH92 - 6004 AKS-SZ			
MODEL		Bipolar	
1	Rated Voltage	V	1.86
2	Current / Phase	A	6.0
3	Resistance / Phase	± 10% Ω	0.31
4	Inductance / Phase	± 20% mH	1.35
5	Holding Torque	Nm	2.74
6	Rotor Inertia	G-CM ²	1000
7	Weight	KG.	1.85
8	No of Lead	N ^o	4
9	Operating Voltage	VDC	48 - 170
10	Operating Voltage	VAC	34 - 120

CHARACTERISTICS
Step Angle - 1.8°
Step Angle Accuracy - ± 3 Arc Minute
Insulation Class - H
Ambient Temperature - - 40°C + 50°C
Temperature Rise - 80°C Max. (Rated Current Phase 2 ON)
Insulation Resistance 100 M Ohms Min.500 VDC
Dielectric Strength 820 VAC For One Minute
Shaft Radial Play 0.02 Max. Play (450 G Load)
Shaft Axial Play 0.08 Max. Play (450 G Load)
Max.Radial Force 220 N (20MM From Front Flange)
Max.Axial Force 60 N



STEPPER MOTOR - BH86SH92-6004AKS-SZ



Bholanath Precision Engineering Pvt.Ltd.

11,Kembros Ind.Estate , Sonapur Lane , Bhandup (W),Mumbai - 400078.

Telefax/Phone : 25662856/25664338/67993260 Email : support@bholanath.in

Mobile No : 9920903825/9821671733/9930514603/9819515543/9323166582.