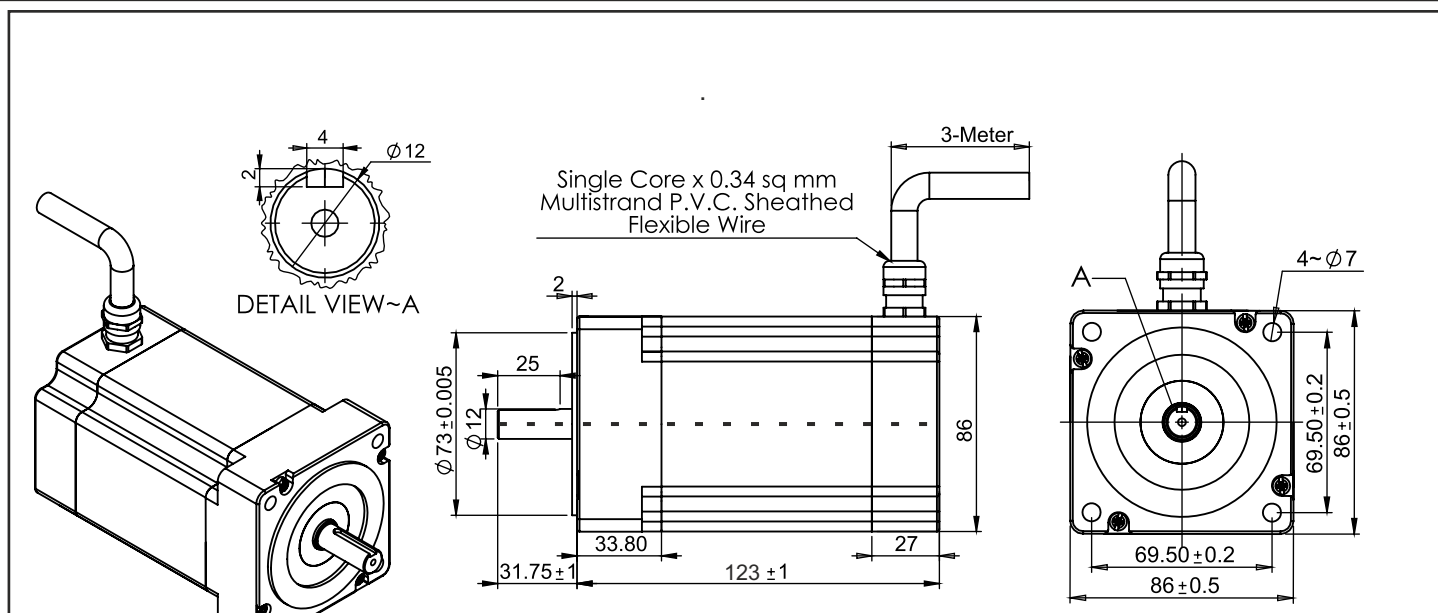
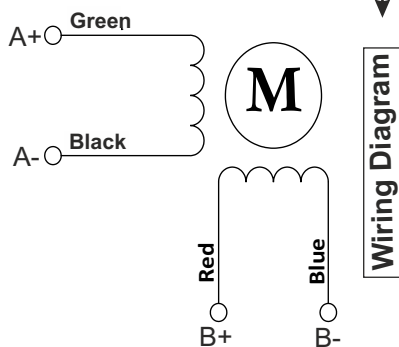


**SPECIFICATION SHEET**  
**Bholanath**

**STEPPER MOTOR**  
**BH86 SH 123 - 2004AKS-SZ**  
**HIGH TORQUE HYBRID**

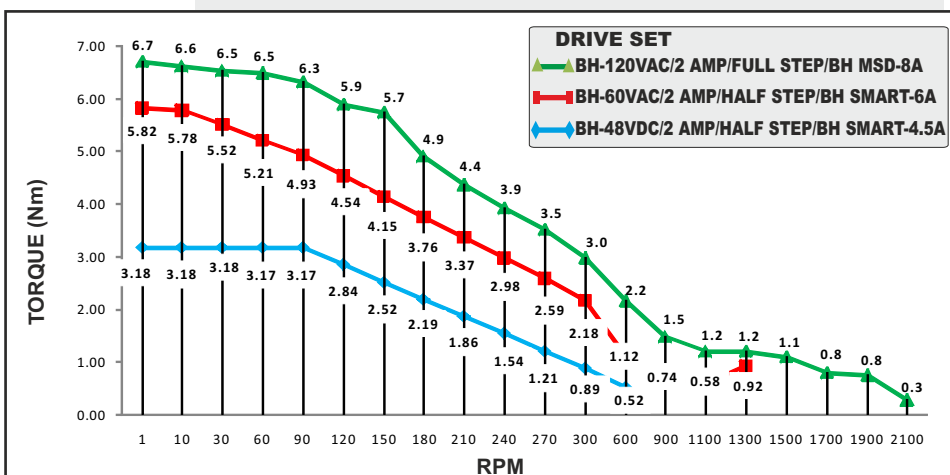


**TECHNICAL DATA**



SPECIFICATION BH86SH123 - 2004 AKS-SZ			
MODEL		Bipolar	
1	Rated Voltage	V	7.52
2	Current / Phase	A	2
3	Resistance / Phase	± 10% Ω	3.76
4	Inductance / Phase	± 20% mH	30
5	Holding Torque	Nm	7.44
6	Rotor Inertia	G-CM <sup>2</sup>	2700
7	Weight	KG.	3.1
8	No of Lead	N <sup>o</sup>	4
9	Operating Voltage	VDC	48 - 170
9	Operating Voltage	VAC	34 - 120

CHARACTERISTICS
Step Angle - 1.8°
Step Angle Accuracy - ± 3 Arc Minute
Insulation Class - H
Ambient Temperature - - 40°C + 50°C
Temperature Rise - 80°C Max. ( Rated Current Phase 2 ON )
Insulation Resistance 100 M Ohms Min.500 VDC
Dielectric Strength 820 VAC For One Minute
Shaft Radial Play 0.02 Max. Play ( 450 G Load )
Shaft Axial Play 0.08 Max. Play ( 450 G Load )
Max.Radial Force 220 N ( 20MM From Front Flange )
Max.Axial Force 60 N



**STEPPER MOTOR -BH86SH123-2004AKS-SZ**



**Bholanath Precision Engineering Pvt.Ltd.**

COMMITTED TO PRECISION

11,Kembros Ind.Estate , Sonapur Lane , Bhandup (W),Mumbai - 400078.



Telefax/Phone : 25662856/25664338/67993260 Email : support@bholanath.in

Mobile No : 9920903825/9821671733/9930514603/9819515543/9323166582.