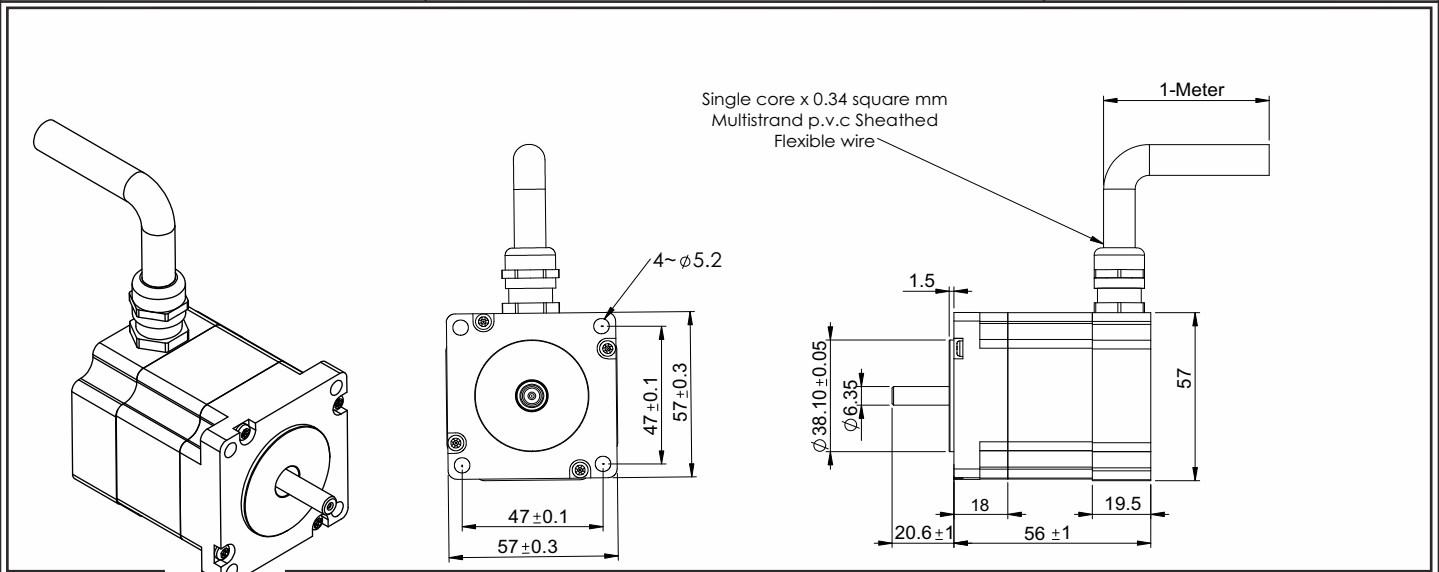


**SPECIFICATION SHEET**  
**Bholanath**

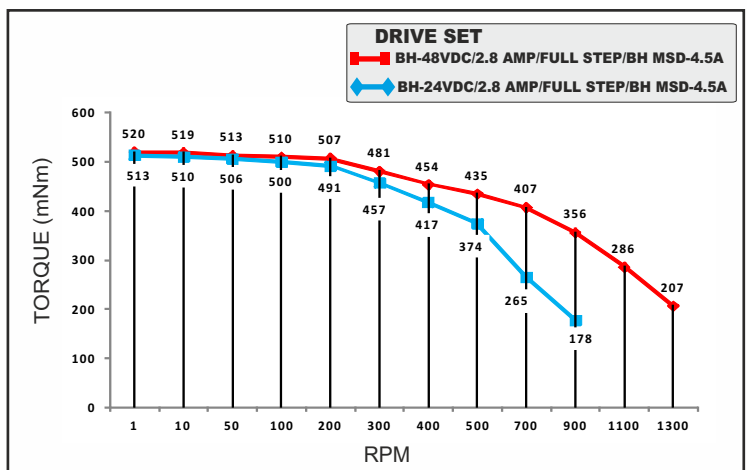
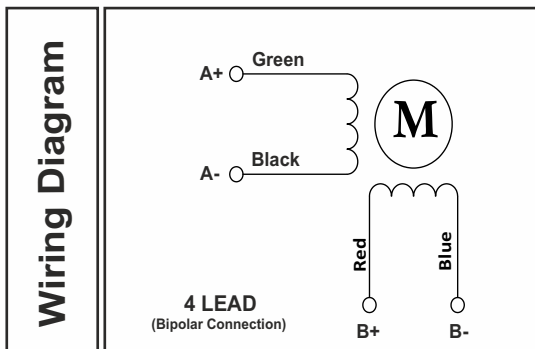
**STEPPER MOTOR**  
**BH 57 SH 56-2804 A - SZ**  
**HIGH TORQUE HYBRID**



**TECHNICAL DATA**

CHARACTERISTICS
Step Angle - 1.8 <sup>0</sup>
Step Angle Accuracy - $\pm$ 3 Arc Minute
Insulation Class - H
Protection Class - DIN 40050 - IP 65
Ambient Temperature - -40 <sup>0</sup> C + 50 <sup>0</sup> C
Temperature Rise - 80 <sup>0</sup> C Max. ( Rated Current Phase 2 ON )
Insulation Resistance 100 M Ohms Min.500 VDC
Dielectric Strength 500 VAC For One Minute
Shaft Radial Play 0.02 Max. Play ( 450 G Load )
Shaft Axial Play 0.08 Max. Play ( 450 G Load )
Max.Radial Force 28 N ( 20MM From Front Flange )
Max.Axial Force 10 N

SPECIFICATION	BH57SH56 - 2804 A - SZ	
MODEL	Bipolar	
1 Rated Voltage	V	2.66
2 Current / Phase	A	2.8
3 Resistance / Phase	$\pm$ 10% $\Omega$	0.95
4 Inductance / Phase	$\pm$ 20% mH	1.8
5 Holding Torque	Nm	0.55
6 Rotor Inertia	G-CM <sup>2</sup>	120
7 Weight	KG.	0.45
8 No of Lead	N <sup>0</sup>	4
9 Operating Voltage	VDC	24 - 48



**MOTOR MODEL - BH57SH56-2804A - SZ**



**Bholanath Precision Engineering Pvt.Ltd.**

11,Kembros Ind.Estate , Sonapur Lane , Bhandup (W),Mumbai - 400078.  
Telefax/Phone : 25662856/25664338/67993260 Email : support@bholanath.in  
Mobile No : 9920903825/9821671733/9930514603/9819515543/9323166582.