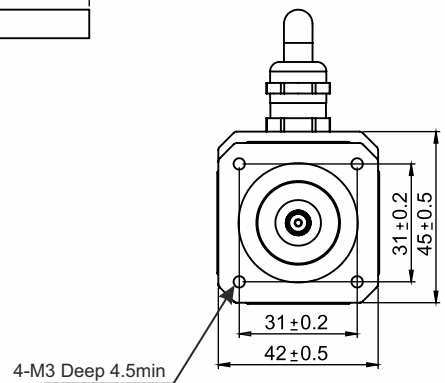
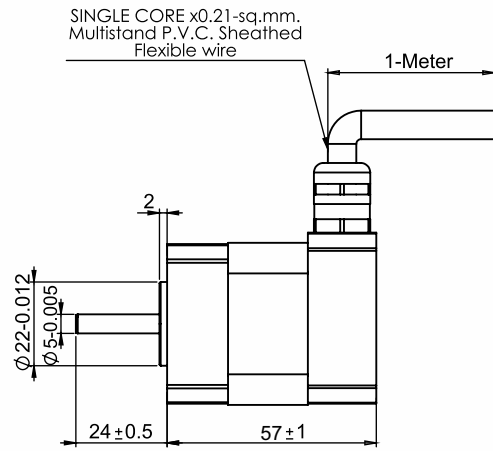
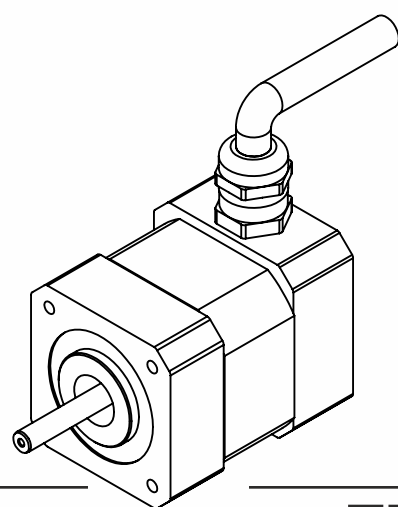


SPECIFICATION SHEET
Bholanath

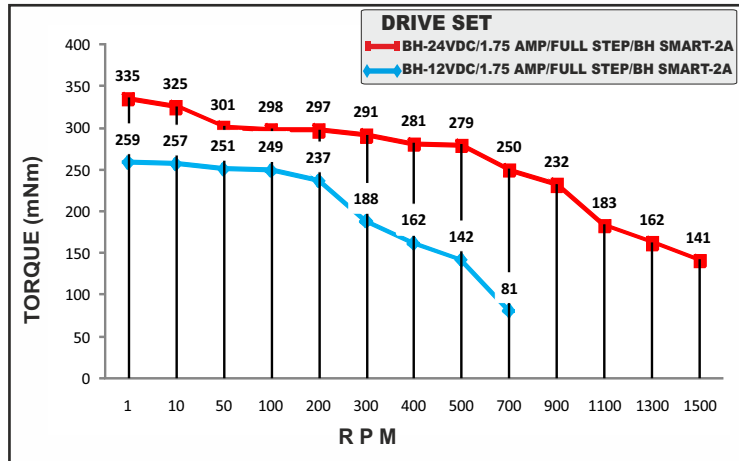
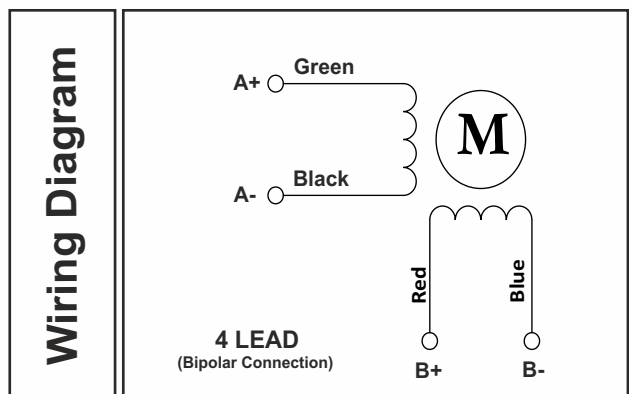
STEPPER MOTOR
BH42 SH 57 - 1704 A-SZ
HIGH TORQUE HYBRID



TECHNICAL DATA

CHARACTERISTICS	
Step Angle	- 1.8°
Step Angle Accuracy	- ± 3 Arc Minute
Insulation Class	- H
Ambient Temperature	- - 40°C + 50°C
Temperature Rise	- 80°C Max. (Rated Current Phase 2 ON)
Insulation Resistance	100 M Ohms Min.500 VDC
Dielectric Strength	500 VAC For One Minute
Shaft Radial Play	0.02 Max. Play (450 G Load)
Shaft Axial Play	0.08 Max. Play (450 G Load)
Max.Radial Force	28 N (20MM From Front Flange)
Max.Axial Force	10 N

SPECIFICATION		BH42SH57 -1704A-SZ	
MODEL		Bipolar	
1	Rated Voltage	V	2.7
2	Current / Phase	A	1.7
3	Resistance / Phase	± 10% Ω	1.6
4	Inductance / Phase	± 20% mH	2.3
5	Holding Torque	Nm	0.45
6	Rotor Inertia	G-CM ²	54
7	Weight	KG.	0.365
8	No of Lead	N ⁰	4
9	Operating Voltage	VDC	12 - 24



MOTOR MODEL - BH42SH57-1704A-SZ



Bholanath Precision Engineering Pvt.Ltd.

11,Kembros Ind.Estate , Sonapur Lane , Bhandup (W),Mumbai - 400078.
Telefax/Phone : 25662856/25664338/67993260 Email : support@bholanath.in
Mobile No : 9920903825/9821671733/9930514603/9819515543/9323166582.