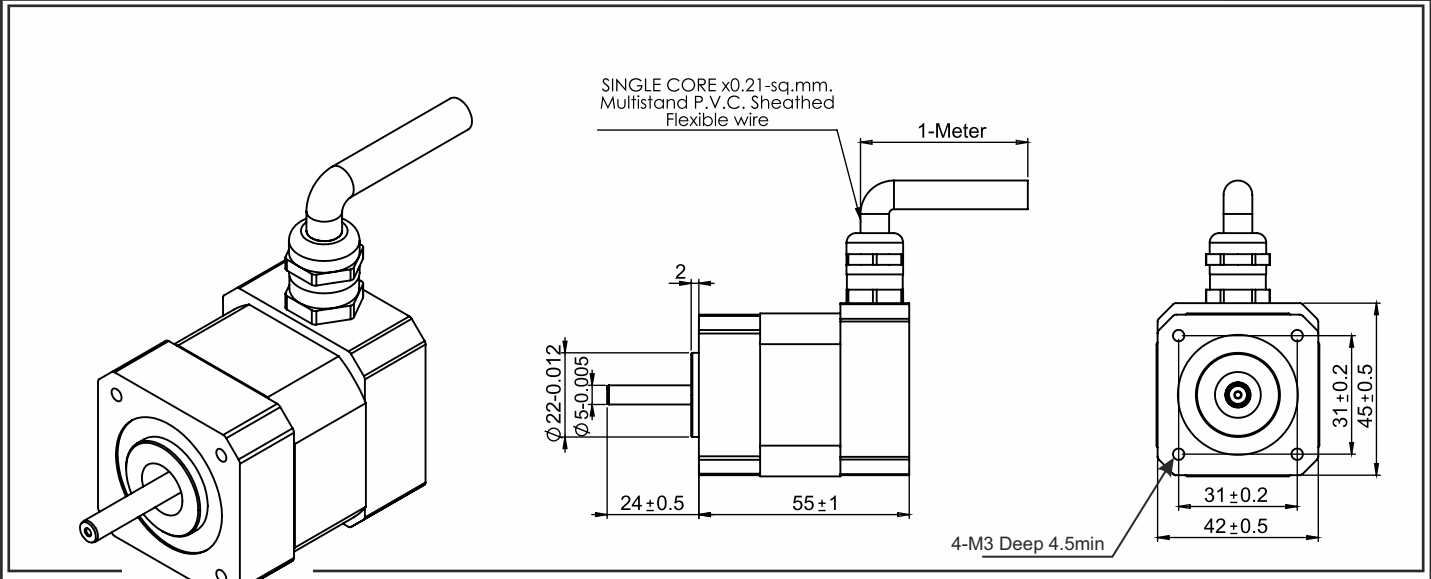


SPECIFICATION SHEET
Bholanath

STEPPER MOTOR
BH42SH55-1684A-SZ(3.6kgcm)
HIGH TORQUE HYBRID



TECHNICAL DATA

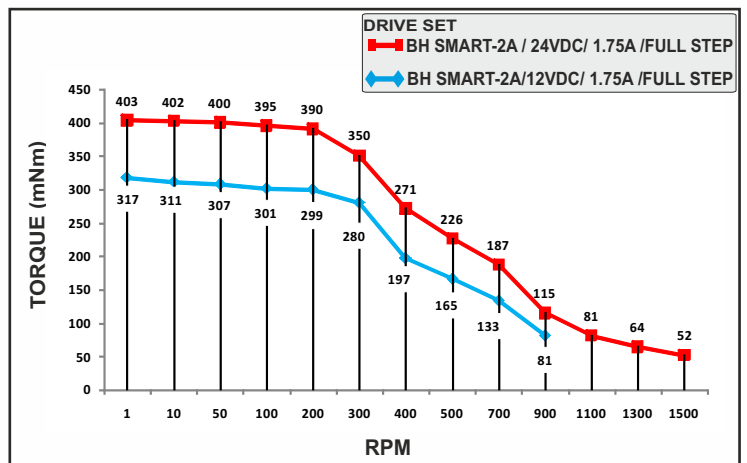
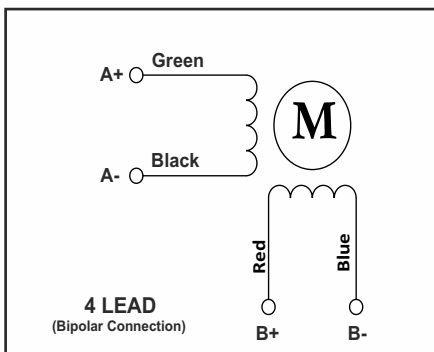
CHARACTERISTICS

Step Angle - 1.8°
Step Angle Accuracy - ± 3 Arc Minute
Insulation Class - H
Protection Class - DIN 40050 - IP 65
Ambient Temperature - $-40^{\circ}\text{C} + 50^{\circ}\text{C}$
Temperature Rise - 80°C Max. (Rated Current Phase 2 ON)
Insulation Resistance 100 M Ohms Min.500 VDC
Dielectric Strength 500 VAC For One Minute
Shaft Radial Play 0.02 Max. Play (450 G Load)
Shaft Axial Play 0.08 Max. Play (450 G Load)
Max.Radial Force 28 N (20MM From Front Flange)
Max.Axial Force 10 N

SPECIFICATION BH42SH55 -1684 A - SZ(3.6Kgcm)

	MODEL	Bipolar	
1	Rated Voltage	V	3.53
2	Current / Phase	A	1.68
3	Resistance / Phase	$\pm 10\% \Omega$	2.1
4	Inductance / Phase	$\pm 20\% \text{mH}$	1.80
5	Holding Torque	Nm	0.36
6	Rotor Inertia	G-CM ²	54
7	Weight	KG.	0.370
8	No of Lead	N ⁰	4
9	Operating Voltage	VDC	12 - 24

Wiring Diagram



MOTOR MODEL - BH42SH55-1684 A - SZ(3.6Kgcm)



Bholanath Precision Engineering Pvt.Ltd.

11,Kembros Ind.Estate , Sonapur Lane , Bhandup (W),Mumbai - 400078.

Telefax/Phone : 25662856/25664338/67993260 Email : support@bholanath.in

Mobile No : 9920903825/9821671733/9930514603/9819515543/9323166582.