

# User's Manual

For

## **BH-SMART-2A Micro Stepping Driver**

Attention: Please read this manual carefully before using the driver!



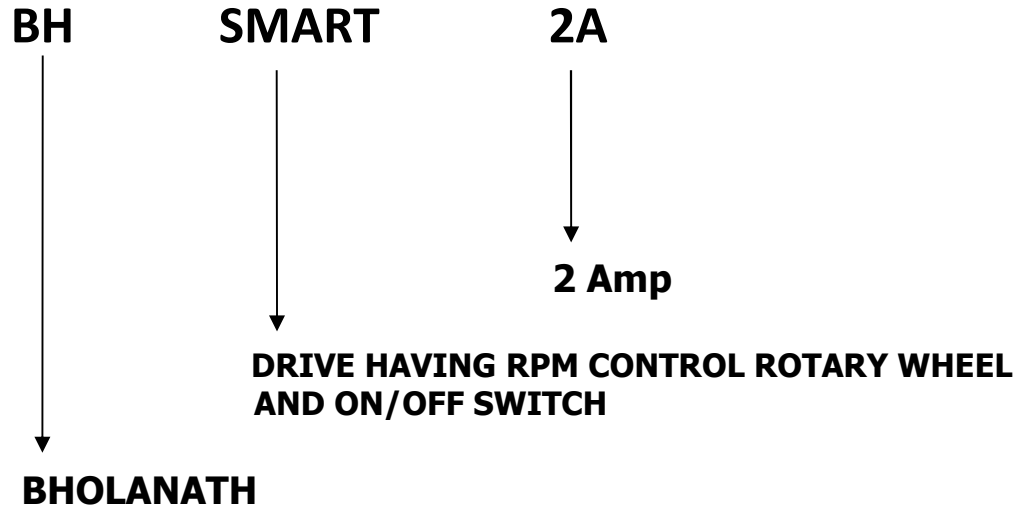
**COMMITTED TO PRECISION**

Version - 1.01

**BHOLANATH PRECISION ENGINEERING PVT.LTD.**

## Product Number Code For Micro step drive

Page | 2



1. DC power input : 10 V~45 Vdc
2. Output current: 0.25A-2A
3. Micro stepping: 200, 400, 800, 1600,3200
4. Protect From:overheat, lock automatic half current, error connect protect
5. Dimension: 97mmx66mmx31mm
6. Weight:150g.
7. Working environment: Temperature: -15~70°C

## Table of Contents

1. Introduction, Features and Applications.....	4
Introduction.....	4
Features.....	4
Applications.....	4
2. Specifications.....	4
Electrical Specifications.....	4
Model no:-BH-SMART-2A.....	4
Drive prevention.....	4
Operating Environment.....	4
Elimination of Heat.....	5
3. Pin Assignment and Description.....	5
Connector P1 Configurations.....	5
Connector P2 Configurations.....	5
External Limiting Resistance.....	5
Rpm & Direction Control by Rotary Wheel & Switch.....	5
Wiring Notes.....	6
Switch Choices.....	6
4. Sequence Chart Of Control Signals.....	6
5. Calculation of pulse frequency.....	7
Frequency With Different RPM At 400 Micro Step.....	7
Frequency With Different RPM At 800 Micro Step.....	7
6. Connecting the Motor.....	7
Connections to 4-lead Motors.....	7
Connections to 6-lead Motors.....	8
Half Coil & Full Coil Configurations .....	8
Connections to 8-lead Motors.....	9
Series & Parallel Connections.....	9
7. Power Supply Selection.....	9
Regulated or Unregulated Power Supply.....	9
Multiple Drivers.....	9
8. Troubleshooting.....	9
9. Dimensions.....	11
10. FAULT OUTPUT Connection.....	12
11. Circuit connections Of BH SMART -2A With BH SDC-01,02.....	12
12. Circuit connections of BH SMART-2A With Arduino & PLC.....	13
13. Frequently Asked Questions.....	15
14. Contact Us.....	15

# 1. Introduction, Features and Applications

## Introduction

Micro stepping driver is particularly suitable for the applications desired with extremely low noise and low temperature rise technology which significantly improve the performance of the stepper motor that leads to low temperature rise, low vibration. With the adjustment technology (step/rev and current) according to different motors, the driven motors automatically generate optimal parameters for different motors, and achieve the best performance at higher speed. It is suitable for driving 2-phase and 4-phase hybrid stepping motors.

Page | 4

## Features

- High performance, cost-effective
- Suitable for 2-phase and 4-phase motors
- Support PUL/DIR , CW/CCW modes and RPM control rotary wheel.
- Short-voltage, over-voltage, over-current and short-circuit protection
- Low temperature rise, smooth motion
- Pulses Response Frequency Can Reach 200KHz

## Applications

Suitable for a wide range of stepping motors, for NEMA size 17. It can be used in various kinds of machines, such as X-Y tables. And a variety of large-scale automation equipments and instruments. For example: labeling machine, cutting machine, packaging machine, plotter, engraving machine, CNC machine tools and so on. It always performs well when applied for equipment which requires for low-vibration, low-noise, high-precision and high-velocity.

## 2. Specifications

### Electrical Specifications

#### Model No:-BH-SMART-4.5A

Parameter	Min	Typical	Max	Unit
Input Voltage(DC)	10	-	45	VDC
Output current	0.25	-	2	A

#### DRIVE PREVENTION :-

**NOTE:-THE ABOVE VOLTAGE MAY DIFFER ACCORDING TO THE POWER SUPPLY IT IS RECOMMENDED THEORITICALLY TO USE ABOVE VOLTAGE AS IT WILL PREVENT DRIVE FROM DAMAGE.**

## Operating Environment

Cooling	Natural cooling or Forced cooling
Operating Environment	Environment-Avoid dust, oil fog, corrosive gases Temperature- $-15^{\circ}\text{C} - 70^{\circ}\text{C}$ Humidity-Not Condensation, No Water Droplets Operating Temperature- $-10^{\circ}\text{C} - 45^{\circ}\text{C}$
Storage Temperature	$-15^{\circ}\text{C} - 70^{\circ}\text{C}$

### Elimination of Heat

- Driver's reliable working temperature should be  $<70^{\circ}\text{C}$ , and motor working temperature should be  $<80^{\circ}\text{C}$ ;
- It is recommended to use automatic idle-current mode, namely current automatically reduce to 60% when motor stops, so as to reduce driver heating and motor heating;
- It is recommended to mount the driver vertically to maximize heat sink area. Use forced cooling method to cool the system if necessary.

### 3. Pin Assignment and Description

The driver has two connectors namely P1 & P2, Connector P1 for control signals connection, Connector P2 for power and motor connections. The following tables are brief descriptions of the two connectors.

#### Connector P1 Configurations

Pin Function	Details
PUL	PULSE SIGNAL NEGATIVE
DIR	DIRECTION SIGNAL NEGATIVE
ENA	ENABLE SIGNAL NEGATIVE
FAULT +	FAULT SIGNAL POSITIVE SUPPLY(EXTERNAL)
FAULT -	FAULT SIGNAL STATUS OUTPUT(EMMITER FOLLOWER)

#### Connector P2 Configurations

Pin Function	Details
V+	DC POWER SUPPLY/AC POWER SUPPLY
GND	GROUND
A+,A-	MOTOR PHASE A
B+,B-	MOTOR PHASE B

**EXTERNAL CURRENT LIMITING RESISTANCE:** Signal current in both the“+” “-”ports, can't be too big and not too weak. It is necessary to connect current-limiting resistor in external, refer to following table

VOLTAGE	LIMITING RESISTANCE(R )
5 V	R=0
12 V	R=1K $\Omega$
24 V	R=2.2 K $\Omega$

### RPM & DIRECTION Control by Rotary Wheel and Switch

1. Clockwise and Anticlockwise movement of Rotary wheel will give Clockwise and Anticlockwise motion of motor.
2. To increase speed continue to rotate the wheel in same direction.
3. Once desired speed is achieved press the switch once to record the data,the motor will stop.
4. Now you can use the switch for ON-OFF as per requirement and the saved data will be used to rotate the motor.
5. Long press of 5 Sec or more will erase old data.
6. Repeat steps 1 to 4 for saving new data.

## Wiring Notes

- To prevent noise incurred in PUL/DIR signal, pulse/direction signal wires and motor wires should not be tied up together. It is better to separate them by at least 10 cm, otherwise the disturbing signals generated by motor will easily disturb pulse direction signals, causing motor position error, system instability and other failures.
- If a power supply serves several drivers, separately connecting the drivers is recommended instead of daisy-chaining.
- It is prohibited to pull and plug connector P2 while the driver is powered ON, because there is high current flowing through motor coils (even when motor is at standstill). Pulling or plugging connector P2 with power on will cause extremely high back-EMF voltage surge, which may damage the driver.

### Switch Choice:

#### 1. Microstepping choice:

SW 6	off	on	off	on	on
SW 7	off	off	on	on	on
SW 8	off	off	off	off	on
Micro	200	400	800	1600	3200

#### 2. Current choice:

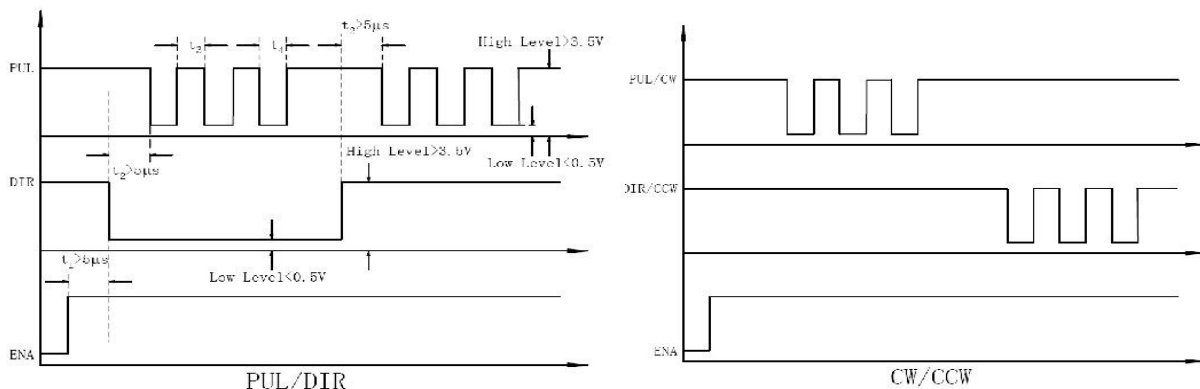
SW 1	off	on	off	on	off	on	off	on	off	on	off	on	off
SW 2	off	off	on	on	off	off	on	on	off	off	on	on	off
SW 3	off	off	off	off	on	on	on	on	off	off	off	off	on
SW 4	off	off	off	off	off	off	off	off	on	on	on	on	on
Current (A)	0.25	0.4	0.5	0.6	0.75	0.85	1	1.2	1.33	1.5	1.7	1.8	2

### Note:-Any DIP Switch Setting other than above

- **Current:-**The 0.25 A current will be set.
- **Microstep:-**3200 microstep will be set.

## 4. Sequence Chart of Control Signals

In order to avoid some fault operations and deviations, PUL, DIR and ENA should abide by some rules, shown as following diagram:



**NOTE:** Enable signal is always high in this drive. Any external supply of 5 Vdc applied will disable the Drive.

**Remark:**

- a) t1: ENA must be ahead of DIR by at least 5µs. Usually, ENA+ and ENA- are NC (not connected). See “Connector P1 Configurations” for more information.
- b) t2: DIR must be ahead of PUL effective edge by 5µs to ensure correct direction;
- c) t3: Pulse width not less than 1.5µs;
- d) t4: Low level width not less than 1.5µs.

Page | 7

**5. CALCULATION OF PULSE FREQUENCY:-  $F = (RPM \times MICRO \text{ STEP})/60$**

If Need 60 RPM at 400 Micro Step (Half Step, Default Setting)

$$\begin{aligned} \text{Then Frequency} &= (60 \times 400) / 60 \\ &= 400\text{Hz} \end{aligned}$$

**TABLE :-(a)Frequency With Different RPM At 400 Micro Step**

<b>RPM</b>	60	120	180	240	300	360	420	480	540
<b>FREQUENCY(Hz)</b>	400	800	1200	1600	2000	2400	2800	3200	3600

**TABLE :-(b) Frequency With Different RPM At 800 Micro Step**

If Need 60 RPM at 800 Micro step

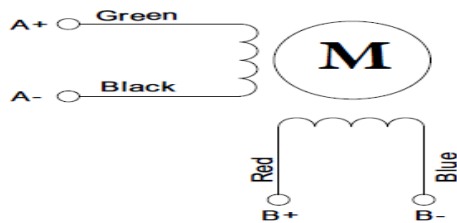
$$\begin{aligned} \text{Then Frequency} &= (60 \times 800) / 60 \\ &= 800\text{Hz} \end{aligned}$$

<b>RPM</b>	60	120	180	240	300	360	420	480	540
<b>FREQUENCY(Hz)</b>	800	1600	2400	3200	4000	4800	5600	6400	7200

**6. Connecting the Motor**

**Connections to 4-lead Motors**

4 lead motors are the least flexible but easiest to wire. Speed and torque will depend on winding inductance.



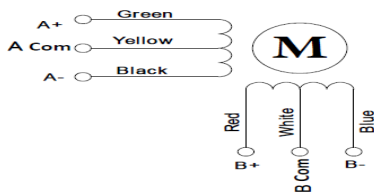
### Connections to 6-lead Motors

Like 8 lead stepping motors, 6 lead motors have two configurations available for high speed or high torque operation. The higher speed configuration, or half coil, is so described because it uses one half of the motor's inductor windings. The higher torque configuration, or full coil, uses the full windings of the phases.

Page | 8

#### Half Coil Configurations

As previously stated, the half coil configuration uses 50% of the motor phase windings. This gives lower inductance, hence, lower torque output. Like the parallel connection of 8 lead motor, the torque output will be more stable at higher speeds. This configuration is also referred to as half chopper.

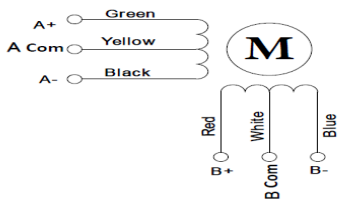


**FOR HALF COIL CONNECTION**  
*CONNECT (A+)-A Com & (B+)-B Com/  
A Com-(A-) & B Com-(B-)*

6-lead motor half coil (higher speed) connections

#### Full Coil Configurations

Lower speeds is desired. This configuration is also referred to as full chopper. In full coil mode, the motors should be run at only 70% of their rated current to prevent overheating.



**FOR FULL COIL CONNECTION**  
*CONNECT (A+)-(A-) & (B+)-(B-)/  
LEAVE A Com & B Com*

6-lead motor full coil (higher torque) connections

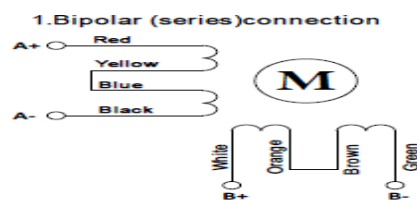
**NOTE: THE ABOVE CONFIGURATIONS IS FOR CONNECTING IN A BIPOLAR MICROSTEP DRIVE AS PER APPLICATION/NON-AVAILABILITY OF A UNIPOLAR MICROSTEP DRIVE.**

### Connections to 8-lead Motors

8 lead motors offer a high degree of flexibility to the system designer in that they may be connected in series or parallel, thus satisfying a wide range of applications.

#### Series Connections

A series motor configuration would typically be used in applications where a higher torque at lower speeds is required. Because this configuration has the most inductance, the performance will start to degrade at higher speeds. In series mode, the motors should also be run at only 70% of their rated current to prevent overheating.



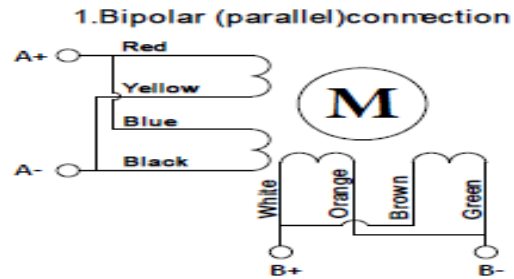
8-lead motor series connections



## Parallel Connections

An 8 lead motor in a parallel configuration offers a more stable, but lower torque at lower speeds. But because of the lower inductance, there will be higher torque at higher speeds.

Page | 9



8-lead motor parallel connections

### 7. Power Supply Selection

The Microstep Driver can match Large and small size stepping motors (from Nema size 17 to Nema size 34). To achieve good driving performances, it is important to select supply voltage and output current properly. Supply voltage determines the high speed performance of the motor, while output current determines the output torque of the driven motor (particularly at lower speed). Higher supply voltage will allow higher motor speed to be achieved, at the price of more noise and heating. If the motion speed requirement is low, it's better to use lower supply voltage to decrease noise, heating and improve reliability.

### Regulated or Unregulated Power Supply

Both regulated and unregulated power supplies can be used to supply the driver. However, unregulated power supplies are preferred due to their ability to withstand current surge. If regulated power supplies (such as most switching supplies.) are indeed used, it is important to have large current output rating to avoid problems like current clamp. On the other hand, if unregulated supply is used, one may use a power supply of lower current rating than that of motor (typically 50%~70% of motor current). The reason is that the driver draws current from the power supply capacitor of the unregulated supply only during the ON duration, but not during the OFF duration. Therefore, the average current withdrawn from power supply is considerably less than motor current

### Multiple Drivers

It is recommended to have multiple drivers to share one power supply to reduce cost, if the supply has enough capacity. To avoid cross interference, **DO NOT** daisy-chain the power supply input pins of the drivers. (Instead, please connect them to power supply separately).

### 8. Troubleshooting

#### a. The status on light's indication

RUN: green, normal work light.

ERROR: red, failure light, the motor with phase short-circuit, overvoltage and undervoltage protection.

#### NOTE:

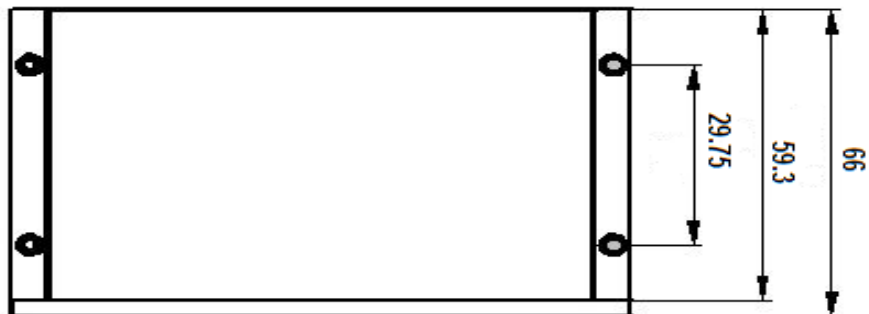
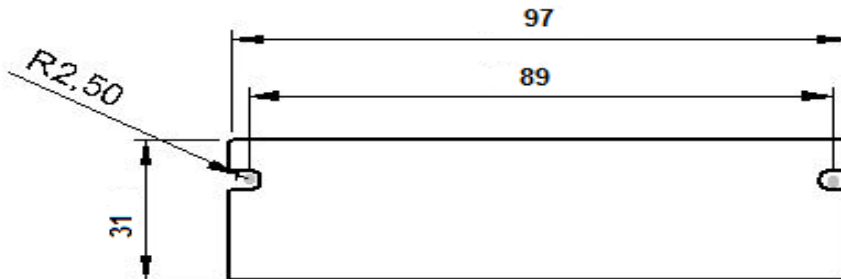
TO CHECK IF DRIVE IS OK/NOT OK, CONNECT ONLY SUPPLY (AC /DC) VOLTAGE AND GROUND TO THE MICROSTEP DRIVE AND CHECK THE LED INDICATOR IF IT SHOWS GREEN THEN DRIVE IS OK AND IF THE LED INDICATOR SHOWS RED THEN DRIVE IS NOT OK. THIS TEST SHOULD BE DONE WHEN THE BELOW TROUBLE SHOOTING IS CARRIED AND MOTOR IS NOT RUNNING.

## 2. Troubles

<b>Problems</b>	<b>Possible cause</b>	<b>Solutions</b>
<b>Motor is not rotating</b>	No power supply	Check the power supply
	No control signal	Check the control signal
	The driver is disabled	Don't connected the enable signal or enable the driver
<b>ALM lights</b>	Supply voltage is too high or too low	Check the supply voltage
	Motor line short-circuit	Check motor lines eliminate the short-circuit
	Motor line wrong connect	Check the motor wiring
	Motor or drive failure	Replace the motor or drive
<b>Motor rotates in the wrong direction</b>	Motor phases connected in reverse	Reverse the phases line
	Wrong I/p direction signal	Change direction setting
	Motor line break	Change the phases are connected
<b>Inaccurate Position</b>	The Micro steps set incorrectly.	Set the correct segments
	The motor load is too heavy.	Increasing the current
	Control signal is interfered	Eliminate interference
<b>Motor Stalled</b>	Power supply voltage too low	Increasing the supply voltage
	Accelerating time is too short.	Extend the acceleration time
	Current setting is too small	Increasing the current
	Motor torque is too small	Replace the motor

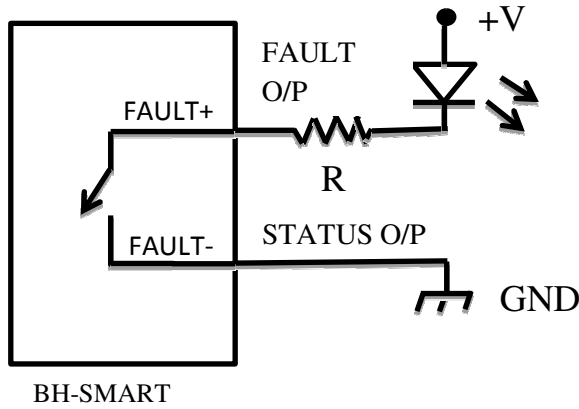
Problems	Possible cause	Solutions
LED off turn	Wrong connection for power	Check wiring of power
	Low-voltages for power	Enlarge voltage of power
Motor doesn't run, without holding torque	Wrong connection of stepper motor	Correct its wiring
	RESET signal is effective	when offline Make RESET ineffective
Motor doesn't run, but maintains holding torque	Without input pulse signal	Adjust PMW & signal level
Motor's holding torque is too small	Too small relative to current setting	Correct rated current setting
	Acceleration is too fast	Reduce the acceleration
	Motor stalls	Rule out mechanical failure
	Driver does not match with The motor	Change a suitable driver

## 9. Dimensions



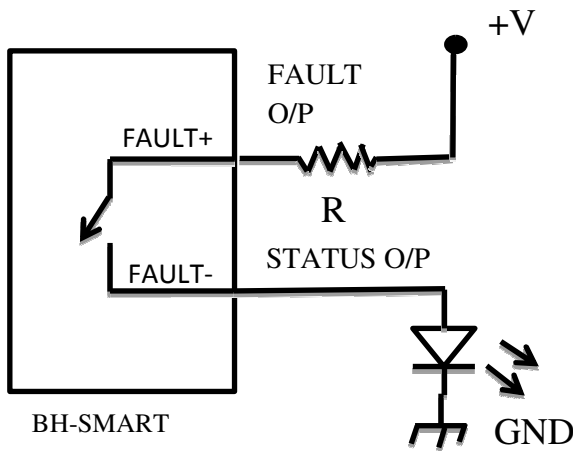
**10. FAULT OUTPUT Connection**

Page | 12

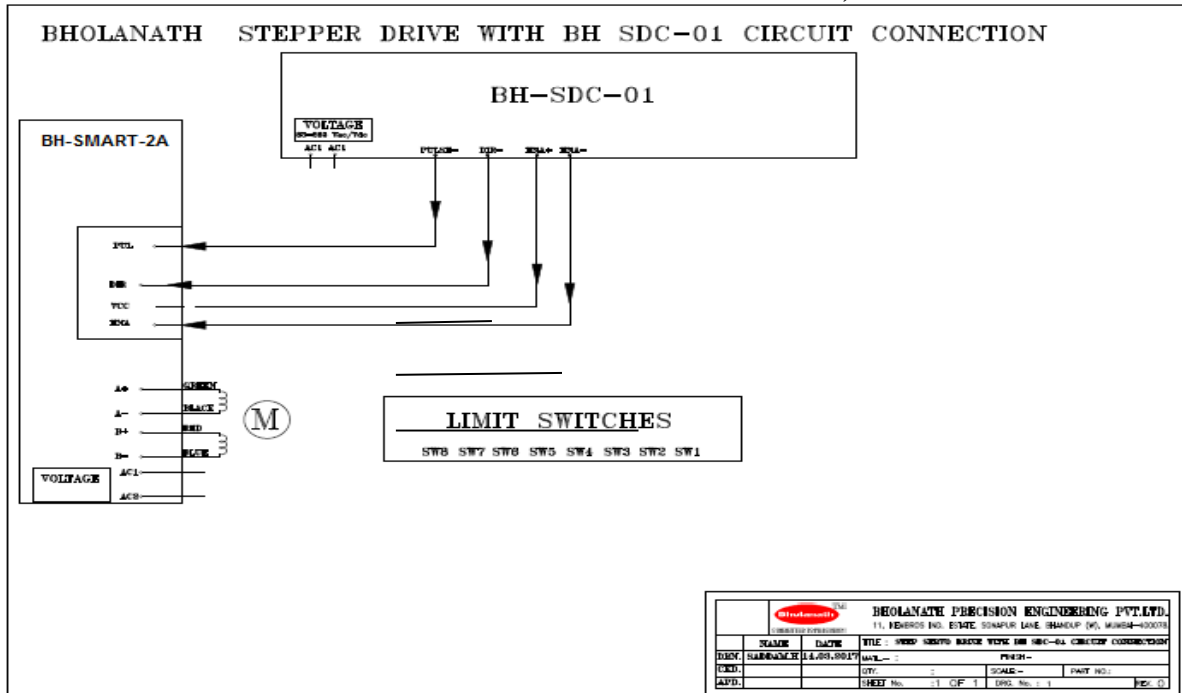


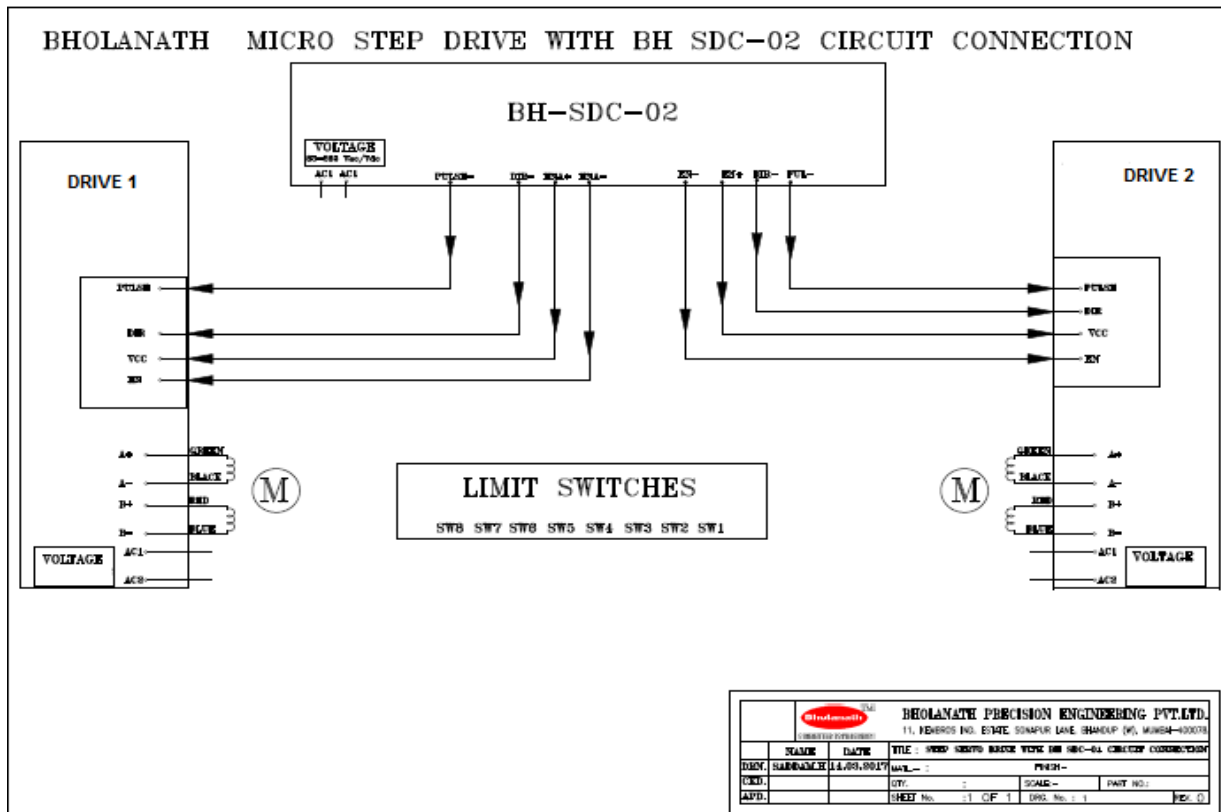
NOTE: Maximum Current through the Fault Switch Is 10 mAmp  
Up to 12V no external resister required

OR

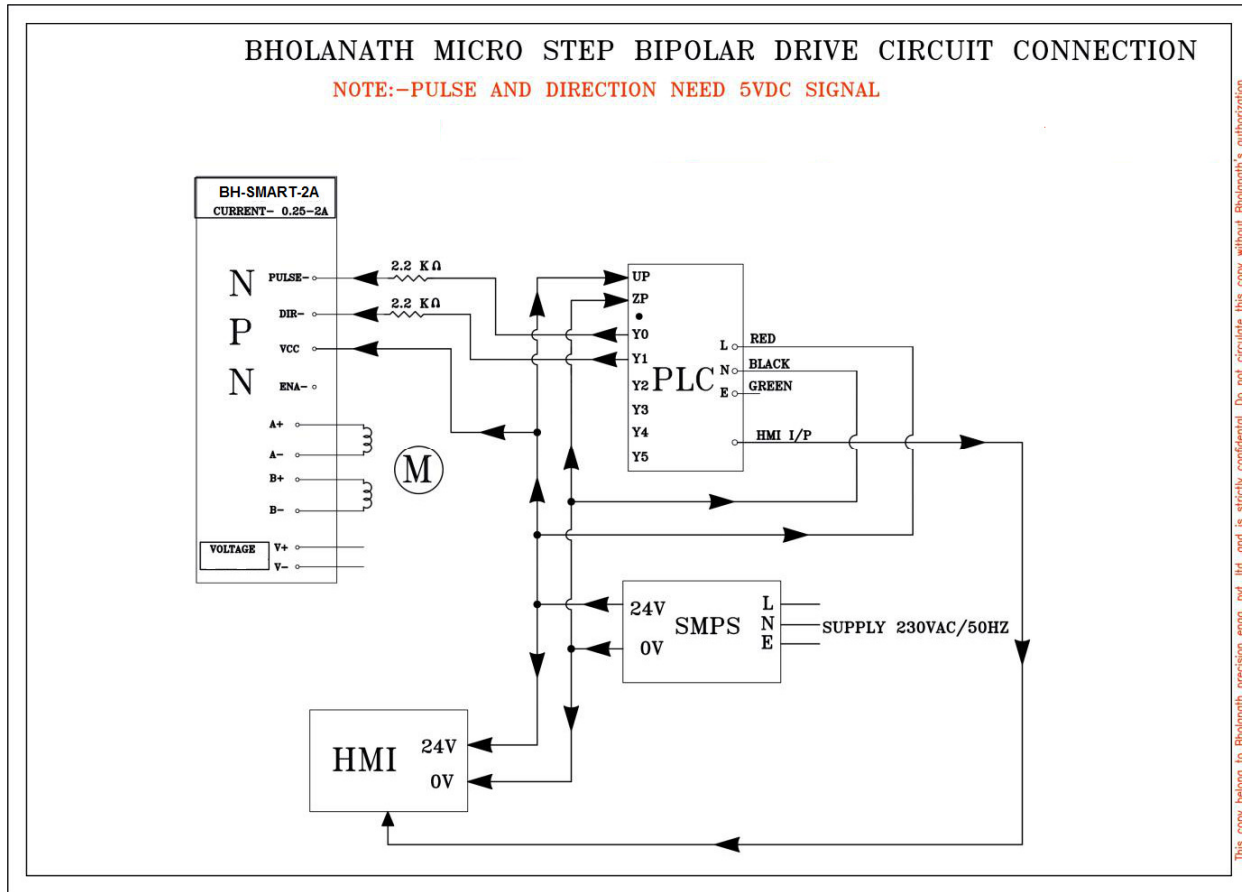


**11. Circuit connections Of BH SMART 2A With BH-SDC 01,SDC 02**

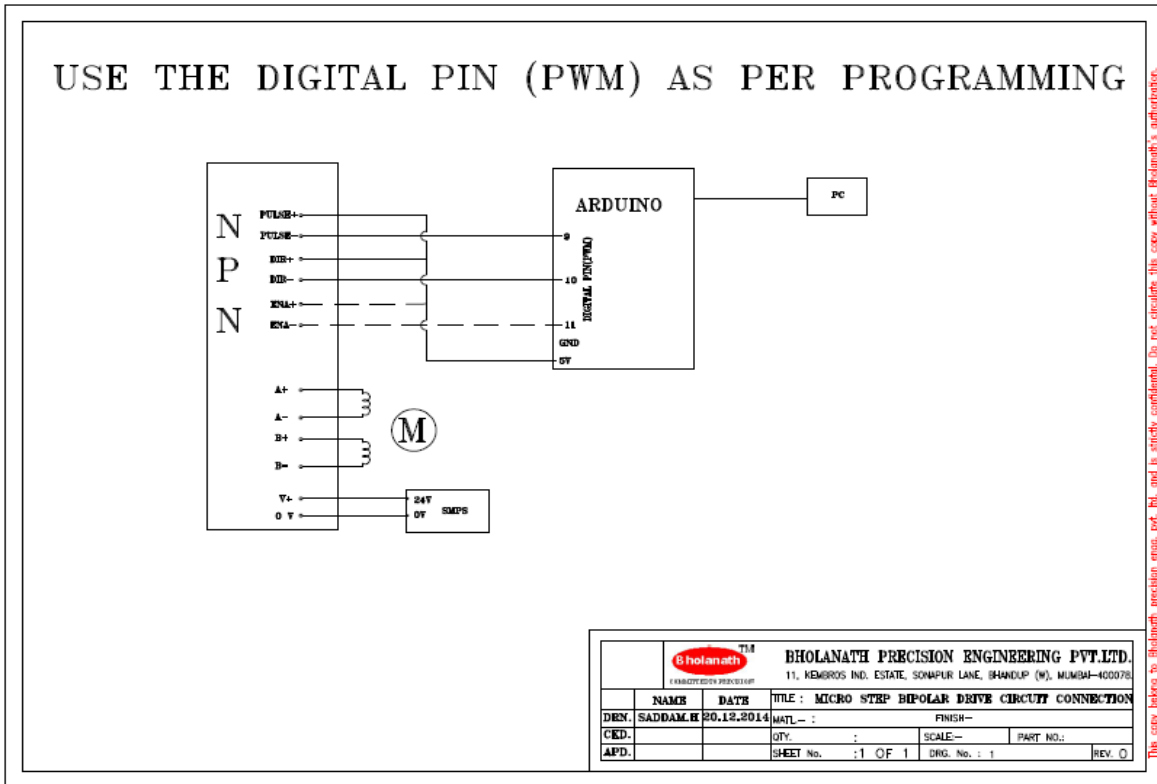




## 12. Circuit Connections Of BH SMART 2A With PLC & Arduino



This copy belong to Bholanath precision engg. pvt. ltd. and is strictly confidential. Do not circulate this copy without Bholanath's authorization.



This copy belongs to Bholanath Precision Engineering Pvt. Ltd. and is strictly confidential. Do not circulate this copy without Bholanath's authorization.

### 13. Frequently Asked Questions

Page | 15

In the event that your driver doesn't operate properly, the first step is to identify whether the problem is electrical or mechanical in nature. The next step is to isolate the system component that is causing the problem. As part of this process you may have to disconnect the individual components that make up your system and verify that they operate independently. It is important to document each step in the troubleshooting process. You may need this documentation to refer back to at a later date, and these details will greatly assist our Technical Support staff in determining the problem should you need assistance.

Many of the problems that affect motion control systems can be traced to electrical noise, controller software errors, or mistake in wiring.

The content in this manual has been carefully prepared and is believed to be accurate, but no responsibility is assumed for inaccuracies

We manufacture 1.8° HYBRID STEPPER MOTORS of size NEMA17, NEMA23, NEMA24, and NEMA34 in square frame and NEMA 23 in Round frame and available in our product range are Linear Actuator Stepper Motors, Planetary Geared Stepper Motors, Stepper motors with Brakes and Customized Stepper Motors.

#### BHOLANATH STEP SERVO MOTOR & DRIVE



#### Office Address

#### Contact Us

**Bholanath Precision Engineering Pvt.Ltd.**

11,Kembros Industrial Estate,Near Asian Paint Company,  
Sonapur Lane,Bhandup (West),Mumbai - 400078,India.

Phone No : -

+91 - 9920903825 / 9930514603 / 9821671733 / 9323166582

91 - 22 - 25664338 / 25662856 / 67993260