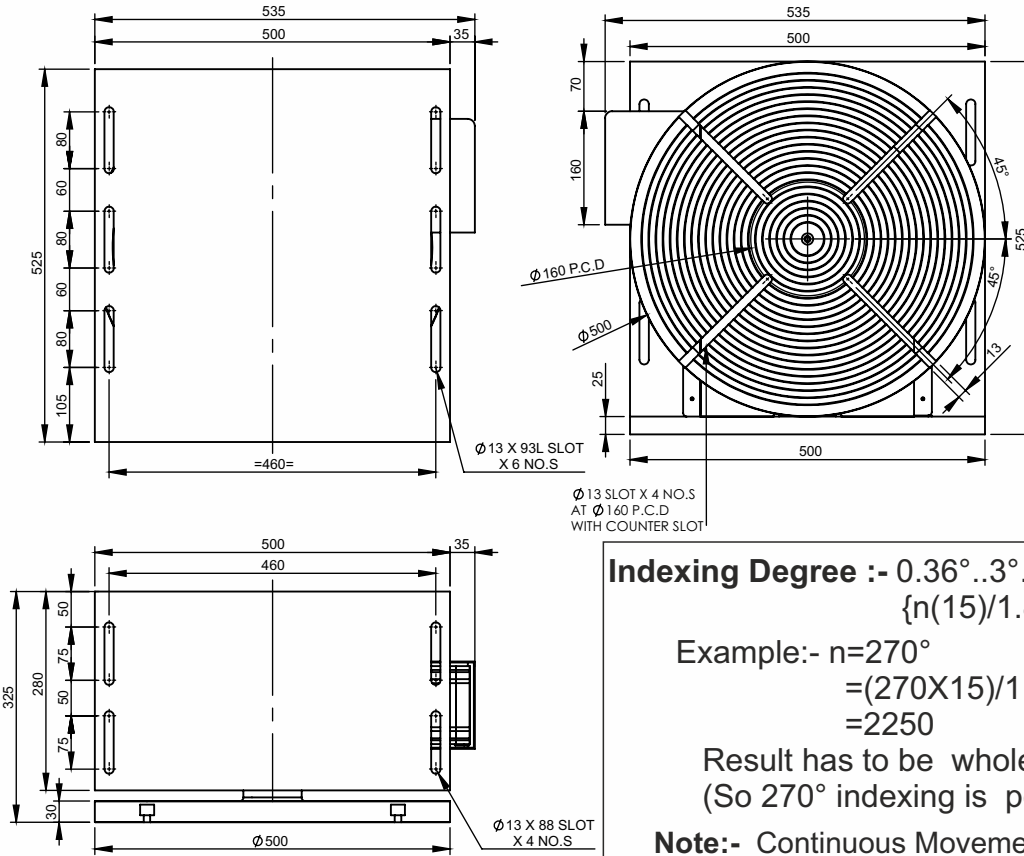


SPECIFICATION SHEET
Bholanath

Rotary Table
BH-RT-04 (M)



Heavy duty stepper motor Technology with accurate indexing and accurate rotation. Rotary tables used for applications in machine tool industry.

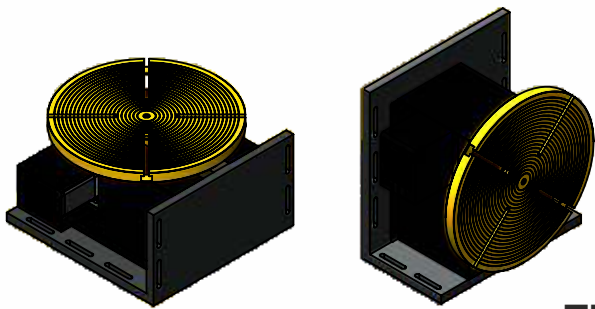


Indexing Degree :- 0.36°..3°..30°,45°,60°, 90°...180°...360°...
{n(15)/1.8} where n is Indexing degree.

Example:- n=270°
=(270X15)/1.8
=2250

Result has to be whole number
(So 270° indexing is possible)

Note:- Continuous Movement up to 15RPM for 350Kg load.



Vertical

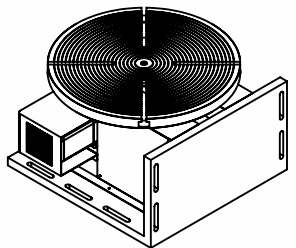
Horizontal

BRAKE DETAILS :
Torque : 10 Nm
Voltage : 24 V
Current at 20°C - 0.83 Amps
Power Consumption at 20°C : 19.8 Watts

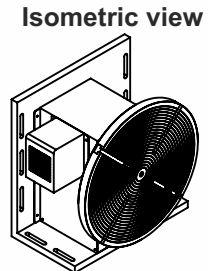
Motor

TECHNICAL DATA

SPECIFICATION Model No		BH-RT-04-(M)
1	Maximum load carrying capacity(kg)	350
2	Permissible Feed Speed (RPM)	0 to 15
3	Maximum Plate Diameter (mm)	500
4	Gear Ratio of Indexing Table	15:1
5	Positioning Accuracy (arc min)	≤ 5
6	Degree Of protection	IP 40
7	Total Weight Of Rotary table (KG)	166



Vertical



Horizontal



Bholanath Precision Engineering Pvt.Ltd.

11,Kembros Ind.Estate , Sonapur Lane , Bhandup (W),Mumbai - 400078.
Telefax/Phone : 25662856/25664338/67993260 Email : support@bholanath.in
Mobile No : 9920903825/9821671733/9930514603/9819515543/9323166582.