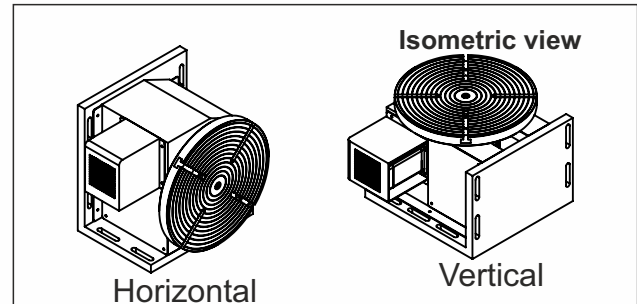
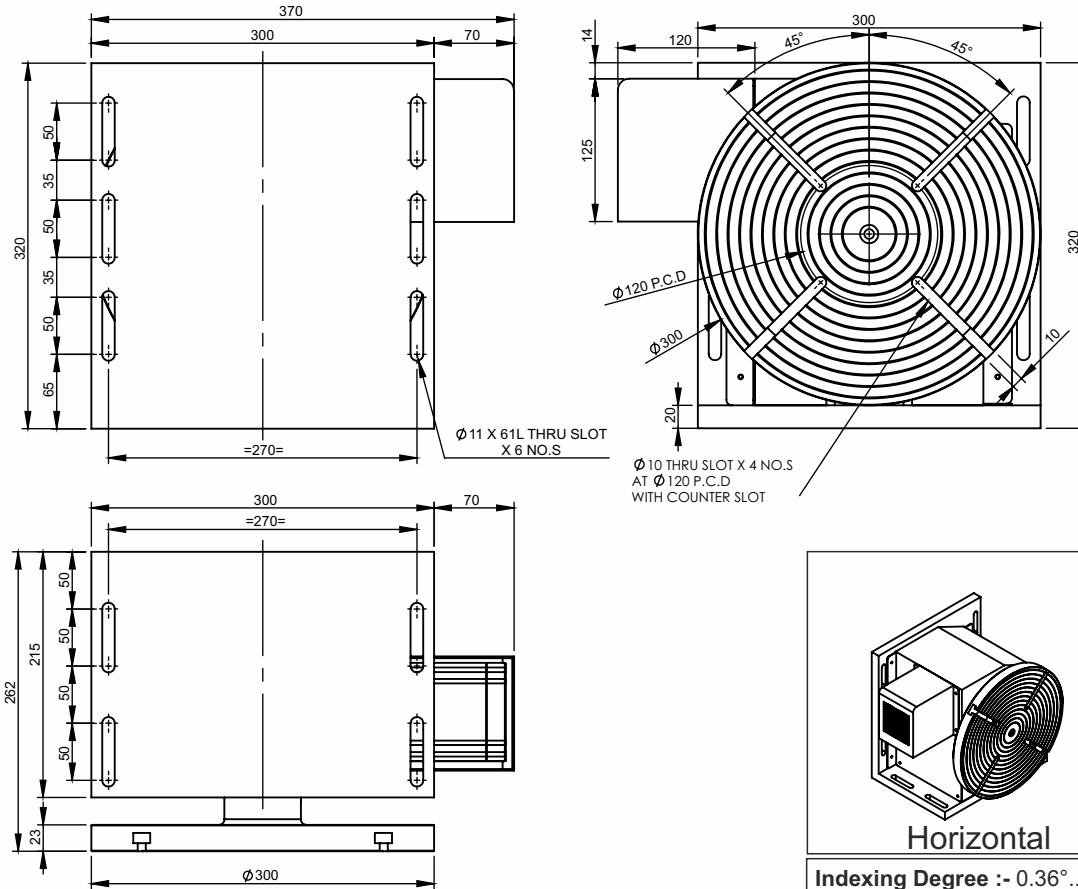


**SPECIFICATION SHEET**  
**Bholanath**

**Rotary Table**  
**BH-RT-03 (M+E)**



Heavy duty stepper motor Technology with accurate indexing and accurate rotation. Rotary tables used for applications in machine tool industry.



**Indexing Degree** :- 0.36° ..3° ..30°,45°,60°, 90°...180°...360°...  
{n(15)/1.8} where n is Indexing degree.

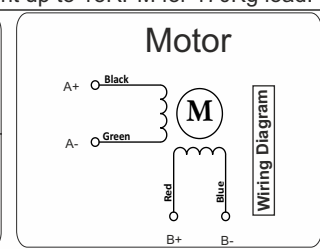
Example:- n=270°  
=(270X15)/1.8  
=2250

Result has to be whole number  
(So 270° indexing is possible)

**Note:-** Continuous Movement up to 15RPM for 170Kg load.

**BRAKE DETAILS :**  
Torque : 10 Nm  
Voltage : 24 V  
Current at 20°C - 0.85 Amps  
Power Consumption at 20°C : 21.1 Watts

White — +  
Black — -  
**24VDC**



**Stepper Drive**  
Weight:- 300 gm



**Stepper Drive Controller**  
Weight:- 300 gm



**Power Supply**  
Weight:- 4.6kg

**TECHNICAL DATA**

SPECIFICATION	Model No	BH-RT-03-(M+E)
1	Maximum load carrying capacity(kg)	170
2	Permissible Feed Speed (RPM)	0 to 15
3	Maximum Plate Diameter (mm)	300
4	Gear Ratio of Indexing Table	15:1
5	Positioning Accuracy (arc min)	≤ 5
6	Degree Of protection	IP 40
7	Total Weight Of Rotary Indexing (KG)	61
8	Total Weight Of Systems (KG)	66



**Bholanath Precision Engineering Pvt.Ltd.**

11,Kembros Ind.Estate , Sonapur Lane , Bhandup (W),Mumbai - 400078.  
Telefax/Phone : 25662856/25664338/67993260 Email : support@bholanath.in  
Mobile No : 9920903825/9821671733/9930514603/9819515543/9323166582.