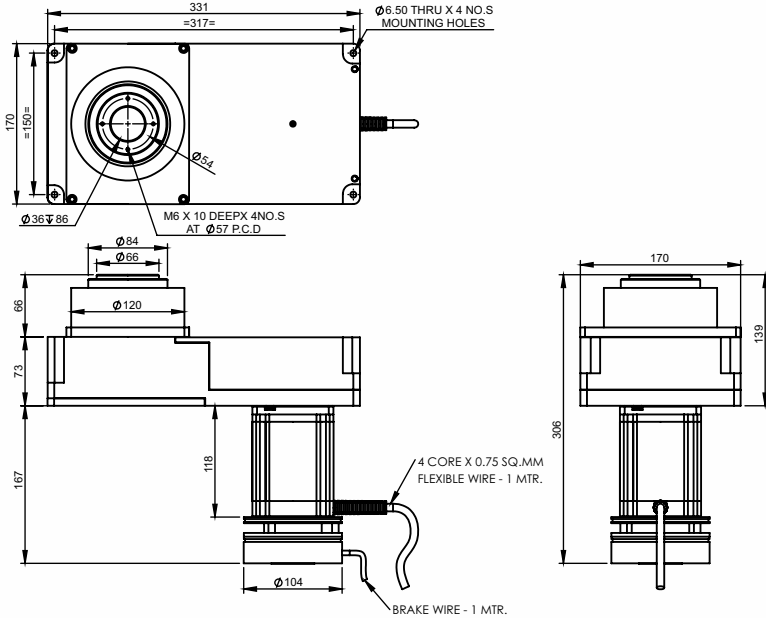


**SPECIFICATION SHEET**  
**Bholanath**

**Rotary Indexing System**  
**BH-RIS-02-B (M)**

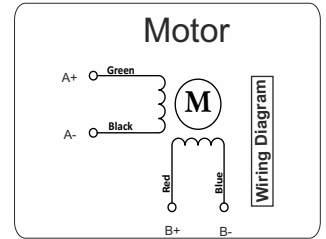


Stepper Motor Based Highly Accurate Rotary Indexing System Models- BH-RIS-02 -B Bholanath Rotary Indexing Systems are Used in all Automation Applications, Machine Tools and General Industry Applications Bholanath Manufacture Stepper Motor, Stepper Drives ,Power Supplies & Stepper Drive Controllers That Perfectly Compliment Rotary Indexing Systems.



**BRAKE DETAILS :**  
Torque : 10 Nm  
Voltage : 24 V  
Current at 20°C - 0.85 Amps  
Power Consumption at 20°C : 21.1 Watts

White  $\ominus$  +  
Black  $\ominus$  -  
**24VDC**



**Indexing Degree :-** 0.6°..3°..30°,45°,60°, 90°...180°...360°...  
{n(3)/1.8} where n is Indexing degree.

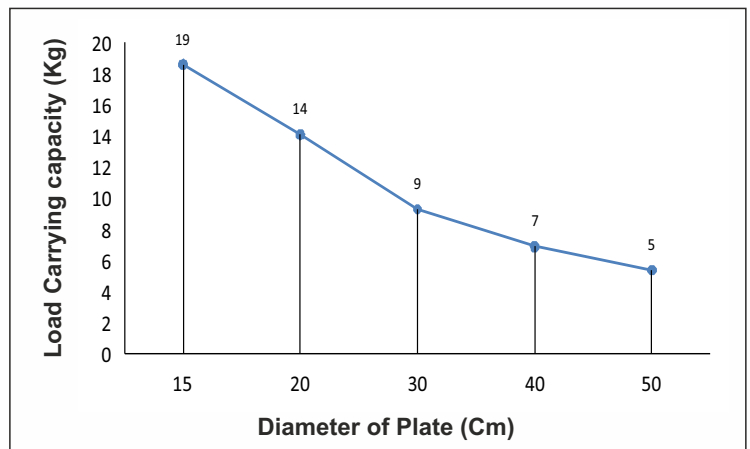
Example:- n=270°  
=(270X3)/1.8  
=450(Hence 270° indexing is possible)

**Note:-** Continuous Movement up to 100RPM.

**TECHNICAL DATA**



SPECIFICATION Model No		BH-RIS-02-B (M)
1	Maximum load carrying capacity(kg)	19
2	Output RPM	0 to 100
2	Gear Ratio of Indexing Table	3:1
3	Positioning Accuracy (arc min)	≤ 8
4	Degree Of protection	IP 40
5	Total Weight Of Rotary Indexing (KG)	14.5



**Model No:- BH-RIS-02-B (M)**



**Bholanath Precision Engineering Pvt.Ltd.**

11,Kembros Ind.Estate , Sonapur Lane , Bhandup (W),Mumbai - 400078.  
Telefax/Phone : 25662856/25664338/67993260 Email : support@bholanath.in  
Mobile No : 9920903825/9821671733/9930514603/9819515543/9323166582.