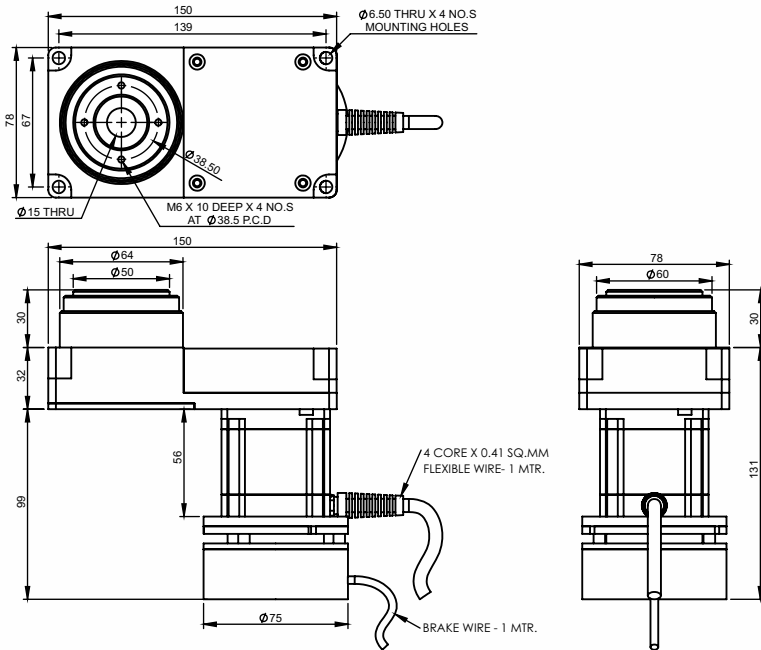


**SPECIFICATION SHEET**  
**Bholanath**

**Rotary Indexing System**  
**BH-RIS-01-C(M)**

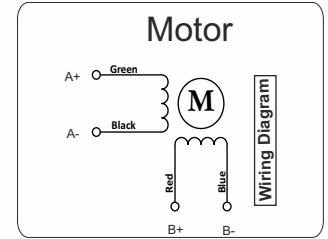


Stepper Motor Based Highly Accurate Rotary Indexing System Models- BH-RIS-01 -A Bholanath Rotary Indexing Systems are Used in all Automation Applications, Machine Tools and General Industry Applications Bholanath Manufacture Stepper Motor , Stepper Drives ,Power Supplies & Stepper Drive Controllers That Perfectly Compliment Rotary Indexing Systems.



**BRAKE DETAILS :**  
Torque : 3 Nm  
Voltage : 24 V  
Current at 20°C - 0.4 Amps  
Power Consumption at 20°C : 9.34 Watts

White — +  
Black — -  
**24VDC**

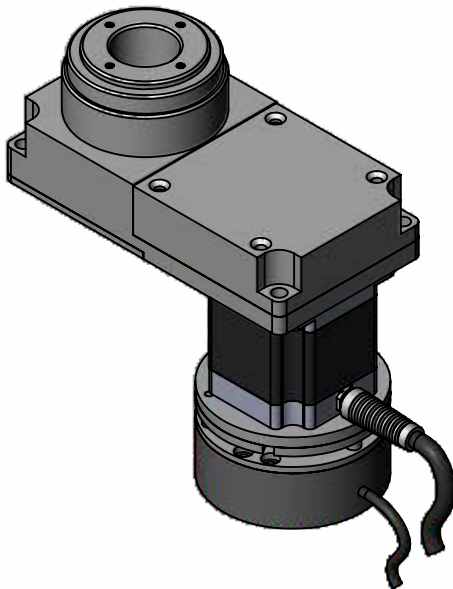


**Indexing Degree :-** 0.6°..3°..30°,45°,60°, 90°...180°...360°...  
{n(3)/1.8} where n is Indexing degree.

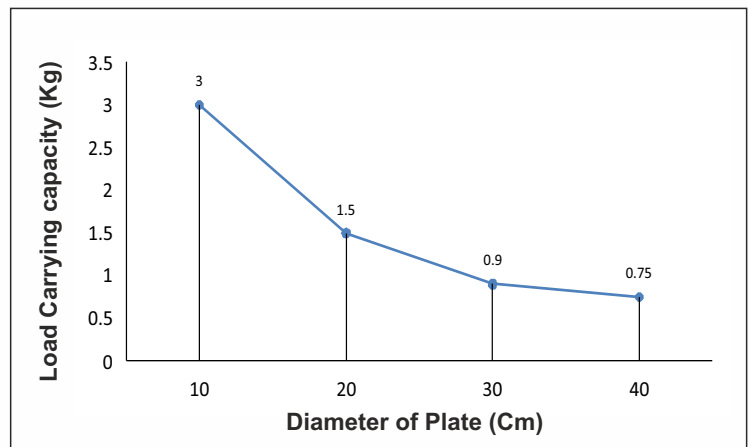
Example:- n=270°  
=(270X3)/1.8  
=450(Hence 270° indexing is possible)

**Note:-** Continuous Movement up to 100RPM .

**TECHNICAL DATA**



SPECIFICATION Model No		BH-RIS-01-C(M)
1	Maximum load carrying capacity(kg)	3.0
2	Permissible Feed Speed (RPM)	0 to 100
2	Gear Ratio of Indexing Table	3:1
3	Positioning Accuracy (arc min)	≤ 8
4	Degree Of protection	IP 40
5	Total Weight Of Rotary Indexing (KG)	5.2



Model No:- BH-RIS-01-C(M)



**Bholanath Precision Engineering Pvt.Ltd.**

11,Kembros Ind.Estate , Sonapur Lane , Bhandup (W),Mumbai - 400078.  
Telefax/Phone : 25662856/25664338/67993260 Email : support@bholanath.in  
Mobile No : 9920903825/9821671733/9930514603/9819515543/9323166582.