

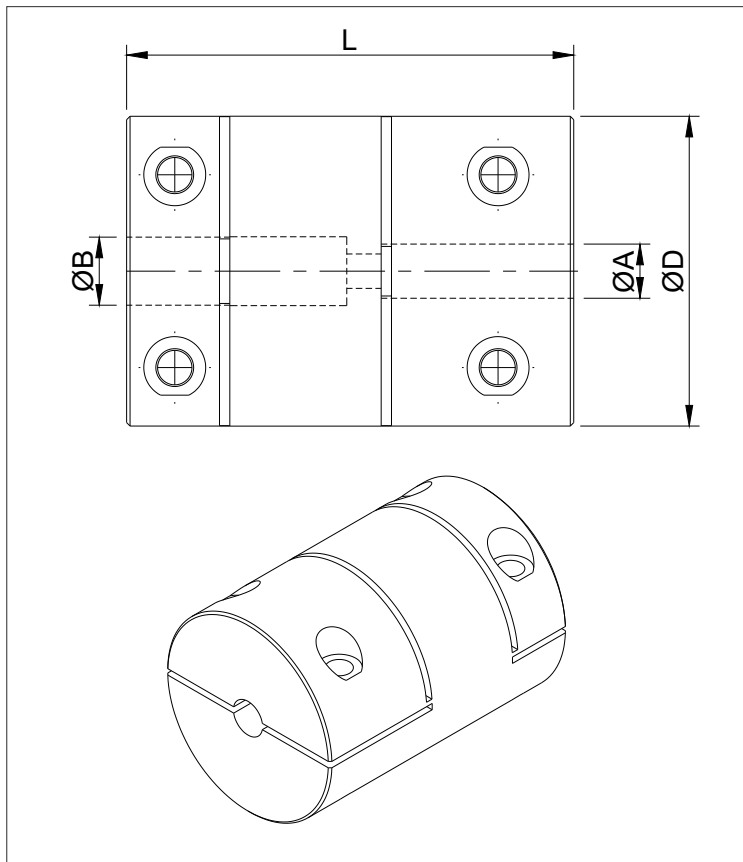
**SPECIFICATION SHEET**  
**Bholanath**

**NEMA 42(110MM)**  
**RIGID COUPLING**  
**BH110-RC-19X19**



BHOLANATH Rigid Coupling BH110-RC, Suitable For All NEMA 42(110 mm) Frame Size Stepper Motors Offers High Transmittable Torque Special Grade Aluminium Which Can Absorb Angular And Axial Misalignment Compact Dimension Backlash And Maintenance Free.

**Suitable For All Motion Control Application.**



Sr No	Rigid Coupling Model No	Bore size (mm)A- Motor End	Bore size (mm) B	Diameter (mm) D	Length (mm) L	Weight (gm)
1	BH110-RC -19X19	19	19	Ø45	65	230



**Bholanath Precision Engineering Pvt.Ltd.**

11, Kembros Ind. Estate, Sonapur Lane, Bhandup (W), Mumbai - 400078.  
 Telefax/Phone : 25662856/25664338/67993260 Email : support@bholanath.in  
 Mobile No : 9920903825/9821671733/9930514603/9819515543/9323166582.