

**SPECIFICATION
SHEET
Bholanath**

**NEMA 34(86MM)
RIGID COUPLING**

BH86-RC-12X8, BH86-RC-12X12
BH86-RC-12.7X12.7, BH86-RC-12.7X14
BH86-RC-14X14

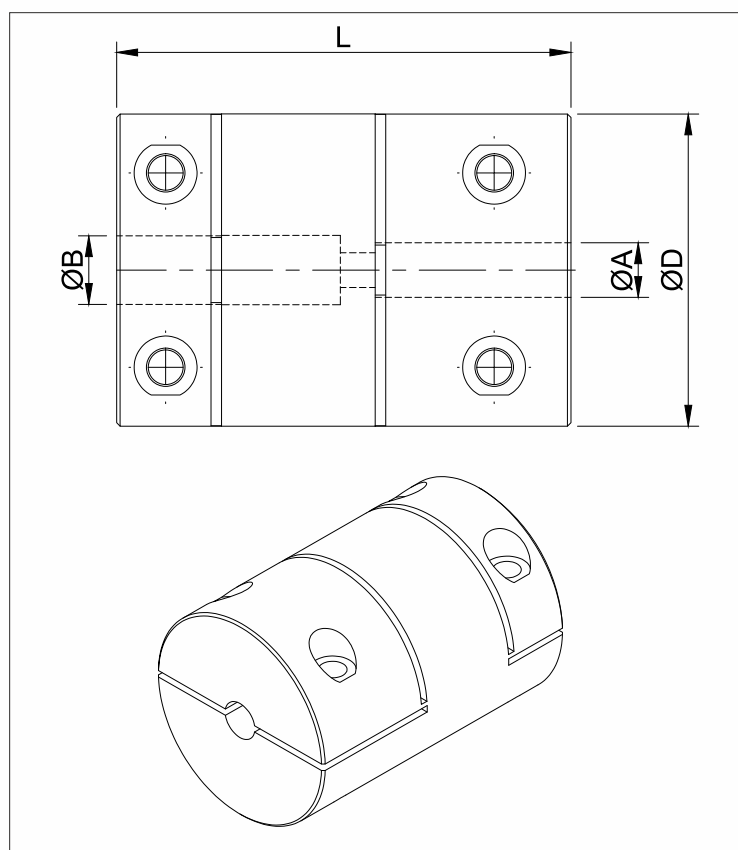


COMMITTED TO PRECISION

www.bholanath.in

BHOLANATH Rigid Coupling BH86-RC, Suitable For All NEMA 34(86 mm) Frame Size Stepper Motors Offers High Transmittable Torque Special Grade Aluminium Which Can Absorb Angular And Axial Misalignment Compact Dimension Backlash And Maintenance Free.

Suitable For All Motion Control Application.



Sr No	Rigid Coupling Model No	Bore size (mm) A- Motor End	Bore size (mm) B	Diameter (mm) D	Length (mm) L	Weight (gm)
1	BH86RC-12X8	Ø12	Ø8	Ø45	65	250
2	BH86-RC-12X12	Ø12	Ø12	Ø45	65	245
3	BH86-RC-12.7X12.7	Ø12.7	Ø12.7	Ø45	65	240
4	BH86-RC-12.7X14	Ø12.7	Ø14	Ø45	65	235
5	BH86-RC-14X14	Ø14	Ø14	Ø45	65	230



Bholanath Precision Engineering Pvt.Ltd.

11, Kembros Ind. Estate, Sonapur Lane, Bhandup (W), Mumbai - 400078.

Telefax/Phone : 25662856/25664338/67993260 Email : support@bholanath.in

Mobile No : 9920903825/9821671733/9930514603/9819515543/9323166582.