

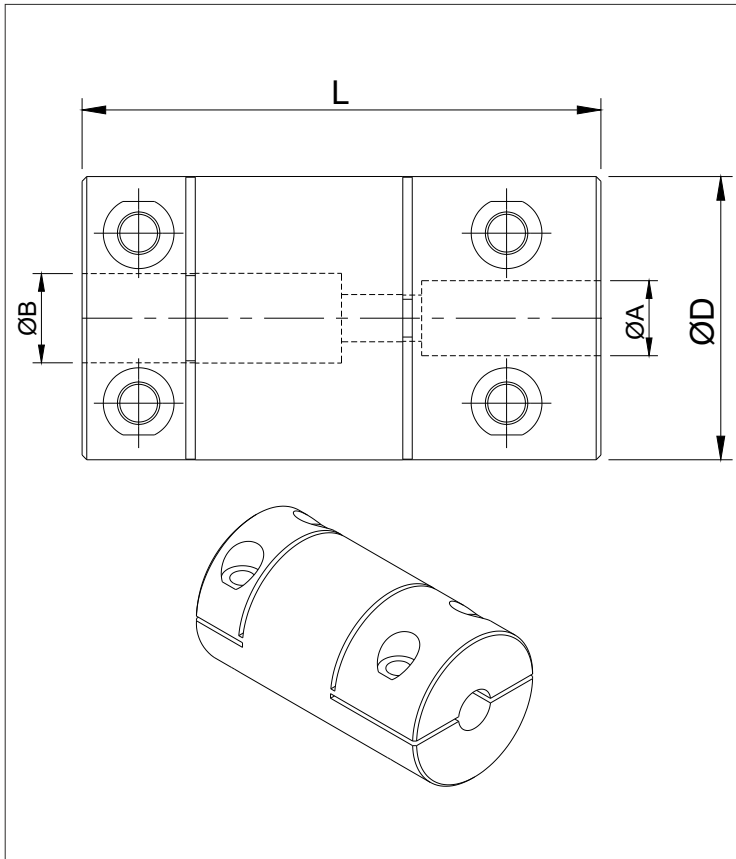
**SPECIFICATION SHEET**  
**Bholanath**

**NEMA 23(57MM)**  
**RIGID COUPLING**  
BH57-RC-6.35X8, BH57-RC-8X8  
BH57-RC-8X9.5, BH57-RC-10X10



BHOLANATH Rigid Coupling BH57-RC, Suitable For All NEMA 23(57 mm) Frame Size Stepper Motors Offers High Transmittable Torque Special Grade Aluminium Which Can Absorb Angular And Axial Misalignment Compact Dimension Backlash And Maintenance Free.

**Suitable For All Motion Control Application.**



| Sr No | Rigid Coupling Model No | Bore size (mm)A- Motor End | Bore size (mm) B | Diameter (mm) D | Length (mm) L | Weight (gm) |
|-------|-------------------------|----------------------------|------------------|-----------------|---------------|-------------|
| 1     | BH57-RC -6.35X8         | Ø6.35                      | Ø8               | Ø30             | 55            | 112         |
| 2     | BH57-RC -8X8            | Ø8                         | Ø8               | Ø30             | 55            | 100         |
| 3     | BH57-RC -8X9.5          | Ø8                         | Ø9.5             | Ø30             | 55            | 87          |
| 4     | BH57-RC -10X10          | Ø10                        | Ø10              | Ø30             | 55            | 80          |



**Bholanath Precision Engineering Pvt.Ltd.**

11,Kembros Ind.Estate , Sonapur Lane , Bhandup (W),Mumbai - 400078.  
Telefax/Phone : 25662856/25664338/67993260 Email : support@bholanath.in  
Mobile No : 9920903825/9821671733/9930514603/9819515543/9323166582.