

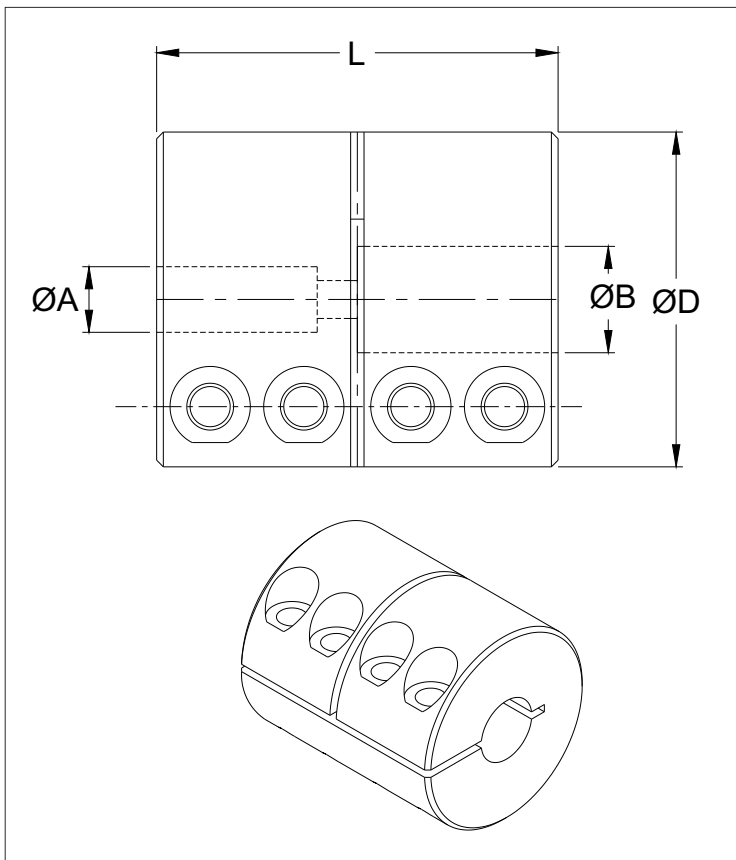
**SPECIFICATION SHEET**  
**Bholanath**

**NEMA 17(42MM)**  
**RIGID COUPLING**  
**BH42-RC -5X5**  
**BH42-RC -5X6.35**  
**BH42-RC -5X8**



BHOLANATH Rigid Coupling BH42-RC, Suitable For All NEMA 17(42 mm) Frame Size Stepper Motors Offers High Transmittable Torque Special Grade Aluminium Which Can Absorb Angular And Axial Misalignment Compact Dimension Backlash And Maintenance Free.

**Suitable For All Motion Control Application.**



Sr No	Rigid Coupling Model No	Bore size (mm)A- Motor End	Bore size (mm) B	Diameter (mm) D	Length (mm) L	Weight (Gms)
1	BH42-RC -5X5	Ø5	Ø5	Ø25	30	38
2	BH42-RC -5X6.35	Ø5	Ø6.35	Ø25	30	35
3	BH42-RC -5X8	Ø5	Ø8	Ø25	30	30



**Bholanath Precision Engineering Pvt.Ltd.**

11,Kembros Ind.Estate , Sonapur Lane , Bhandup (W),Mumbai - 400078.  
Telefax/Phone : 25662856/25664338/67993260 Email : support@bholanath.in  
Mobile No : 9920903825/9821671733/9930514603/9819515543/9323166582.