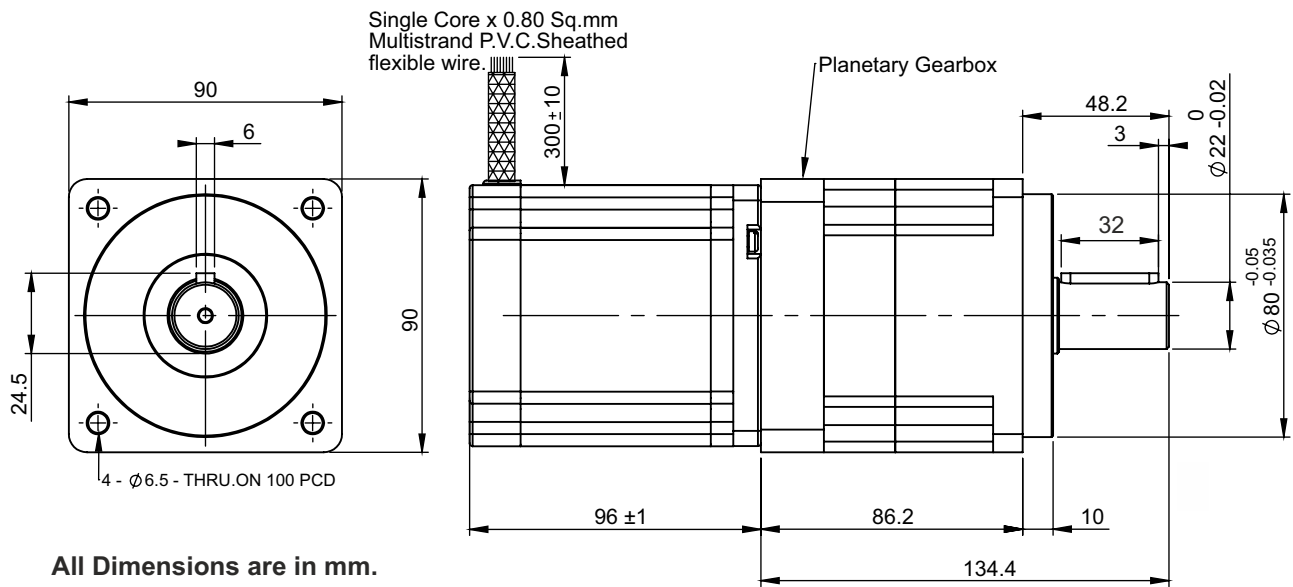
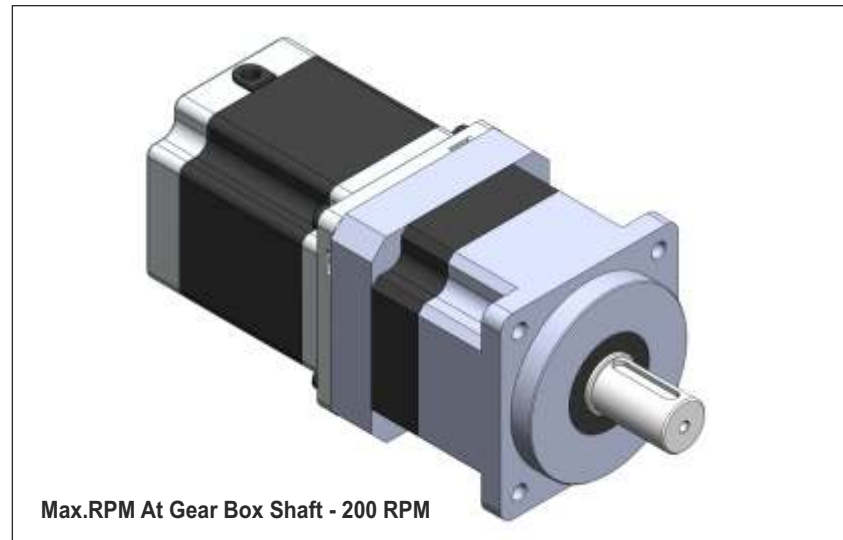
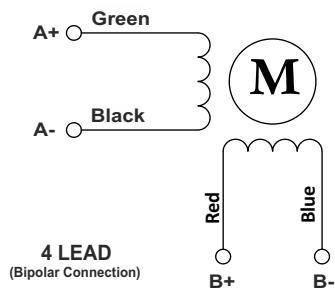


SPECIFICATION SHEET
Bholanath

STEPPER MOTOR
BH86 SH 96 - 5504 PL-20
HIGH TORQUE HYBRID

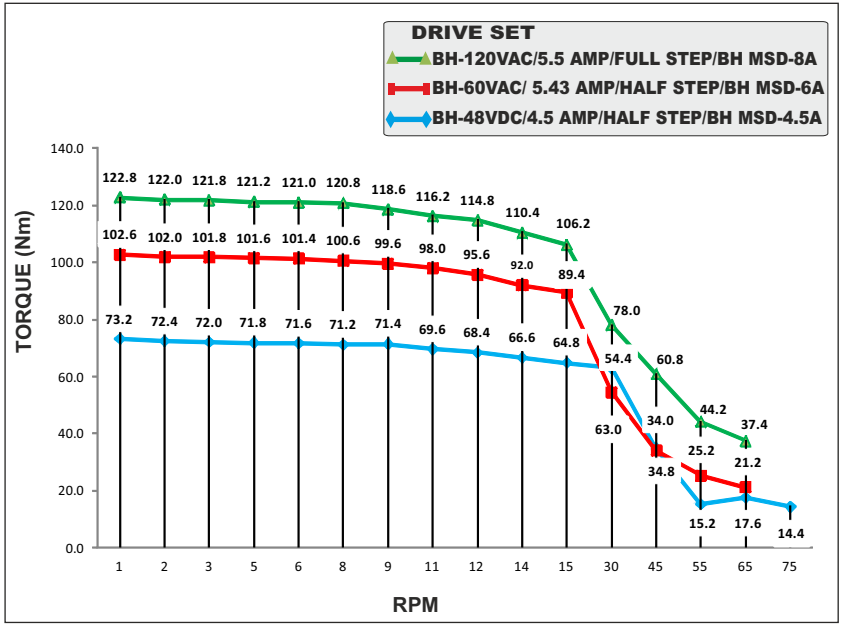


Wiring Diagram



CHARACTERISTICS

Motor - Bipolar
Steps per Revolution - 200
Step Angle - 1.8 degree
Motor Step Angle Accuracy- ± 3 Arc minute
Dimensions - Refer drawing
Weight with Gear box - 6.6 Kg
Insulation Class - Class H
Protection Class - DIN40050 - IP30
Resistance of Insulation - 100M Ω 500 VDC
Resistance per phase - 0.5 Ω
Inductance per phase - 3.55 mH
Normal current per phase - 5.5 Amp
Operating Voltage - 48 to 170 VDC
Operating Voltage - 34 to 120 VAC
Stock Temperature - (-10°C to + 70°C)
Operation Temperature - (-10°C to + 40°C)
Holding Torque Of Motor - 7.0 Nm
Holding Torque with gear Box - 140.0Nm (1400 Kgcm)
Max Radial load(12mm from flange) - ≤ 910N
Max Shaft Axial Load - ≤ 580N
Gear Box Ratio - 20:1
Backlash Arcmin - Precision 10



PLANETARY GEAR BOX STEPPER MOTOR - BH86SH96-5504PL-20