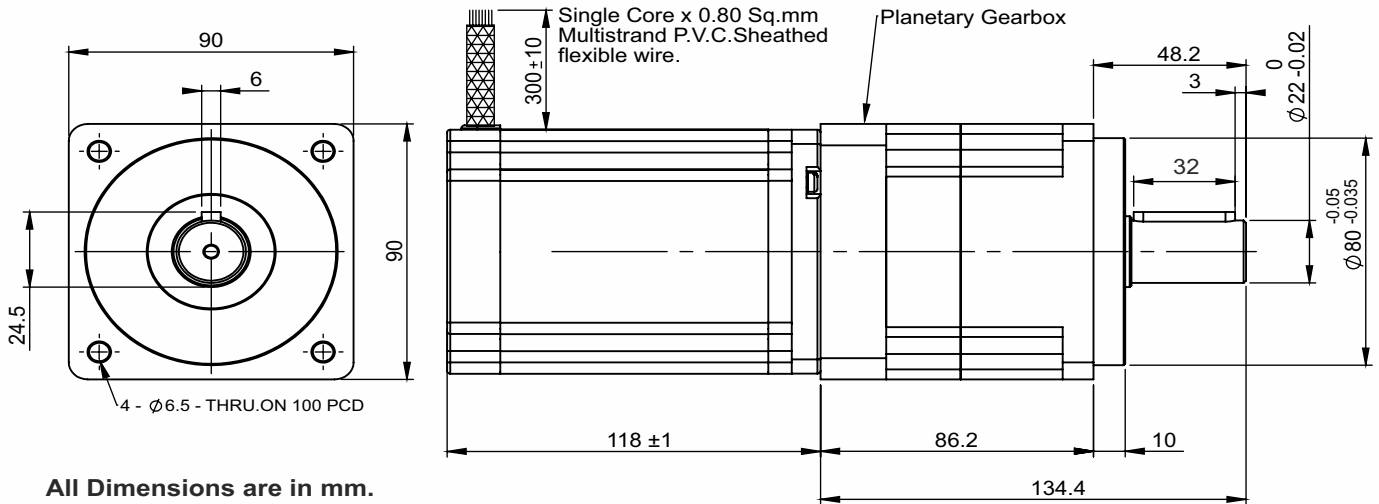


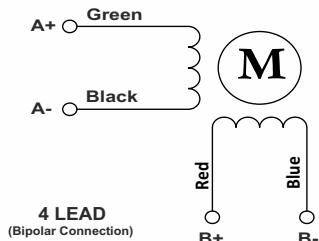
SPECIFICATION SHEET
Bholanath

STEPPER MOTOR
BH86 SH 118 - 6004 PL-10
HIGH TORQUE HYBRID



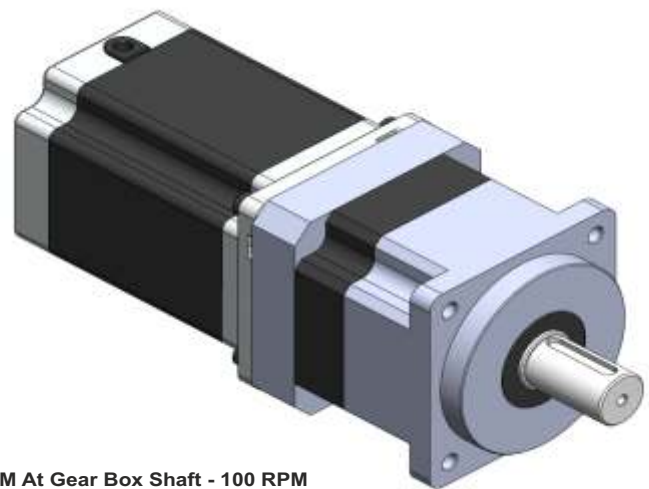
All Dimensions are in mm.

Wiring Diagram

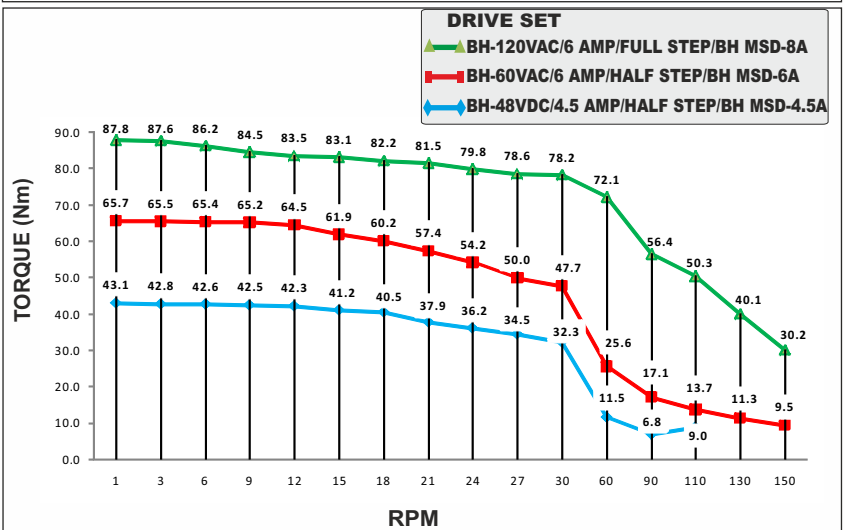


CHARACTERISTICS

- Motor - Bipolar
- Steps per Revolution - 200
- Step Angle - 1.8 degree
- Motor Step Angle Accuracy - ± 3 Arc minute
- Dimensions - Refer drawing
- Weight with Gear box - 6.9 Kg
- Insulation Class - Class H
- Protection Class - DIN40050 - IP30
- Resistance of Insulation - 100M Ω 500 VDC
- Resistance per phase - 0.42 Ω
- Inductance per phase - 4.25 mH
- Normal current per phase - 6 Amp
- Rated Voltage - 2.52
- Operating Voltage - 48 to 170 VDC
- Operating Voltage - 34 to 120 VAC
- Stock Temperature - (-10°C to + 70°C)
- Operation Temperature - (-10°C to + 40°C)
- Holding Torque Of Motor - 8.7 Nm
- Holding Torque with gear Box - 85.0 Nm (850 Kgcm)
- Max Radial load(12mm from flange) - < 910N
- Max Shaft Axial Load - ≤ 580N
- Gear Box Ratio - 10:1
- Backlash Arcmin - Precision 10



Max.RPM At Gear Box Shaft - 100 RPM



PLANETARY GEAR BOX STEPPER MOTOR - BH86SH118-6004PL-10



Bholanath Precision Engineering Pvt.Ltd.

11,Kembros Ind.Estate , Sonapur Lane , Bhandup (W),Mumbai - 400078.

Telefax/Phone : 25662856/25664338/67993260 Email : support@bholanath.in

Mobile No : 9920903825/9821671733/9930514603/9819515543/9323166582.