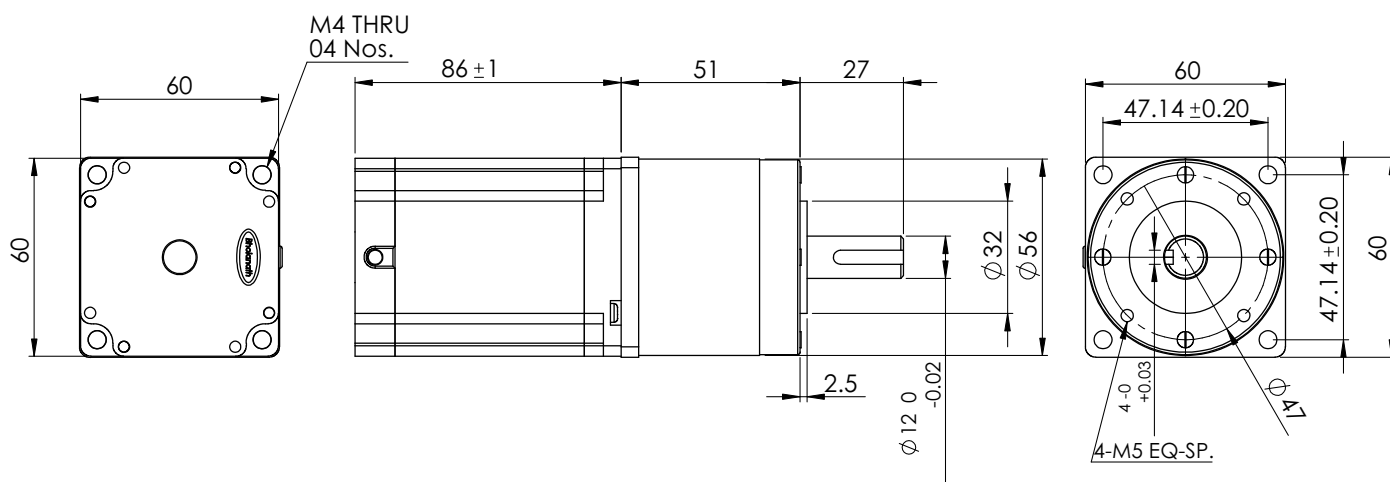
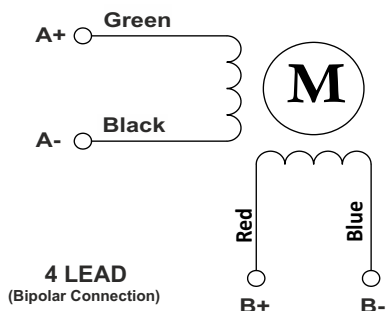


SPECIFICATION SHEET
Bholanath

STEPPER MOTOR
BH60 SH 86 - 4004PL-4.3
HIGH TORQUE HYBRID

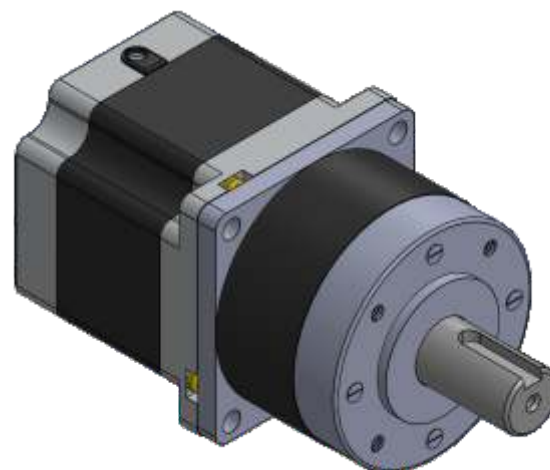


Wiring Diagram

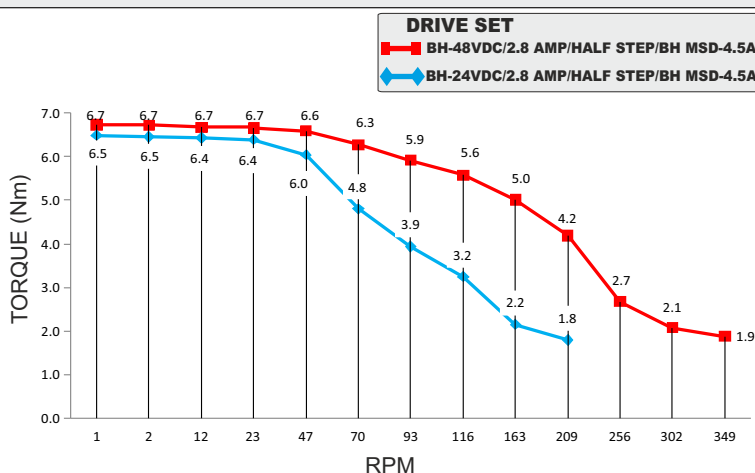


CHARACTERISTICS

Motor - Bipolar
Steps per Revolution - 200
Step Angle - 1.8 degree
Dimensions - Refer drawing
Weight with Gear box - 2.280 Kg
Insulation Class - Class H
Protection Class - DIN40050 - IP30
Resistance of Insulation - 100M Ω 500 VDC
Resistance per phase - 0.69 Ω
Inductance per phase - 2.65 mH
Normal current per phase - 4 Amp
Operating Voltage - 24 to 48 VDC
Stock Temperature - (-10°C to + 70°C)
Operation Temperature - (-10°C to + 40°C)
Holding Torque Of Motor - 3.1 Nm
Holding Torque with gear Box - 13 Nm (130 Kgcm)
Max. Radial Load(12mm from flange) \leq 250N
Max Shaft axial load \leq 100N
Radial Play Of Shaft(near to flange) \leq 0.08mm
Axial Play Of shaft \leq 0.3mm
Gear Box Ratio - 4.3:1
Backlash at no load - 1.5 degree



Max.RPM At Gear Box Shaft - 300 RPM



STEPPER MOTOR - BH60SH86-4004PL-4.3



Bholanath Precision Engineering Pvt.Ltd.

11,Kembros Ind.Estate , Sonapur Lane , Bhandup (W),Mumbai - 400078.

Telefax/Phone : 25662856/25664338/67993260 Email : support@bholanath.in

Mobile No : 9920903825/9821671733/9930514603/9819515543/9323166582.