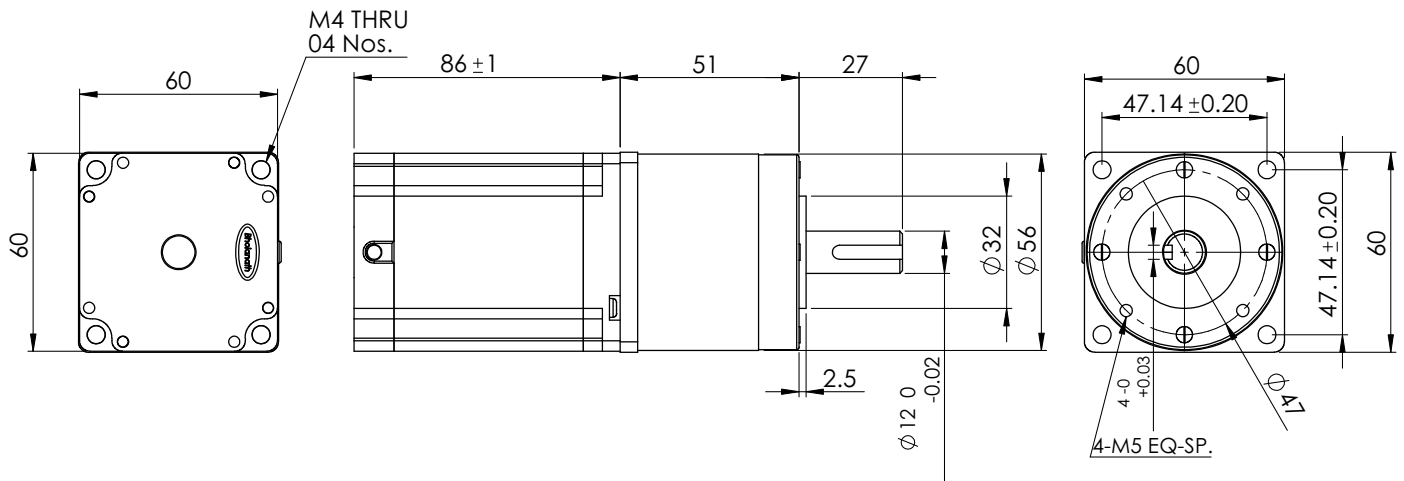
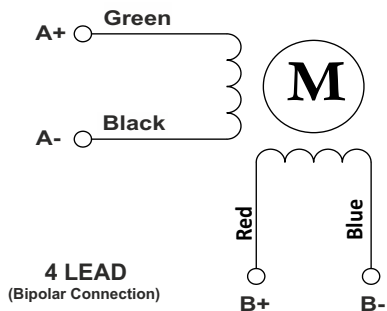


**SPECIFICATION SHEET**  
**Bholanath**

**STEPPER MOTOR**  
**BH60 SH 86 - 4004PL-13**  
**HIGH TORQUE HYBRID**

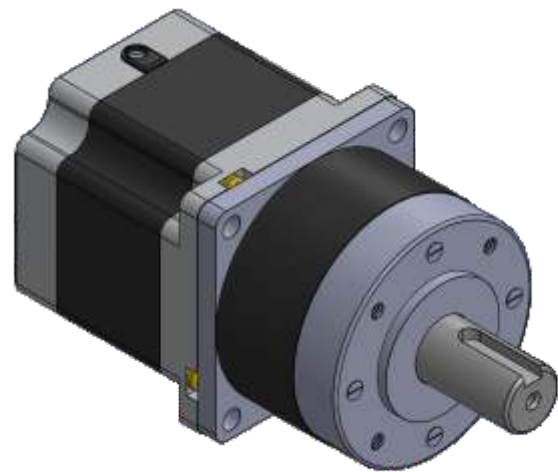


**Wiring Diagram**

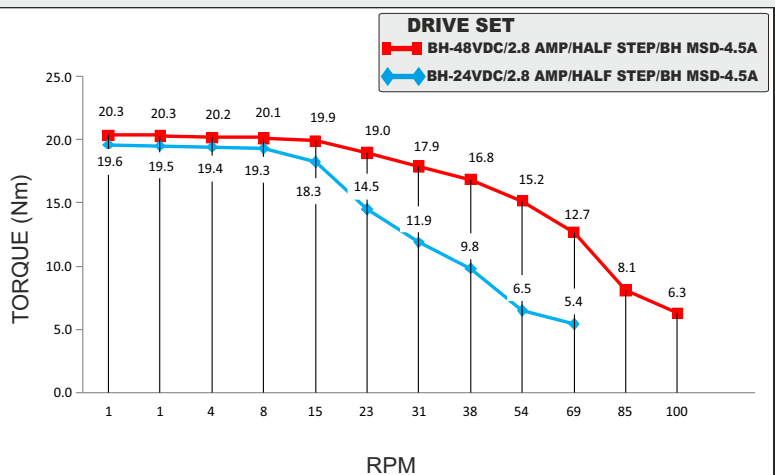


**CHARACTERISTICS**

Motor - Bipolar
Steps per Revolution - 200
Step Angle - 1.8 degree
Dimensions - Refer drawing
Weight with Gear box - 2.280 Kg
Insulation Class - Class H
Protection Class - DIN40050 - IP30
Resistance of Insulation - 100M $\Omega$ 500 VDC
Resistance per phase - 0.69 $\Omega$
Inductance per phase - 2.65 mH
Normal current per phase - 4.0 Amp
Operating Voltage - 24 to 48 VDC
Stock Temperature - (-10°C to + 70°C)
Operation Temperature - (-10°C to + 40°C)
Holding Torque Of Motor - 3.1 Nm
Holding Torque with gear Box - 30 Nm (300 Kgcm)
Max. Radial Load(12mm from flange) $\leq$ 250N
Max Shaft axial load $\leq$ 100N
Radial Play Of Shaft(near to flange) $\leq$ 0.08mm
Axial Play Of shaft $\leq$ 0.3mm
Gear Box Ratio - 13:1
Backlash at no load - 1.5 degree



Max.RPM At Gear Box Shaft - 100 RPM



**STEPPER MOTOR - BH60SH86-4004PL-13**



**Bholanath Precision Engineering Pvt.Ltd.**

11,Kembros Ind.Estate , Sonapur Lane , Bhandup (W),Mumbai - 400078.  
 Telefax/Phone : 25662856/25664338/67993260 Email : support@bholanath.in  
 Mobile No : 9920903825/9821671733/9930514603/9819515543/9323166582.