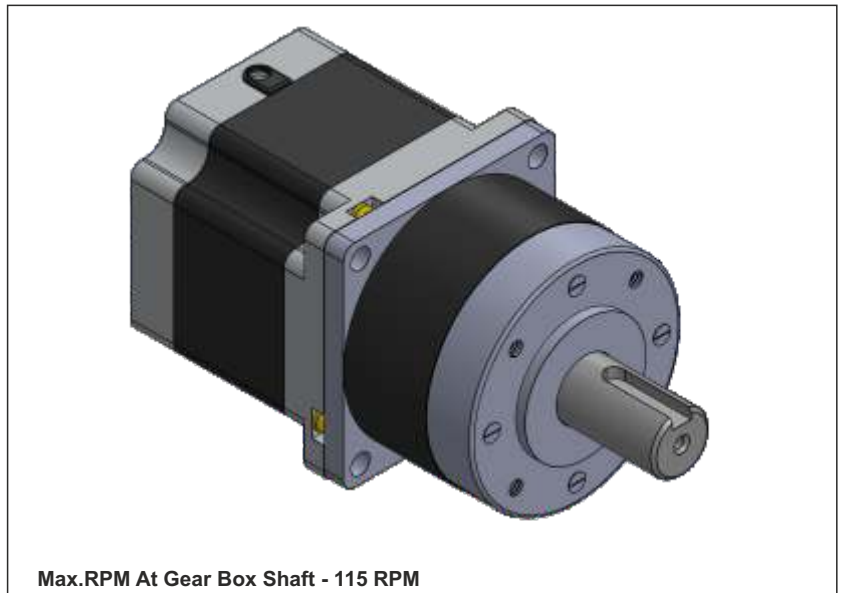
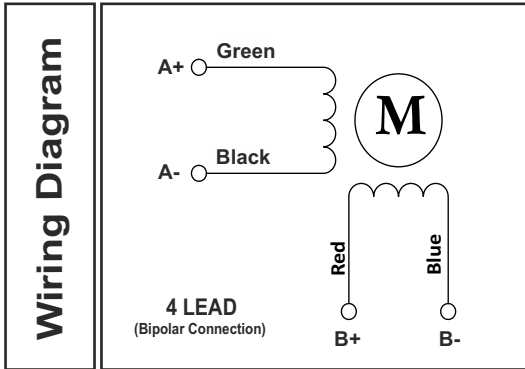
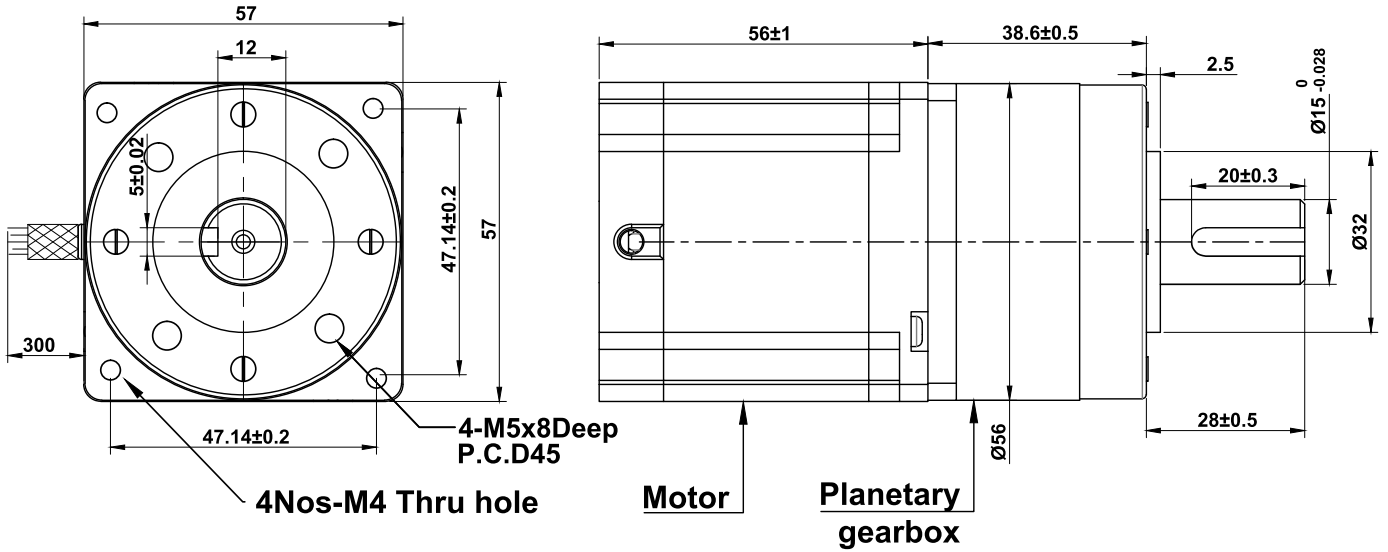


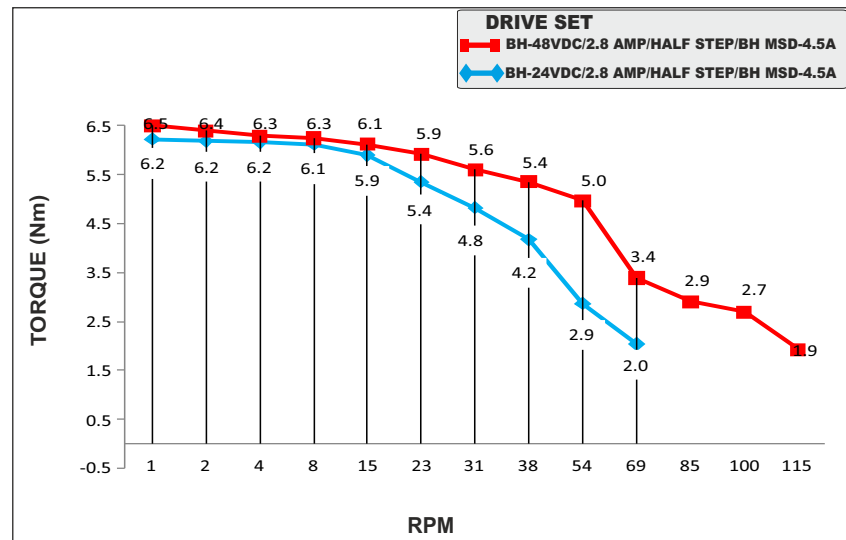
**SPECIFICATION SHEET**  
**Bholanath**

**STEPPER MOTOR**  
**BH57 SH 56 - 2804 PL-13**  
**HIGH TORQUE HYBRID**



**CHARACTERISTICS**

Motor - Bipolar
Steps per Revolution - 200
Step Angle - 1.8 degree
Motor Step Angle Accuracy- ± 3 Arc Minute
Dimensions - Refer drawing
Weight with Gear box - 1.75kg
Insulation Class - Class H
Protection Class - DIN40050 - IP30
Resistance of Insulation - 100M Ω 500 VDC
Resistance per phase - 1.01 Ω
Inductance per phase - 2.5 mH
Normal current per phase - 2 Amp
Operating Voltage - 24 to 48 VDC
Stock Temperature - (-10°C to + 70°C)
Operation Temperature - (-10°C to + 40°C)
Holding Torque Of Motor - 1.26 Nm
Holding Torque with gear Box - 12.8 Nm (128 Kgcm)
Max. Radial Load(12mm from flange) ≤ 250N
Max Shaft axial load ≤ 100N
Radial Play Of Shaft(near to flange) ≤0.08mm
Axial Play Of shaft ≤ 0.3mm
Gear Box Ratio - 13:1
Backlash at no load - 1.2 degree



**PLANETARY GEAR BOX STEPPER MOTOR - BH57SH56-2804PL-13**