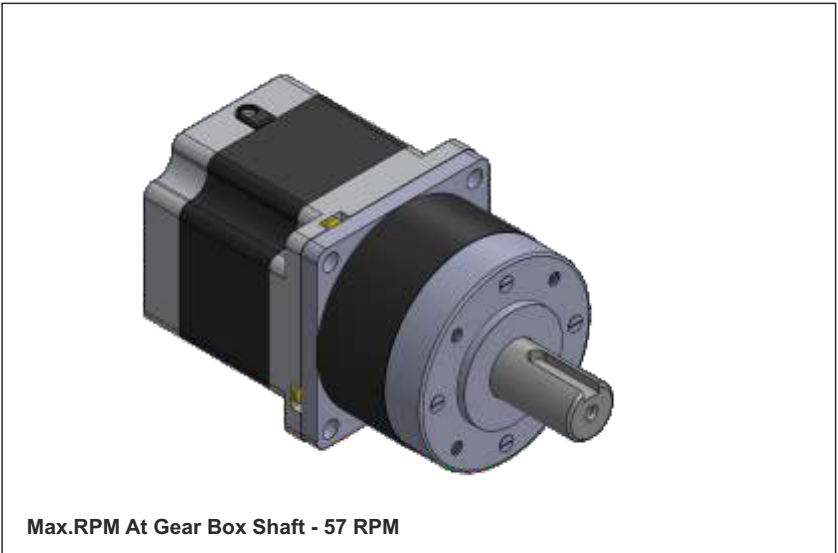
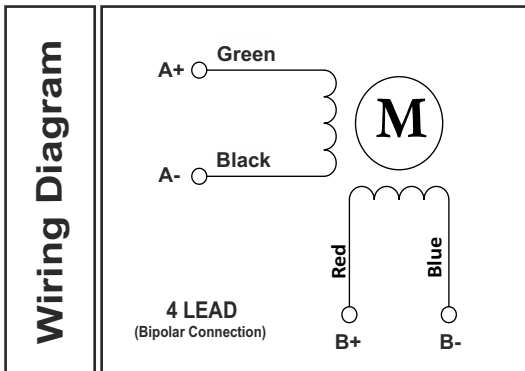
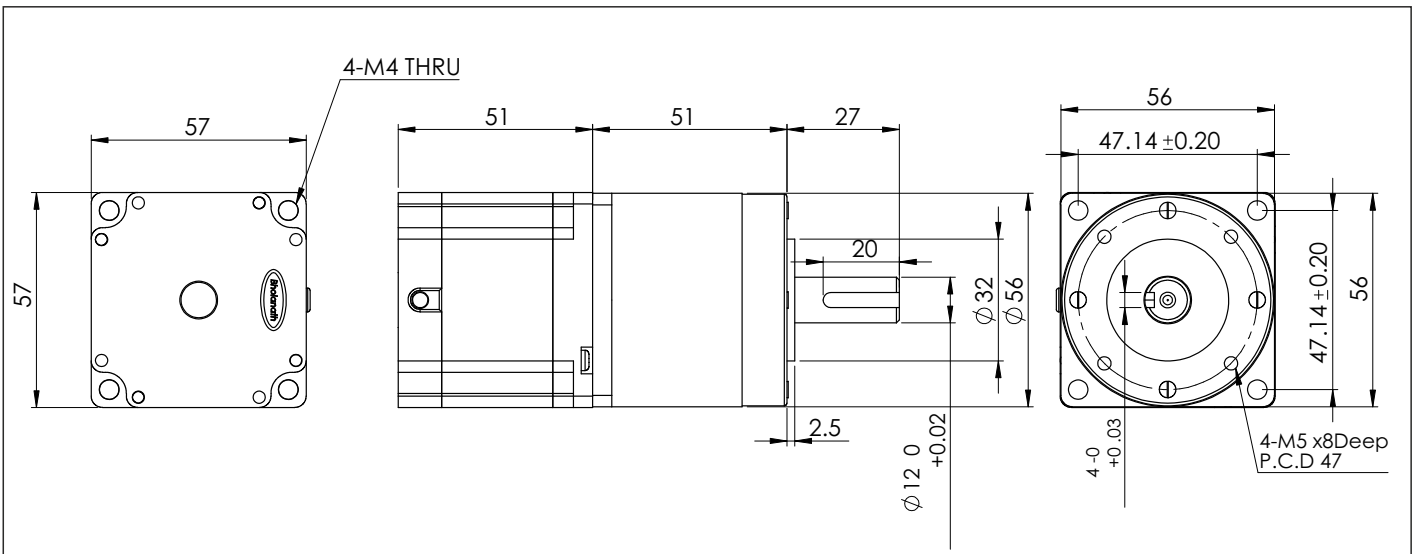


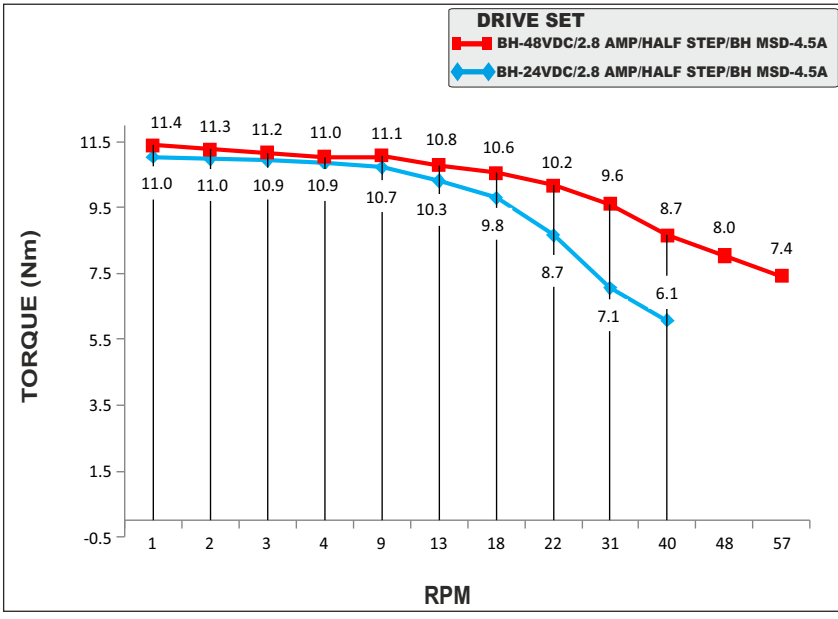
**SPECIFICATION SHEET**  
**Bholanath**

**STEPPER MOTOR**  
**BH57 SH 51 - 2804 PL-22.7**  
**HIGH TORQUE HYBRID**



**CHARACTERISTICS**

Motor - Bipolar
Steps per Revolution - 200
Step Angle - 1.8 degree
Motor Step Angle Accuracy- $\pm 3$ Arc Minute
Dimensions - Refer drawing
Weight with Gear box - 1.5 Kg
Insulation Class - Class H
Protection Class - DIN40050 - IP30
Resistance of Insulation - 100M $\Omega$ 500 VDC
Resistance per phase - 0.88 $\Omega$
Inductance per phase - 2.2 mH
Normal current per phase - 2.8 Amp
Operating Voltage - 24 to 48 VDC
Stock Temperature - (-10°C to + 70°C)
Operation Temperature - (-10°C to + 40°C)
Holding Torque Of Motor - 1.01 Nm
Holding Torque with gear Box - 18.0 Nm (180 Kgcm)
Max. Radial Load(12mm from flange) $\leq 250$ N
Max Shaft axial load $\leq 100$ N
Radial Play Of Shaft(near to flange) $\leq 0.08$ mm
Axial Play Of shaft $\leq 0.3$ mm
Gear Box Ratio - 22.7:1
Backlash at no load - 1.2 degree



**PLANETARY GEAR BOX STEPPER MOTOR - BH57SH51-2804PL-22.7**