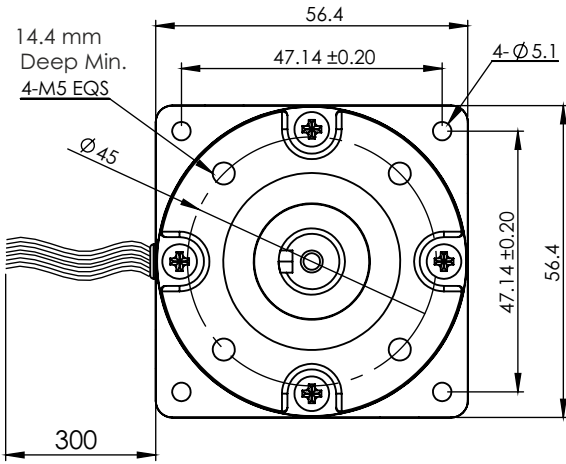


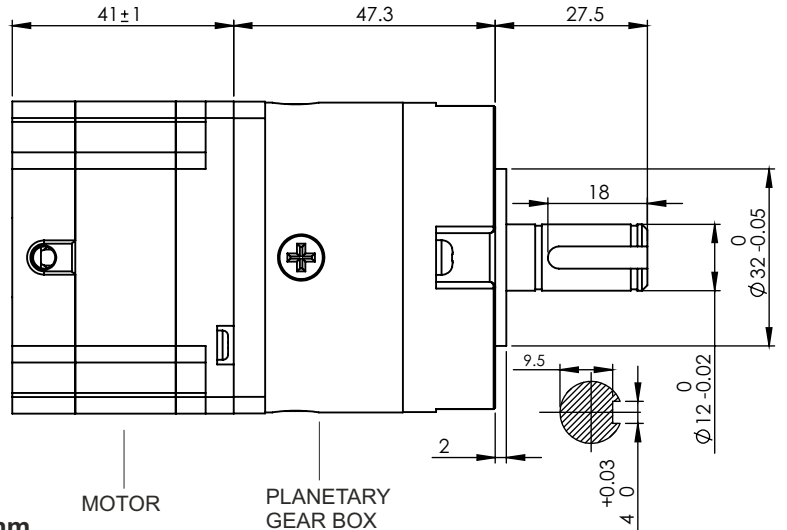
**SPECIFICATION SHEET**  
**Bholanath**

**STEPPER MOTOR**  
**BH57 SH 41 - 2804 PL**  
**HIGH TORQUE HYBRID**



Single Core x 0.34 Sq.mm  
Multistrand P.V.C.Sheathed  
flexible wire.

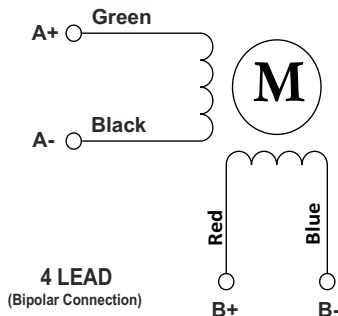
All Dimensions are in mm.



MOTOR

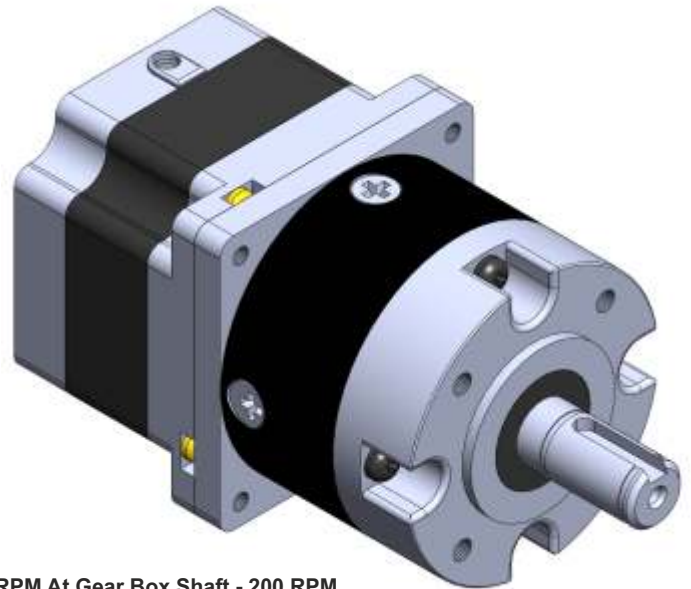
PLANETARY  
GEAR BOX

**Wiring Diagram**

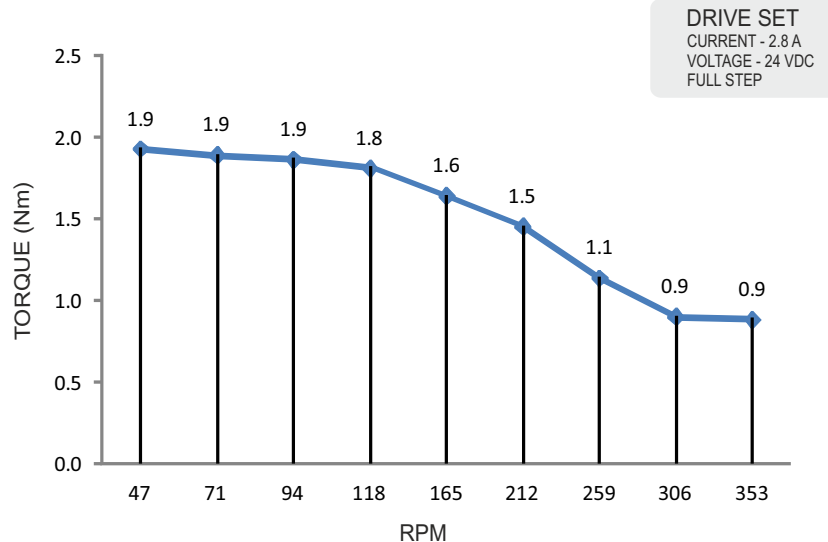


**CHARACTERISTICS**

- Motor - Bipolar
- Steps per Revolution - 200
- Step Angle - 1.8 degree
- Motor Step Angle Accuracy- ± 3 Arc Minute
- Dimensions - Refer drawing
- Weight with Gear box - 931 g
- Insulation Class - Class H
- Protection Class - DIN40050 - IP30
- Resistance of Insulation - 100M Ω 500 VDC
- Resistance per phase - 0.95 Ω
- Inductance per phase - 1.8 mH
- Normal current per phase - 2.8 Amp
- Operating Voltage - 12 to 24 VDC
- Stock Temperature - (-10°C to + 70°C)
- Operation Temperature - (-10°C to + 40°C)
- Holding Torque Of Motor - 5.5 Nm
- Holding Torque with gear Box - 2.1 Nm (21 Kgcm)
- Max. Radial Load(12mm from flange) ≤ 250N
- Max Shaft axial load ≤ 100N
- Radial Play Of Shaft(near to flange) ≤ 0.08mm
- Axial Play Of shaft ≤ 0.3mm
- Gear Box Ratio - 4.25:1
- Backlash at no load - 1.5 degree



Max.RPM At Gear Box Shaft - 200 RPM



**PLANETARY GEAR BOX STEPPER MOTOR - BH57SH41-2804PL**