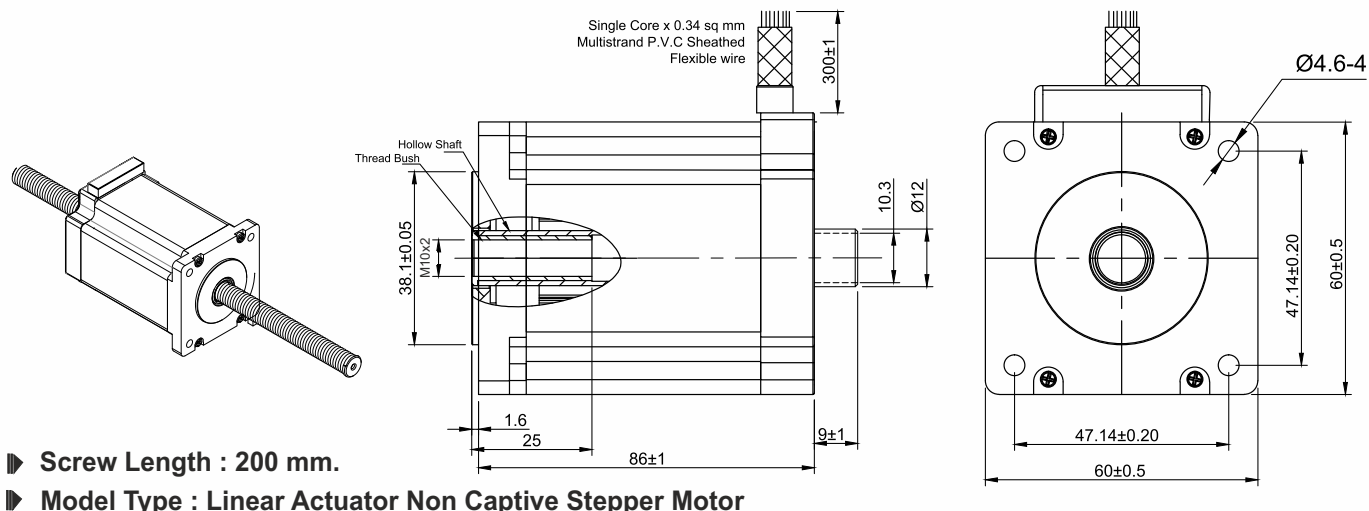


SPECIFICATION SHEET
Bholanath

STEPPER MOTOR
BH60 SH 86 - 4004LA-NC (M10X2)
HIGH TORQUE HYBRID

Bholanath™
COMMITTED TO PRECISION



TECHNICAL DATA

CHARACTERISTICS

Step Angle - 1.8°

Step Angle Accuracy - ± 3 Arc Minute

Insulation Class - H

Ambient Temperature - - 20°C + 50°C

Temperature Rise - 80°C Max.
(Rated Current Phase 2 ON)

Insulation Resistance
100 M Ohms Min.500 VDC

Dielectric Strength
500 VAC For One Minute

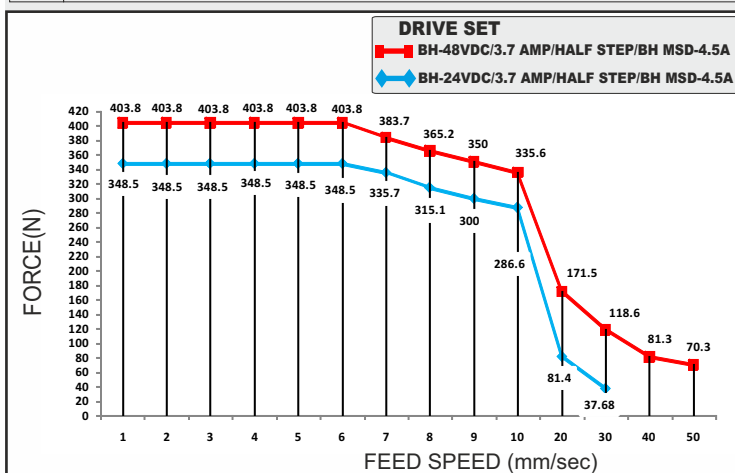
Shaft Radial Play
0.02 Max. Play (450 G Load)

Shaft Axial Play
0.08 Max. Play (450 G Load)

Max.Radial Force
75 N (20MM From Front Flange)

SPECIFICATION BH60SH86 - 4004 LA-NC(M10X2)

	MODEL		Bipolar
1	Rated Voltage	V	2.76
2	Current / Phase	A	4
3	Resistance / Phase	± 10% Ω	0.69
4	Inductance / Phase	± 20% mH	2.65
5	Holding Torque	Nm	3.1
6	Rotor Inertia	G-CM ²	840
7	Weight	KG.	1.4
8	No of Lead	N ^o	4
9	Operating Voltage	VDC	24 - 48
10	Linear Step size - 10 micron per full step		



STEPPER MOTOR - BH60SH86-4004LA-NC(M10X2)

Bholanath™

COMMITTED TO PRECISION

BHOLANATH COOL STEPPERS™

Bholanath Precision Engineering Pvt.Ltd.

11,Kembros Ind.Estate , Sonapur Lane , Bhandup (W),Mumbai - 400078.

Telefax/Phone : 25662856/25664338/67993260 Email : support@bholanath.in

Mobile No : 9920903825/9821671733/9930514603/9819515543/9323166582.