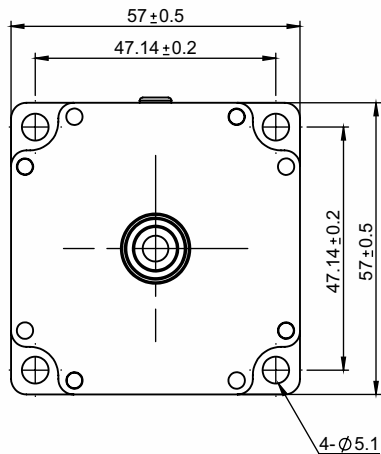


SPECIFICATION SHEET
Bholanath

STEPPER MOTOR
BH 57 SH 76 - 2804 LA-NC (TR8 X8)
HIGH TORQUE HYBRID

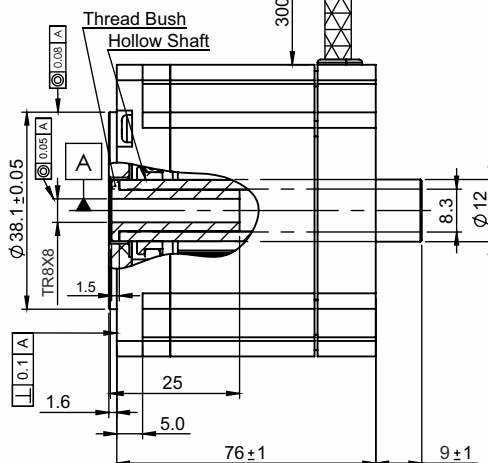


Front View & Mounting

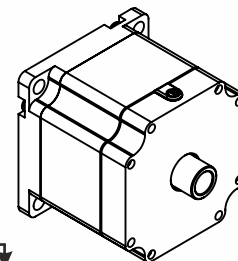
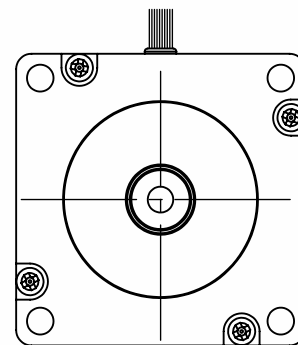


Single Core x 0.34 Sq.mm
Multistrand P.V.C. Sheathed
flexible wire.

Side View



Rear View



- Screw Length : 200 mm.
- Model Type : Linear Actuator Non Captive Stepper Motor

TECHNICAL DATA

CHARACTERISTICS

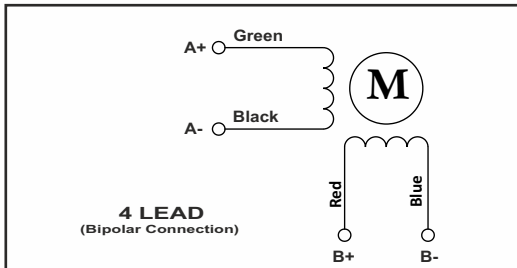
- Step Angle - 1.8°
- Step Angle Accuracy - ± 3 Arc Minute
- Insulation Class - H
- Ambient Temperature - (- 20°C to + 50°C)
- Temperature Rise - 80°C Max.
(Rated Current Phase 2 ON)
- Insulation Resistance
100 M Ohms Min.500 VDC
- Dielectric Strength
500 VAC For One Minute
- Shaft Radial Play
0.02 Max. Play (450 G Load)
- Shaft Axial Play
0.08 Max. Play (450 G Load)
- Max.Radial Force
75 N (20MM From Front Flange)

SPECIFICATION

BH 57 SH 76 - 2804 LA-NC (TR8 X 8)

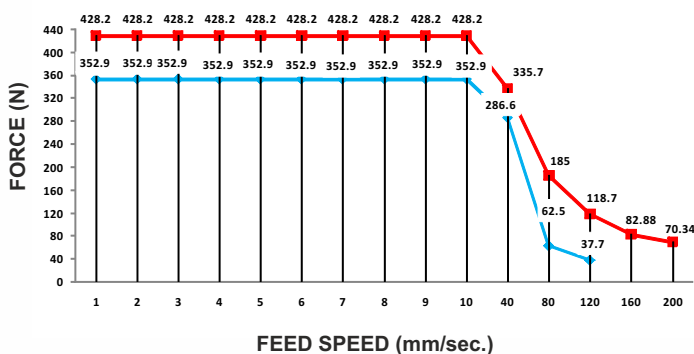
| MODEL | Bipolar |
|--|-------------|
| 1 Rated Voltage | V 3.36 |
| 2 Current / Phase | A 2.8 |
| 3 Resistance / Phase ± 10% Ω | 1.2 |
| 4 Inductance / Phase ± 20% mH | 4.5 |
| 5 Holding Torque | Nm 1.89 |
| 6 Weight | KG. 1.250 |
| 7 No of Lead | N° 4 |
| 8 Operating Voltage | VDC 24 - 48 |
| 9 Linear Step size - 40 micron per full step | |

Wiring Diagram



DRIVE SET

- BH-48VDC/2.8 AMP/HALF STEP/BH MSD-4.5A
- ◆ BH-24VDC/2.8 AMP/HALF STEP/BH MSD-4.5A



Bholanath Precision Engineering Pvt.Ltd.

11,Kembros Ind.Estate , Sonapur Lane , Bhandup (W),Mumbai - 400078.
Telefax/Phone : 25662856/25664338/67993260 Email : support@bholanath.in
Mobile No : 9920903825/9821671733/9930514603/9819515543/9323166582.