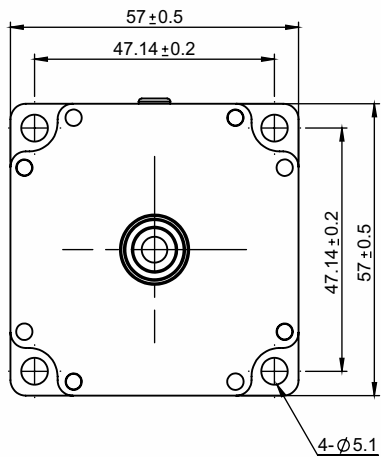


SPECIFICATION SHEET
Bholanath

STEPPER MOTOR
BH 57 SH 51 - 2804 LA-NC(M10X1.5)
HIGH TORQUE HYBRID

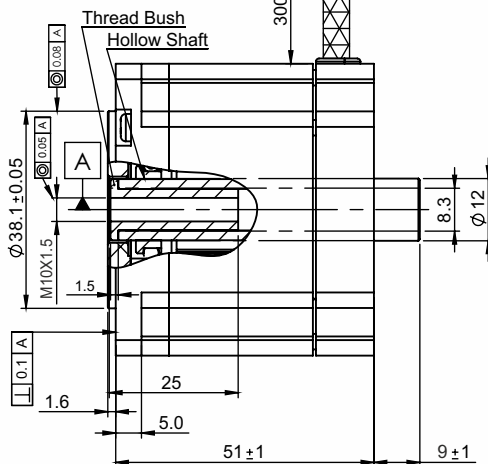


Front View & Mounting

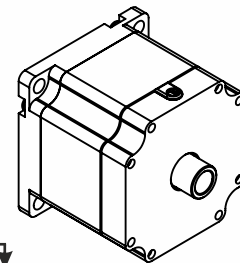
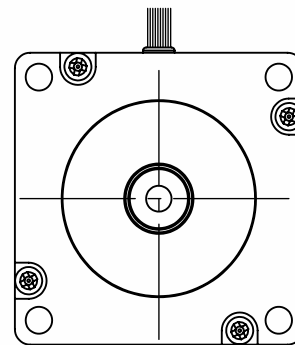


Single Core x 0.34 Sq.mm
Multistrand P.V.C.Sheathed
flexible wire.

Side View



Rear View



- Screw Length : 200 mm.
- Model Type : Linear Actuator Non Captive Stepper Motor

TECHNICAL DATA

CHARACTERISTICS

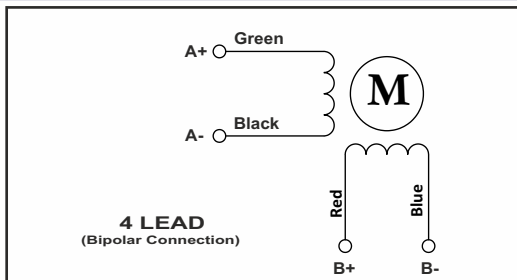
- Step Angle - 1.8°
- Step Angle Accuracy - ± 3 Arc Minute
- Insulation Class - H
- Ambient Temperature - (- 20°C to + 50°C)
- Temperature Rise - 80°C Max. (Rated Current Phase 2 ON)
- Insulation Resistance 100 M Ohms Min.500 VDC
- Dielectric Strength 500 VAC For One Minute
- Shaft Radial Play 0.02 Max. Play (450 G Load)
- Shaft Axial Play 0.08 Max. Play (450 G Load)
- Max.Radial Force 75 N (20MM From Front Flange)

SPECIFICATION

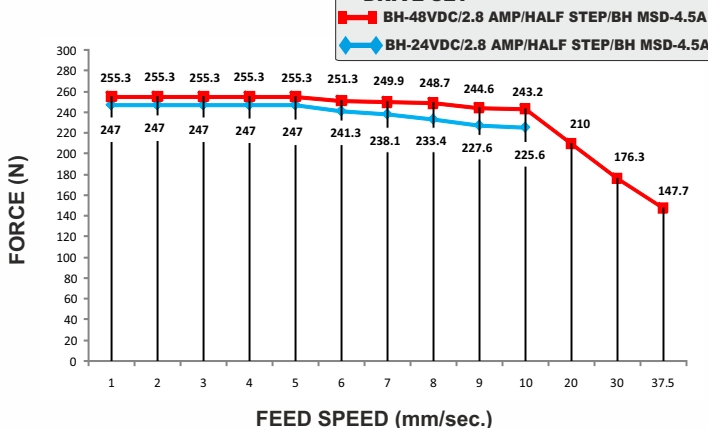
BH 57 SH 51 - 2804 LA-NC(M10X1.5)

MODEL	Bipolar	
1 Rated Voltage	V	2.46
2 Current / Phase	A	2.8
3 Resistance / Phase ± 10% Ω		0.88
4 Inductance / Phase ± 20% mH		2.2
5 Holding Torque	Nm	1.01
6 Weight	KG.	0.850
7 No of Lead	N°	4
8 Operating Voltage	VDC	24 - 48
9 Linear Step size - 7.5 micron per full step		

Wiring Diagram



DRIVE SET



Bholanath Precision Engineering Pvt.Ltd.

11,Kembros Ind.Estate , Sonapur Lane , Bhandup (W),Mumbai - 400078.
Telefax/Phone : 25662856/25664338/67993260 Email : support@bholanath.in
Mobile No : 9920903825/9821671733/9930514603/9819515543/9323166582.