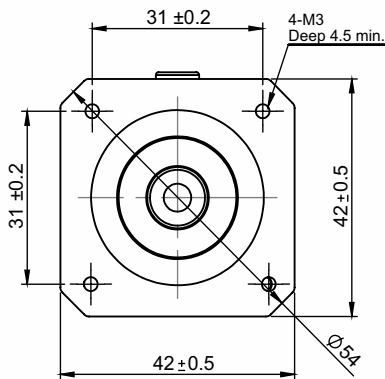


SPECIFICATION SHEET
Bholanath

STEPPER MOTOR
BH 42 SH 47 - 1704 LA-NC (T6X2)
HIGH TORQUE HYBRID

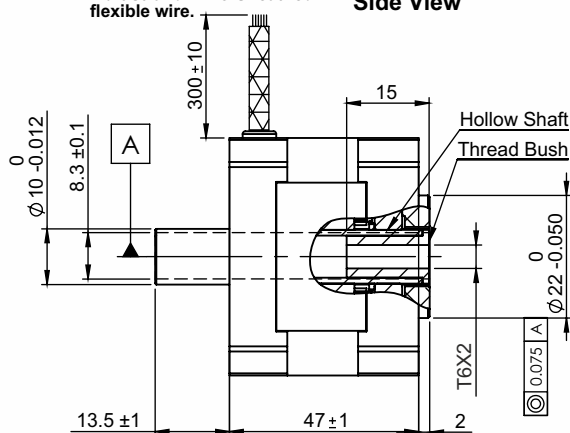


Front View & Mounting

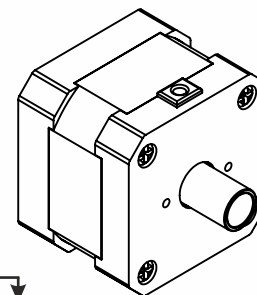
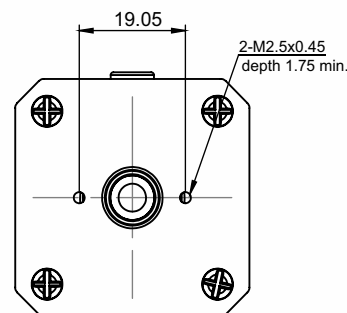


Single Core x 0.21 Sq.mm
Multistrand P.V.C. Sheathed
flexible wire.

Side View



Rear View



- Screw Length : 200 mm.
- Model Type : Linear Actuator Non Captive Stepper Motor

TECHNICAL DATA

CHARACTERISTICS

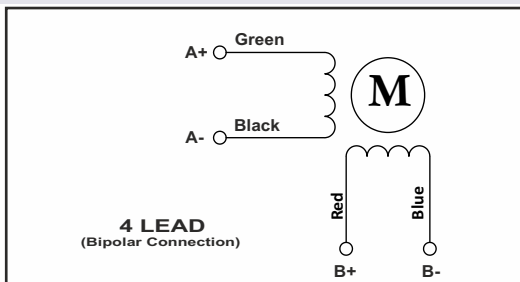
- Step Angle - 1.8°
- Step Angle Accuracy - ± 3 Arc Minute
- Insulation Class - H
- Ambient Temperature - (- 20°C to + 50°C)
- Temperature Rise - 80°C Max. (Rated Current Phase 2 ON)
- Insulation Resistance 100 M Ohms Min. 500 VDC
- Dielectric Strength 500 VAC For One Minute
- Shaft Radial Play 0.02 Max. Play (450 G Load)
- Shaft Axial Play 0.08 Max. Play (450 G Load)
- Max.Radial Force 28 N (20MM From Front Flange)

SPECIFICATION

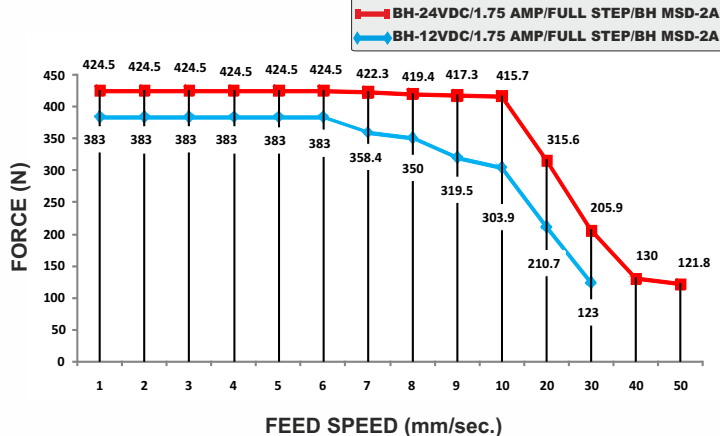
BH 42 SH 47 - 1704 LA-NC (T6X2)

| | MODEL | | Bipolar |
|---|--|----------|---------|
| 1 | Rated Voltage | V | 2.8 |
| 2 | Current / Phase | A | 1.7 |
| 3 | Resistance / Phase | ± 10% Ω | 1.7 |
| 4 | Inductance / Phase | ± 20% mH | 2.5 |
| 5 | Holding Torque | Nm | 0.44 |
| 6 | Weight | KG. | 0.475 |
| 7 | No of Lead | N° | 4 |
| 8 | Operating Voltage | VDC | 12 - 24 |
| 9 | Linear Step size - 10 micron per full step | | |

Wiring Diagram



DRIVE SET



Bholanath Precision Engineering Pvt.Ltd.

11,Kembros Ind.Estate , Sonapur Lane , Bhandup (W),Mumbai - 400078.
Telefax/Phone : 25662856/25664338/67993260 Email : support@bholanath.in
Mobile No : 9920903825/9821671733/9930514603/9819515543/9323166582.