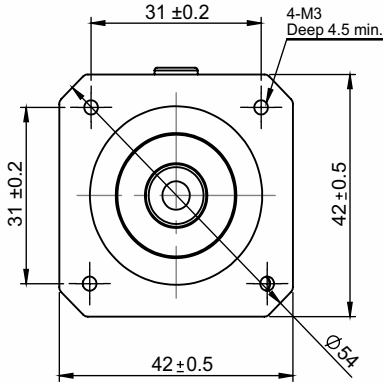


SPECIFICATION SHEET
Bholanath

STEPPER MOTOR
BH 42 SH 47-1504 LA-NC(M6 X 1)
HIGH TORQUE HYBRID

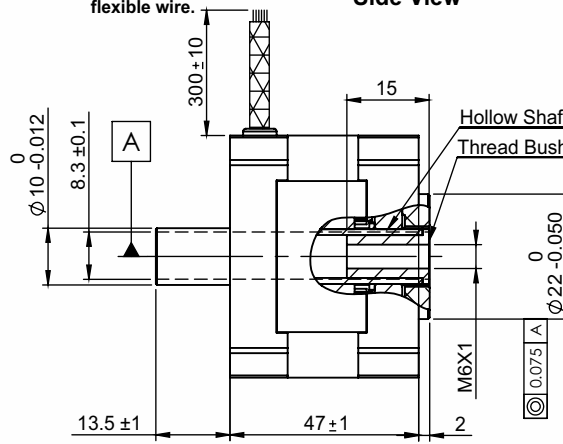


Front View & Mounting

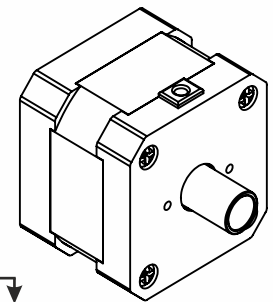
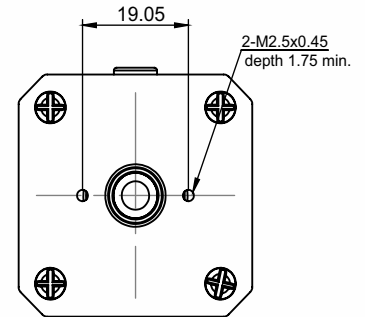


Single Core x 0.21 Sq.mm
Multistrand P.V.C. Sheathed
flexible wire.

Side View



Rear View



- ▶ Screw Length : 200 mm.
- ▶ Model Type : Linear Actuator Non Captive Stepper Motor

TECHNICAL DATA

CHARACTERISTICS

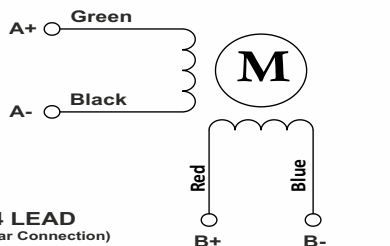
- Step Angle - 1.8°
- Step Angle Accuracy - ± 3 Arc Minute
- Insulation Class - H
- Ambient Temperature - (- 20°C to + 50°C)
- Temperature Rise - 80°C Max.
(Rated Current Phase 2 ON)
- Insulation Resistance
100 M Ohms Min.500 VDC
- Dielectric Strength
500 VAC For One Minute
- Shaft Radial Play
0.02 Max. Play (450 G Load)
- Shaft Axial Play
0.08 Max. Play (450 G Load)
- Max.Radial Force
28 N (20MM From Front Flange)

SPECIFICATION

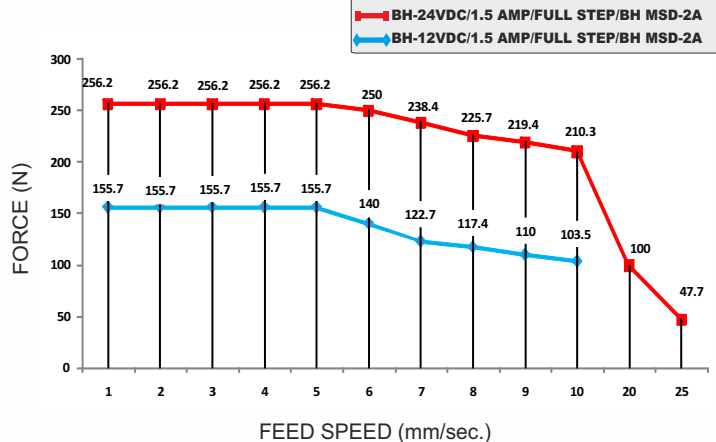
BH 42 SH 47-1504 LA-NC (M6 X 1)

	MODEL		Bipolar
1	Rated Voltage	V	4.2
2	Current / Phase	A	1.5
3	Resistance / Phase ± 10%	Ω	2.8
4	Inductance / Phase ± 20%	mH	5.7
5	Holding Torque	Nm	0.55
6	Weight	KG.	0.475
7	No of Lead	N ^o	4
8	Operating Voltage	VDC	12 - 24
9	Linear Step size - 5 micron per full step		

Wiring Diagram



DRIVE SET



Bholanath Precision Engineering Pvt.Ltd.

COMMITTED TO PRECISION

11, Kembros Ind.Estate , Sonapur Lane , Bhandup (W), Mumbai - 400078.

BHOLANATH COOL STEPPERS™

Telefax/Phone : 25662856/25664338/67993260 Email : support@bholanath.in

Mobile No : 9920903825/9821671733/9930514603/9819515543/9323166582.