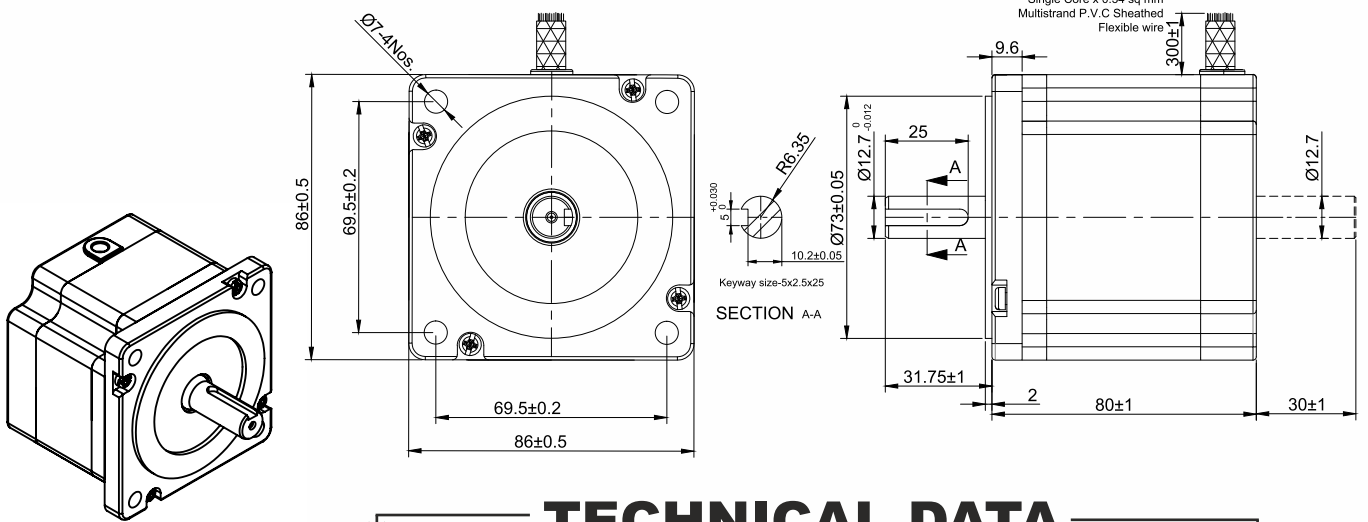
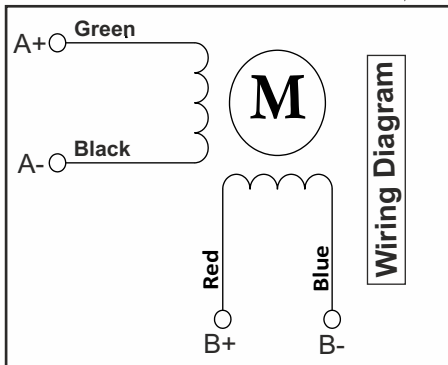


SPECIFICATION SHEET
Bholanath

STEPPER MOTOR
BH86 SH 80 - 4004AK
HIGH TORQUE HYBRID



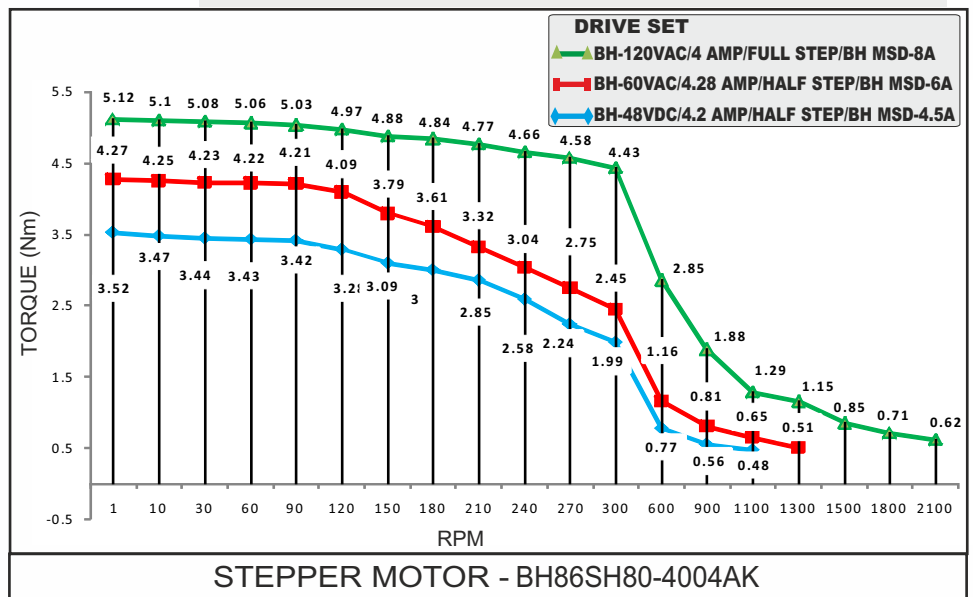
TECHNICAL DATA



| SPECIFICATION | | BH86SH80 - 4004 AK | |
|---------------|--------------------|--------------------|----------|
| MODEL | | Bipolar | |
| 1 | Rated Voltage | V | 4 |
| 2 | Current / Phase | A | 4 |
| 3 | Resistance / Phase | ± 10% Ω | 1.0 |
| 4 | Inductance / Phase | ± 20% mH | 9.7 |
| 5 | Holding Torque | Nm | 4.6 |
| 6 | Rotor Inertia | G-CM ² | 1400 |
| 7 | Weight | KG. | 2.5 |
| 8 | No of Lead | N ⁰ | 4 |
| 9 | Operating Voltage | VDC | 48 - 170 |
| 10 | Operating Voltage | VAC | 34 - 120 |

CHARACTERISTICS

| |
|---|
| Step Angle - 1.8 ⁰ |
| Step Angle Accuracy - ± 3 Arc Minute |
| Insulation Class - H |
| Ambient Temperature - - 20 ⁰ C + 50 ⁰ C |
| Temperature Rise - 80 ⁰ C Max. (Rated Current Phase 2 ON) |
| Insulation Resistance 100 M Ohms Min.500 VDC |
| Dielectric Strength 820 VAC For One Minute |
| Shaft Radial Play 0.02 Max. Play (450 G Load) |
| Shaft Axial Play 0.08 Max. Play (450 G Load) |
| Max.Radial Force 220 N (20MM From Front Flange) |
| Max.Axial Force 60 N |



Bholanath Precision Engineering Pvt.Ltd.

11,Kembros Ind.Estate , Sonapur Lane , Bhandup (W),Mumbai - 400078.
Telefax/Phone : 25662856/25664338/67993260 Email : support@bholanath.in
Mobile No : 9920903825/9821671733/9930514603/9819515543/9323166582.