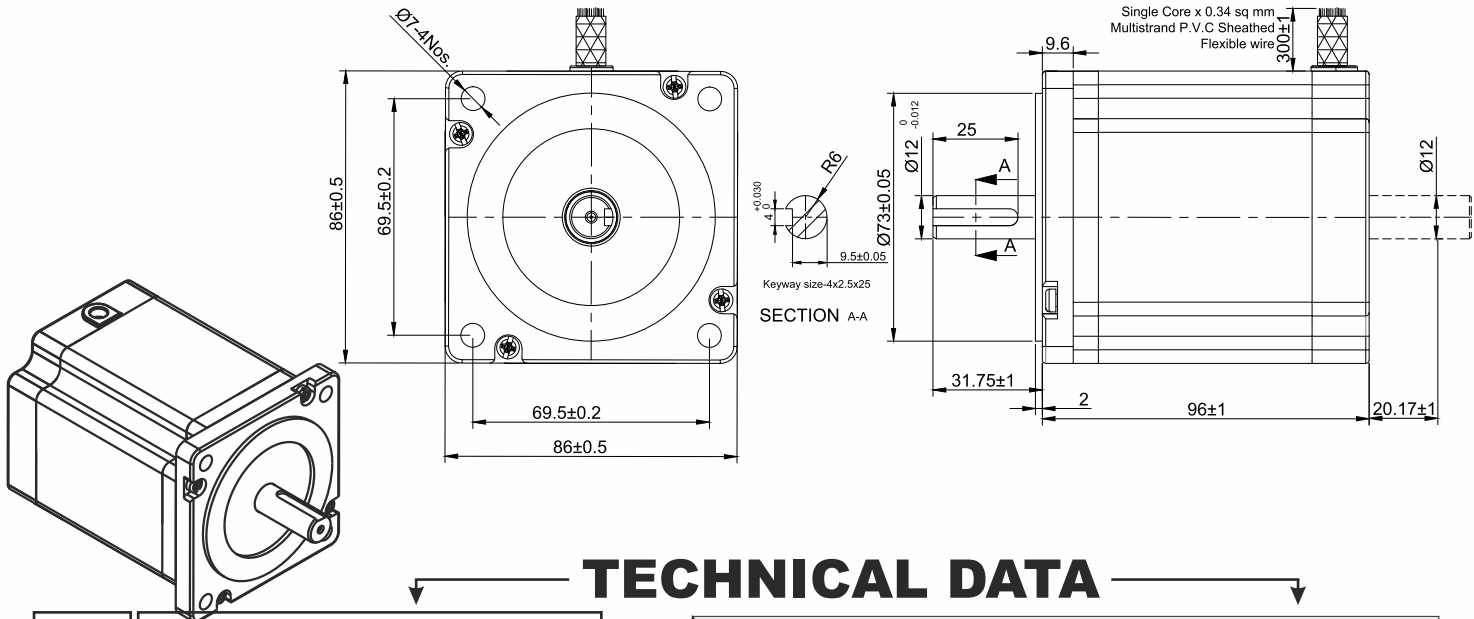
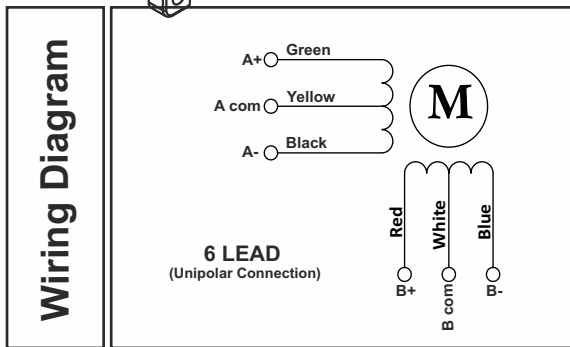


SPECIFICATION SHEET
Bholanath

STEPPER MOTOR
BH86 SH 96 - 4006AKS
HIGH TORQUE HYBRID

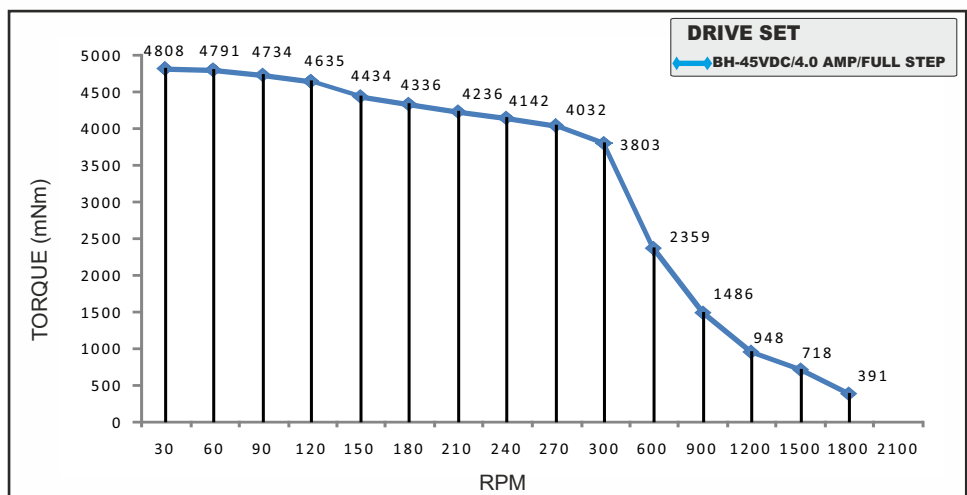


TECHNICAL DATA



SPECIFICATION		BH86SH96 - 4006 AKS	
MODEL		Unipolar	
1	Rated Voltage	V	4.04
2	Current / Phase	A	4
3	Resistance / Phase	± 10% Ω	1.01
4	Inductance / Phase	± 20% mH	3.5
5	Holding Torque	Nm	4.13
6	Rotor Inertia	G-CM ²	2700
7	Weight	KG.	3.1
8	No of Lead	N ⁰	6
9	Operating Voltage	VDC	24 - 90

CHARACTERISTICS
Step Angle - 1.8 ⁰
Step Angle Accuracy - ± 3 Arc Minute
Insulation Class - H
Ambient Temperature - - 20 ⁰ C + 50 ⁰ C
Temperature Rise - 80 ⁰ C Max. (Rated Current Phase 2 ON)
Insulation Resistance 100 M Ohms Min.500 VDC
Dielectric Strength 820 VAC For One Minute
Shaft Radial Play 0.02 Max. Play (450 G Load)
Shaft Axial Play 0.08 Max. Play (450 G Load)
Max.Radial Force 220 N (20MM From Front Flange)
Max.Axial Force 60 N



STEPPER MOTOR - BH86SH96-4006AKS



Bholanath Precision Engineering Pvt.Ltd.

11,Kembros Ind.Estate , Sonapur Lane , Bhandup (W),Mumbai - 400078.
Telefax/Phone : 25662856/25664338/67993260 Email : support@bholanath.in
Mobile No : 9920903825/9821671733/9930514603/9819515543/9323166582.