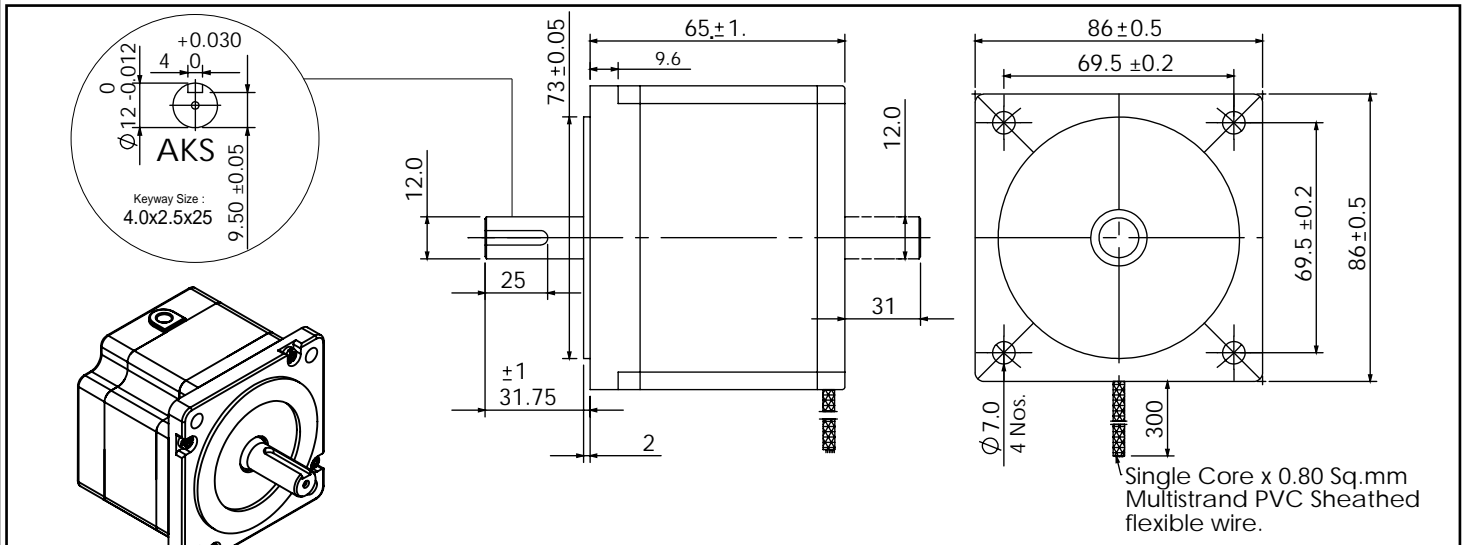
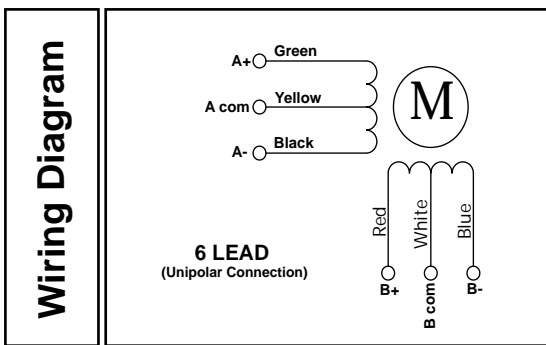


SPECIFICATION SHEET
Bholanath

STEPPER MOTOR
BH86 SH 65 - 4206AKS
HIGH TORQUE HYBRID



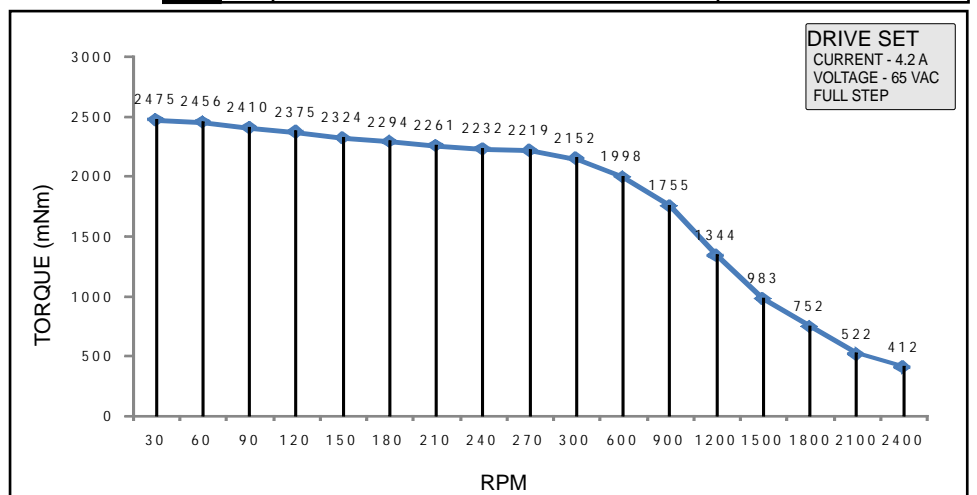
TECHNICAL DATA



SPECIFICATION	MODEL		Unipolar
	1	Operating Voltage	VDC
2	Rated Voltage	V	2.6
3	Current / Phase	A	4.2
4	Resistance / Phase	± 10% Ω	0.62
5	Inductance / Phase	± 20% mH	1.31
6	Holding Torque	Nm	2.8
7	Rotor Inertia	G-CM ²	1000
8	Weight	KG.	1.85
9	No of Lead	N ^o	6

CHARACTERISTICS

Step Angle - 1.8°
Step Angle Accuracy - ± 5%
Insulation Class - H
Ambient Temperature - - 20°C + 50°C
Temperature Rise - 80°C Max. (Rated Current Phase 2 ON)
Insulation Resistance 100 M Ohms Min.500 VDC
Dielectric Strength 820 VAC For One Minute
Shaft Radial Play 0.02 Max. Play (450 G Load)
Shaft Axial Play 0.08 Max. Play (450 G Load)
Max.Radial Force 220 N (20MM From Front Flange)
Max.Axial Force 60 N



STEPPER MOTOR - BH86SH65-4206AKS



Bholanath Precision Engineering Pvt.Ltd.

11, Kembros Ind.Estate , Sonapur Lane , Bhandup (W), Mumbai - 400078.

BHOLANATH COOL STEPPERS™

Telefax/Phone : 25662856/25664338/67993260 Email : support@bholanath.in

Mobile No : 9920903825/9821671733/9930514603/9819515543/9323166582.