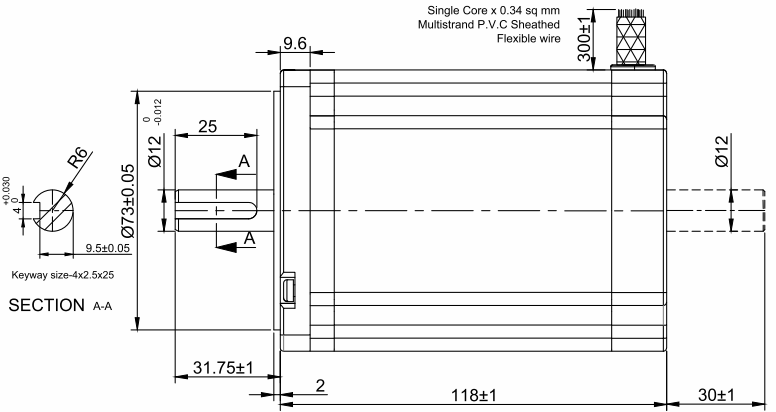
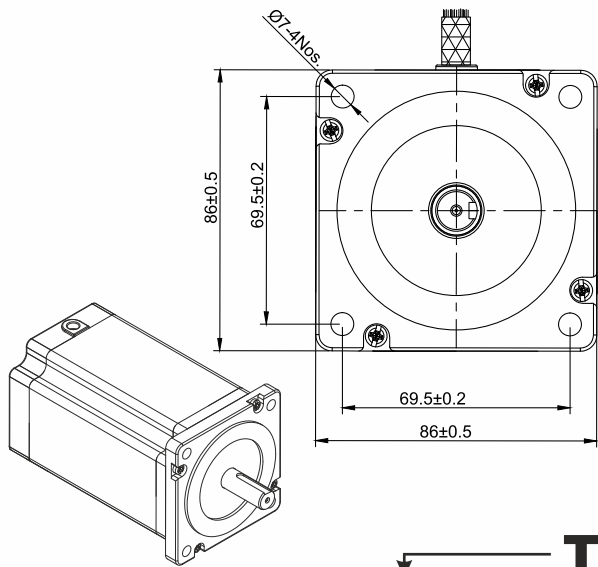


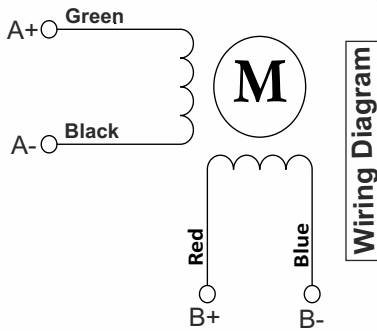
SPECIFICATION SHEET
Bholanath

STEPPER MOTOR
BH86 SH 118 - 4004AKS
HIGH TORQUE HYBRID



Amendment
Inductance :- 4.5 mH to 7.2 mH

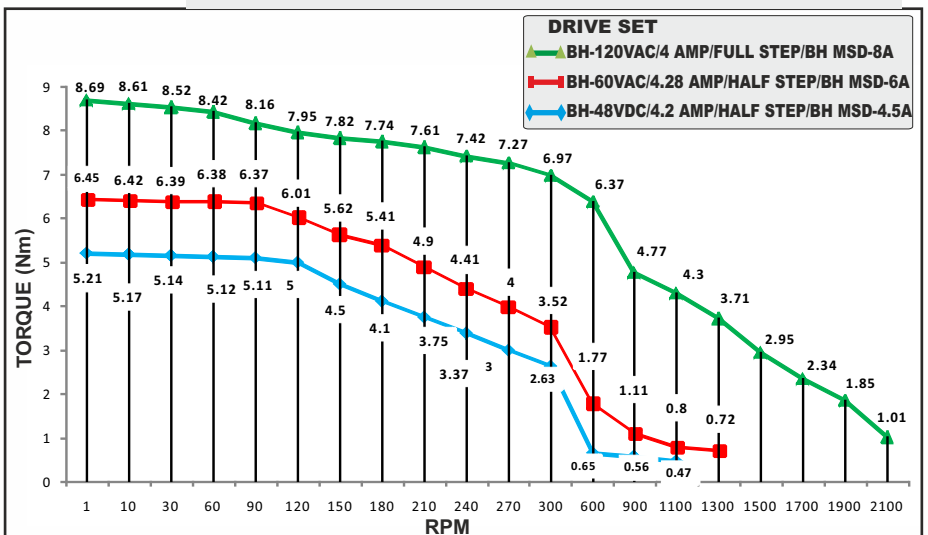
TECHNICAL DATA



SPECIFICATION		BH 86SH 118 - 4004 AKS	
	MODEL	Bipolar	
1	Rated Voltage	V	3.08
2	Current / Phase	A	4
3	Resistance / Phase	± 10% Ω	0.77
4	Inductance / Phase	± 20% mH	7.2
5	Holding Torque	Nm	9.19
6	Rotor Inertia	G-CM ²	2700
7	Weight	KG.	4
8	No of Lead	N ⁰	4
9	Operating Voltage	VDC	48 - 170
10	Operating Voltage	VAC	34 - 120

CHARACTERISTICS

- Step Angle - 1.8°
- Step Angle Accuracy - ± 3 Arc Minute
- Insulation Class - H
- Ambient Temperature - - 20
- Temperature Rise - 80° C Max. ° C + 50° C (Rated Current Phase 2 ON)
- Insulation Resistance 100 M Ohms Min.500 VDC
- Dielectric Strength 820 VAC For One Minute
- Shaft Radial Play 0.02 Max. Play (450 G Load)
- Shaft Axial Play 0.08 Max. Play (450 G Load)
- Max.Radial Force 220 N (20MM From Front Flange)
- Max.Axial Force 60 N



STEPPER MOTOR - BH86SH118- 4004 AKS **Revised Date 27.02.2018**



Bholanath Precision Engineering Pvt.Ltd.

11,Kembros Ind.Estate , Sonapur Lane , Bhandup (W),Mumbai - 400078.
Telefax/Phone : 25662856/25664338/67993260 Email : support@bholanath.in
Mobile No : 9920903825/9821671733/9930514603/9819515543/9323166582.