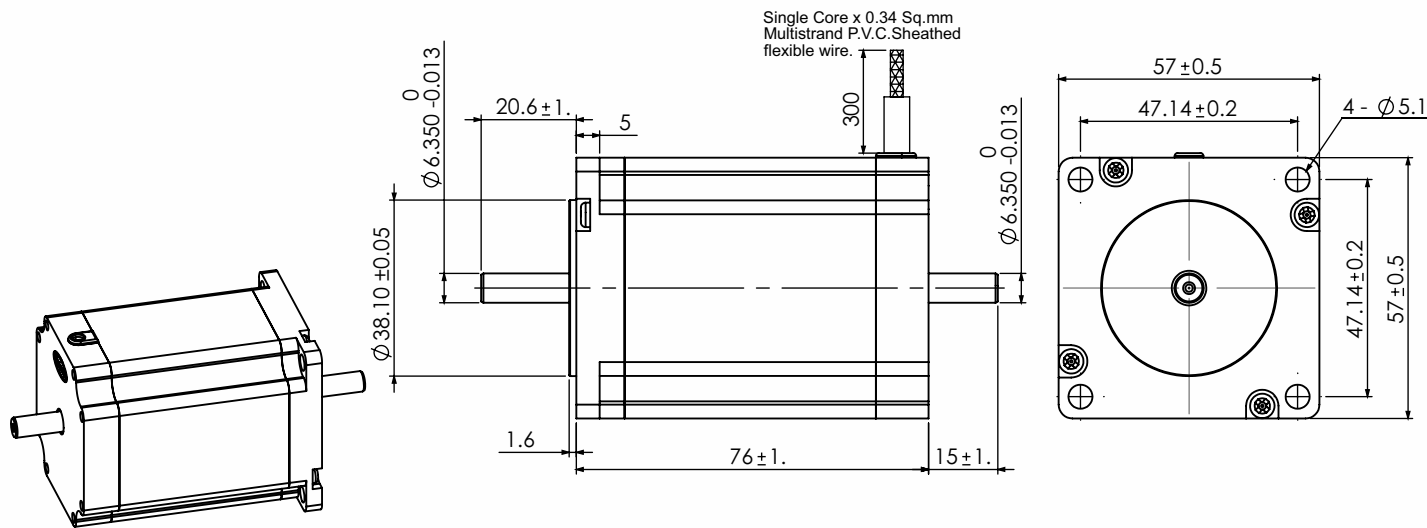


SPECIFICATION SHEET
Bholanath

STEPPER MOTOR
BH 57 SH 76-2804 B
HIGH TORQUE HYBRID



TECHNICAL DATA

CHARACTERISTICS

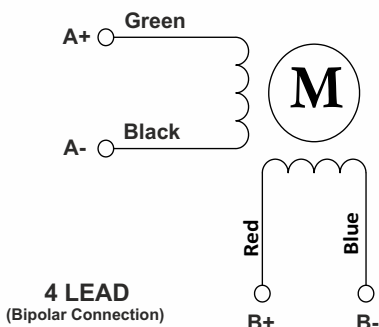
Step Angle - 1.8°
Step Angle Accuracy - ± 3 Arc Minute
Insulation Class - H
Ambient Temperature - $-20^\circ\text{C} + 50^\circ\text{C}$
Temperature Rise - 80°C Max. (Rated Current Phase 2 ON)
Insulation Resistance 100 M Ohms Min.500 VDC
Dielectric Strength 500 VAC For One Minute
Shaft Radial Play 0.02 Max. Play (450 G Load)
Shaft Axial Play 0.08 Max. Play (450 G Load)
Max.Radial Force 75 N (20MM From Front Flange)
Max.Axial Force 15 N

SPECIFICATION

BH57SH76 - 2804 B

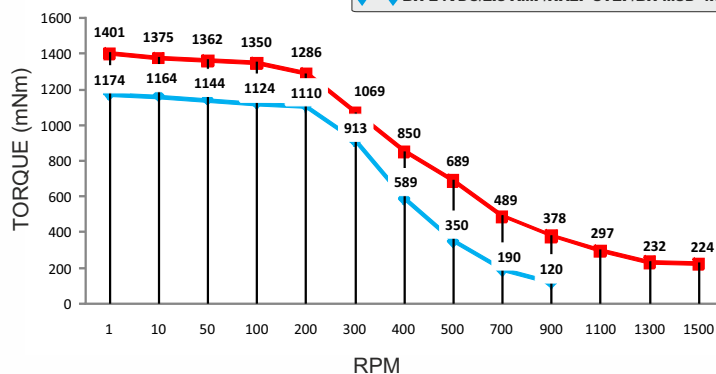
	MODEL	Bipolar	
1	Rated Voltage	V	3.36
2	Current / Phase	A	2.8
3	Resistance / Phase	$\pm 10\% \Omega$	1.2
4	Inductance / Phase	$\pm 20\% \text{mH}$	4.5
5	Holding Torque	Nm	1.89
6	Rotor Inertia	G-CM ²	480
7	Weight	KG.	1.05
8	No of Lead	N ⁰	4
9	Operating Voltage	VDC	24 - 48

Wiring Diagram



DRIVE SET

■ BH-48VDC/2.8 AMP/HALF STEP/BH MSD-4.5A
◆ BH-24VDC/2.8 AMP/HALF STEP/BH MSD-4.5A



MOTOR MODEL - BH57SH76-2804B



Bholanath Precision Engineering Pvt.Ltd.

11,Kembros Ind.Estate , Sonapur Lane , Bhandup (W),Mumbai - 400078.

Telefax/Phone : 25662856/25664338/67993260 Email : support@bholanath.in

Mobile No : 9920903825/9821671733/9930514603/9819515543/9323166582.