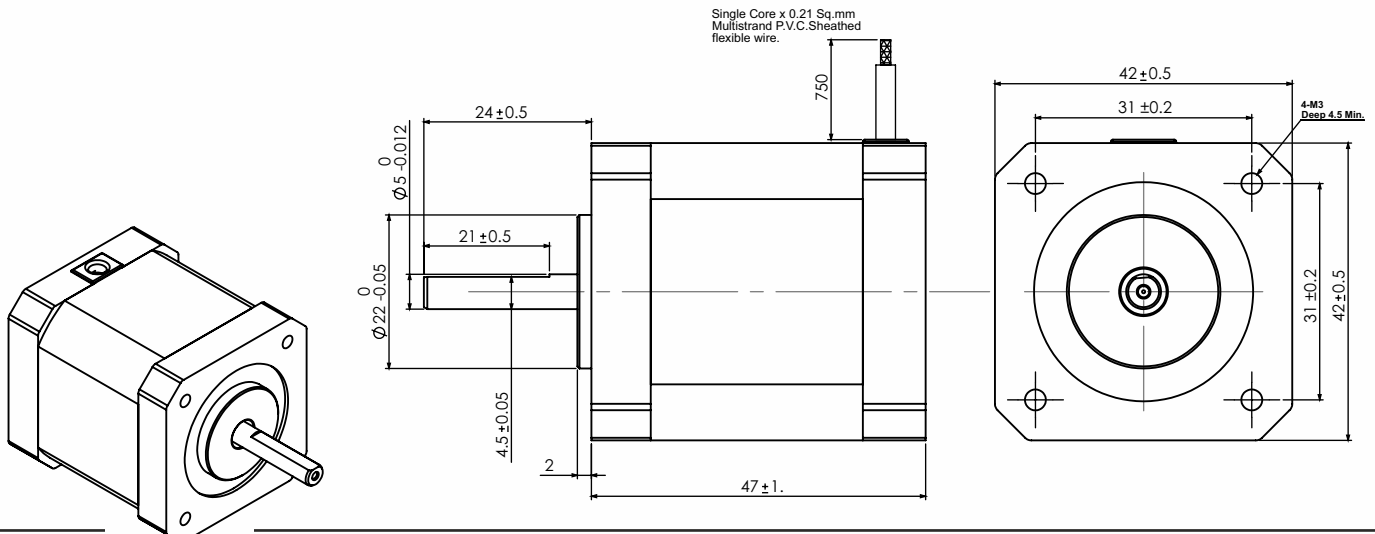


SPECIFICATION SHEET
Bholanath

STEPPER MOTOR
BH 42 SH 47-1504 AF
HIGH TORQUE HYBRID



TECHNICAL DATA

CHARACTERISTICS

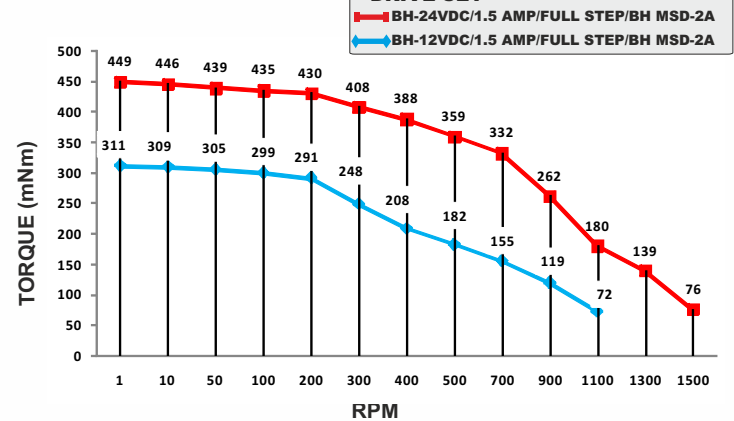
Step Angle - 1.8°
Step Angle Accuracy - ± 3 Arc Minute
Insulation Class - H
Ambient Temperature - - 20°C + 50°C
Temperature Rise - 80°C Max. (Rated Current Phase 2 ON)
Insulation Resistance 100 M Ohms Min.500 VDC
Dielectric Strength 500 VAC For One Minute
Shaft Radial Play 0.02 Max. Play (450 G Load)
Shaft Axial Play 0.08 Max. Play (450 G Load)
Max.Radial Force 28 N (20MM From Front Flange)
Max.Axial Force 10 N

SPECIFICATION

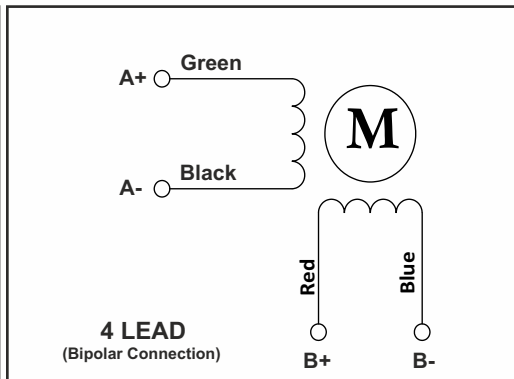
BH42SH47 - 1504AF

MODEL	Bipolar	
1 Rated Voltage	V	4.2
2 Current / Phase	A	1.5
3 Resistance / Phase	± 10% Ω	2.8
4 Inductance / Phase	± 20% mH	5.7
5 Holding Torque	Nm	0.55
6 Rotor Inertia	G-CM ²	68
7 Weight	KG.	0.383
8 No of Lead	N ⁰	4
9 Operating Voltage	VDC	12 - 24

DRIVE SET



Wiring Diagram



MOTOR MODEL - BH42 SH47-1504AF



Bholanath Precision Engineering Pvt.Ltd.

11,Kembros Ind.Estate , Sonapur Lane , Bhandup (W),Mumbai - 400078.

Telefax/Phone : 25662856/25664338/67993260 Email : support@bholanath.in

Mobile No : 9920903825/9821671733/9930514603/9819515543/9323166582.