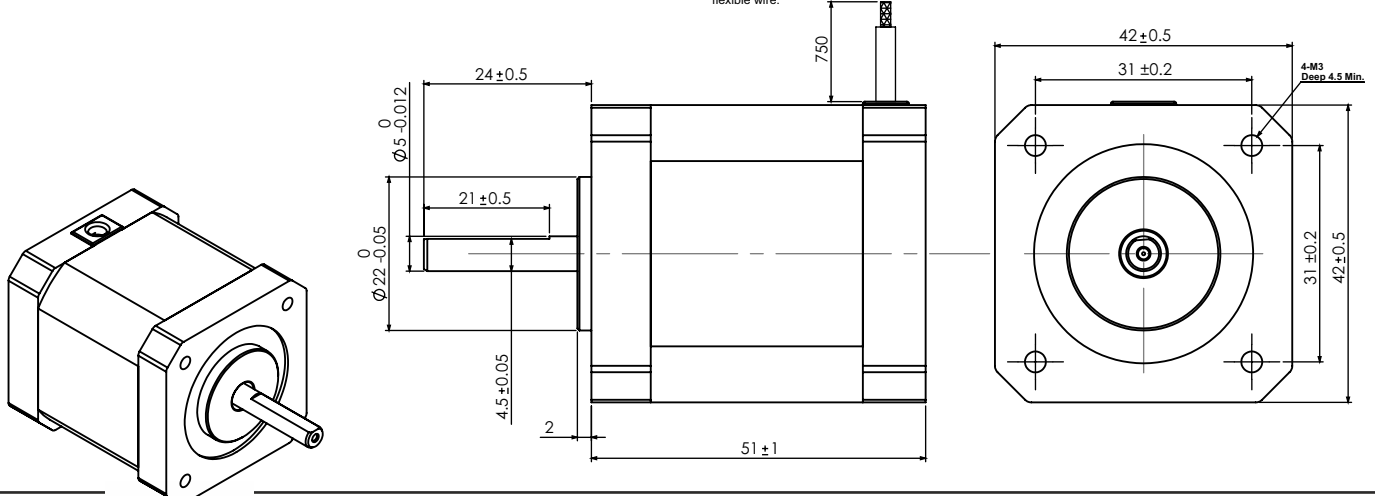


**SPECIFICATION SHEET**  
**Bholanath**

**STEPPER MOTOR**  
**BH 42 SH 51-1504 AF-B12**  
**HIGH TORQUE HYBRID**



Single Core x 0.21 Sq.mm  
Multistrand P.V.C. Sheathed  
flexible wire.



**TECHNICAL DATA**

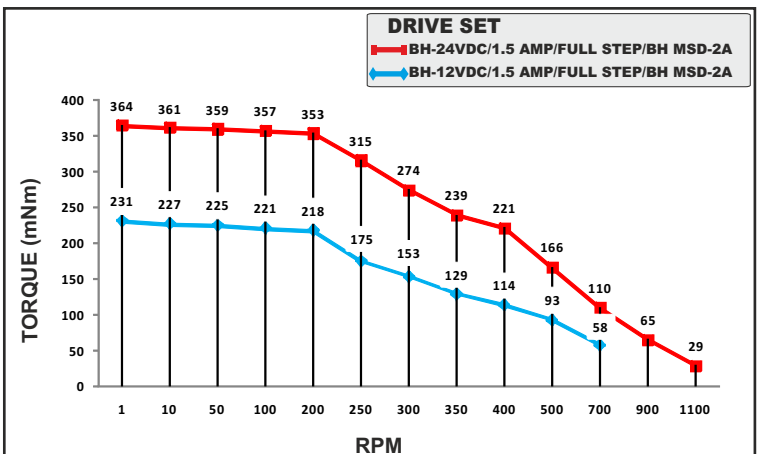
**CHARACTERISTICS**

Step Angle - 1.8°
Step Angle Accuracy - ± 3 Arc Minute
Insulation Class - H
Ambient Temperature - - 20°C + 50°C
Temperature Rise - 80°C Max. ( Rated Current Phase 2 ON )
Insulation Resistance 100 M Ohms Min.500 VDC
Dielectric Strength 500 VAC For One Minute
Shaft Radial Play 0.02 Max. Play ( 450 G Load )
Shaft Axial Play 0.08 Max. Play ( 450 G Load )
Max.Radial Force 28 N ( 20MM From Front Flange )
Max.Axial Force 10 N

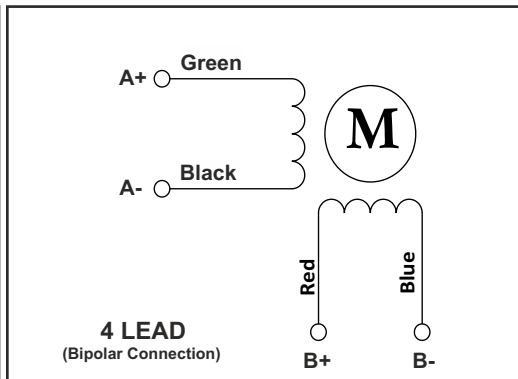
**SPECIFICATION BH42SH51 - 1504AF-B12**

	MODEL	Bipolar
1	Rated Voltage	V 4.86
2	Current / Phase	A 1.5
3	Resistance / Phase	± 10% Ω 3.2
4	Inductance / Phase	± 20% mH 6.15
5	Holding Torque	Nm 0.45
6	Rotor Inertia	G-CM <sup>2</sup> 84
7	Weight	KG. 0.41
8	No of Lead	N <sup>0</sup> 4
9	Operating Voltage	VDC 12 - 24

**DRIVE SET**



**Wiring Diagram**



**MOTOR MODEL - BH 42 SH51-1504AF-B12**



**Bholanath Precision Engineering Pvt.Ltd.**

11,Kembros Ind.Estate , Sonapur Lane , Bhandup (W),Mumbai - 400078.  
Telefax/Phone : 25662856/25664338/67993260 Email : support@bholanath.in  
Mobile No : 9920903825/9821671733/9930514603/9819515543/9323166582.