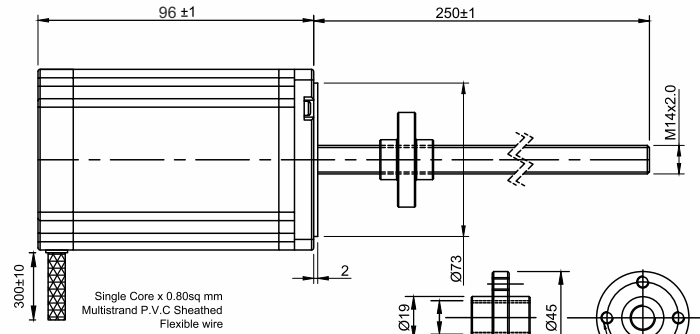
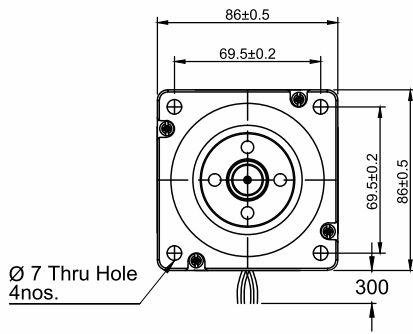


**SPECIFICATION SHEET**  
**Bholanath**

**STEPPER MOTOR**  
**BH86SH96-5504LA(250/300/450)**  
**(M14X2)**  
**HIGH TORQUE HYBRID**



Single Core x 0.80 Sq mm  
Multistrand P.V.C. Sheathed  
Flexible Wire

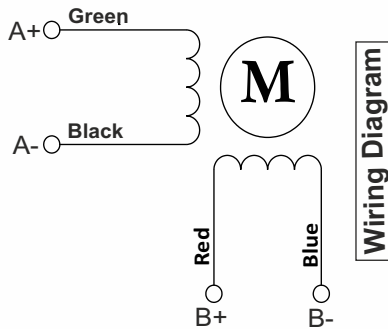
**Standard Lead Length: 250mm**  
**Available Lead Length: 300,450mm**

**BUSH DETAILS**

**TECHNICAL DATA**

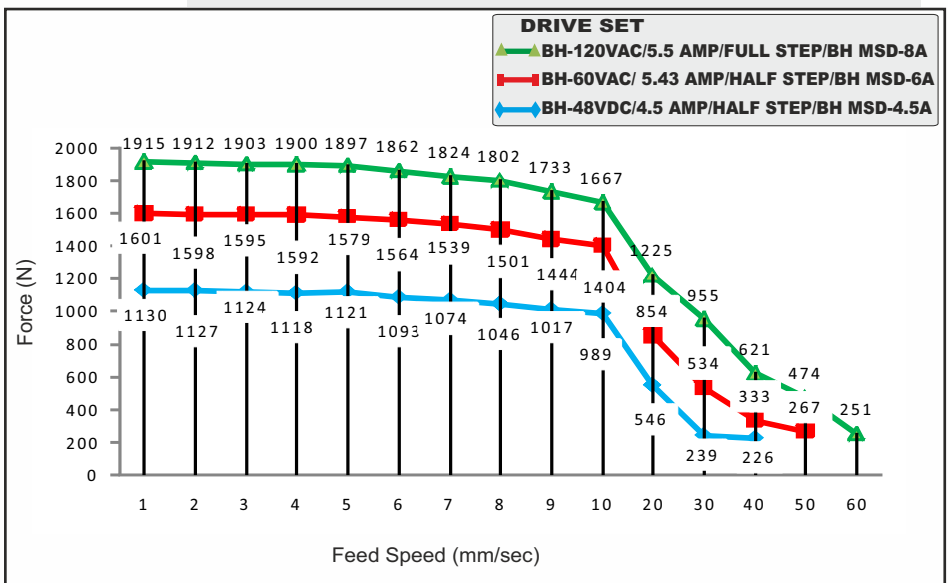
**SPECIFICATION BH86SH96 - 5504 LA(250/300/450) (M14X2)**

	MODEL		Bipolar
1	Rated Voltage	V	2.7
2	Current / Phase	A	5.5
3	Resistance / Phase	± 10% Ω	0.5
4	Inductance / Phase	± 20% mH	3.5
5	Holding Torque	Nm	7.00
6	Rotor Inertia	G-CM <sup>2</sup>	2700
7	Weight	KG.	3.5
8	No of Lead	N <sup>o</sup>	4
9	Operating Voltage	VDC	48 - 170
10	Operating Voltage	VAC	34 - 120
11	Linear Step size - 10 micron per full step		



**CHARACTERISTICS**

Step Angle - 1.8°
Step Angle Accuracy - ± 3 Arc Minute
Insulation Class - H
Ambient Temperature - - 20°C + 50°C
Temperature Rise - 80°C Max. ( Rated Current Phase 2 ON )
Insulation Resistance 100 M Ohms Min.500 VDC
Dielectric Strength 820 VAC For One Minute
Shaft Radial Play 0.02 Max. Play ( 450 G Load )
Shaft Axial Play 0.08 Max. Play ( 450 G Load )
Max.Radial Force 220 N ( 20MM From Front Flange )



**Bholanath Precision Engineering Pvt.Ltd.**

11,Kembros Ind.Estate , Sonapur Lane , Bhandup (W),Mumbai - 400078.  
Telefax/Phone : 25662856/25664338/67993260 Email : support@bholanath.in  
Mobile No : 9920903825/9821671733/9930514603/9819515543/9323166582.