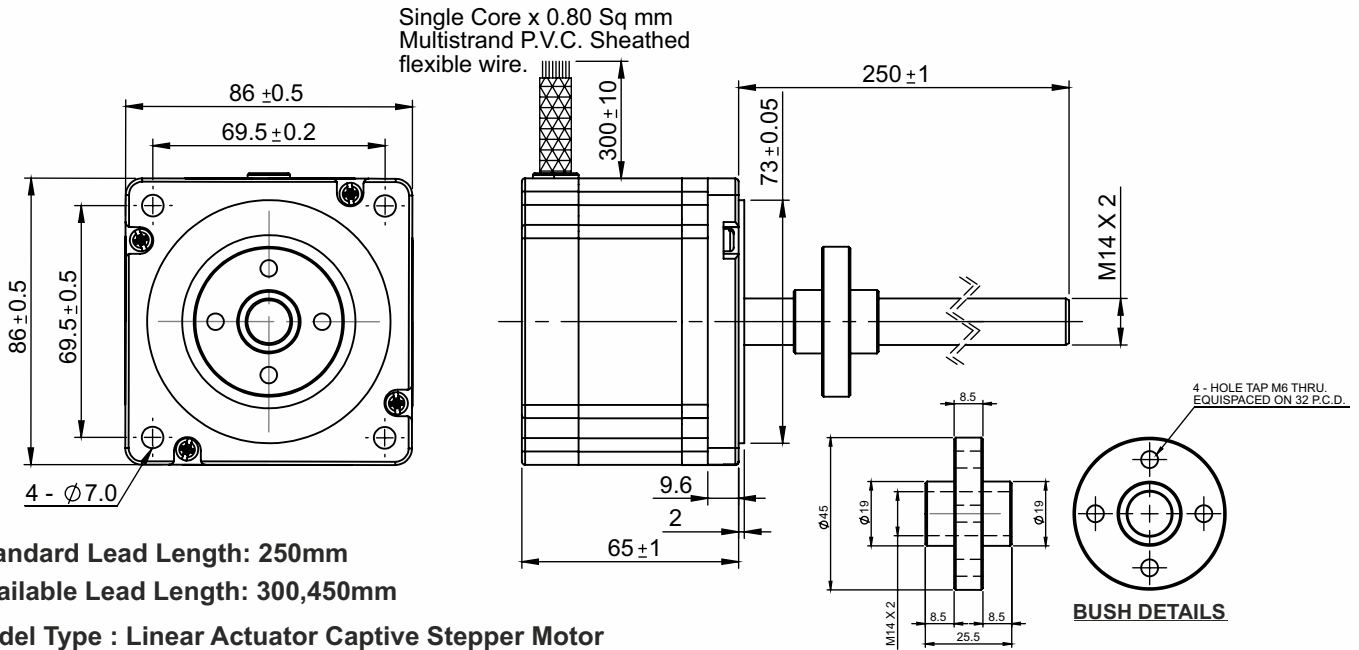


SPECIFICATION SHEET
Bholanath

STEPPER MOTOR
BH86 SH 65 - 6004 LA(250/300/450)
(M14X2)
HIGH TORQUE HYBRID



TECHNICAL DATA

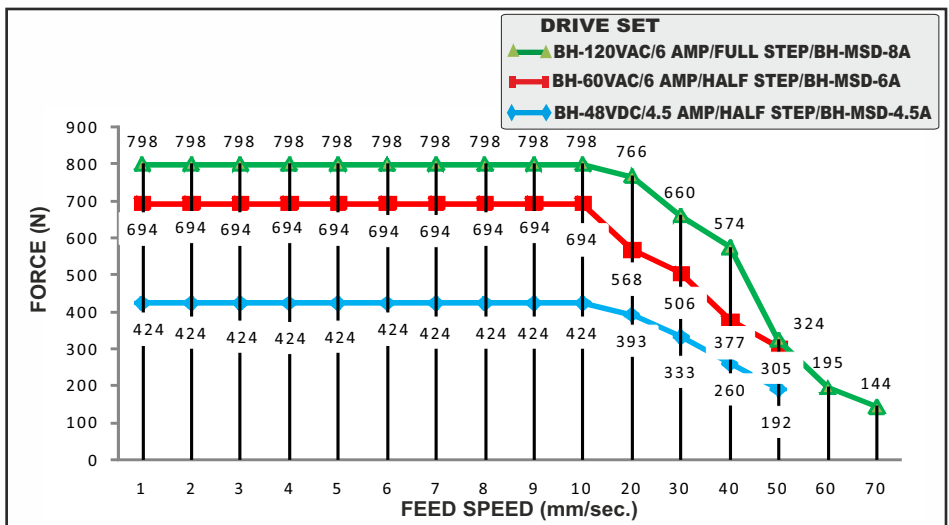
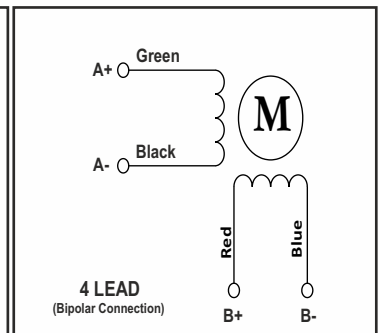
Characteristics

- Step Angle
1.8°
- Step Angle Accuracy
± 3 Arc Minute
- Insulation Class
H
- Ambient Temperature
- 20°C + 50°C
- Temperature Rise - 80° C Max.
(Rated Current Phase 2 ON)
- Insulation Resistance
100 M Ohms Min.500 VDC
- Dielectric Strength
500 VAC For One Minute
- Shaft Radial Play
0.02 Max. Play (450 G Load)
- Shaft Axial Play
0.08 Max. Play (450 G Load)
- Max.Radial Force
220 N (20MM From Front Flange)

SPECIFICATION BH86SH65-6004 LA(250/300/450) (M14X2)

	MODEL		Bipolar
1	Rated Voltage	V	1.86
2	Current / Phase	A	6
3	Resistance / Phase ± 10%	Ω	0.31
4	Inductance / Phase ± 20%	mH	1.35
5	Holding Torque	Nm	3.4
6	Rotor Inertia	G-CM ²	1470.8
7	Weight	KG.	2.2
8	No of Lead	N ^o	4
9	Operating Voltage	VDC	48 - 170
9	Operating Voltage	VAC	34 - 120
10	Linear Step size - 10 micron per full step		

Wiring Diagram



Bholanath Precision Engineering Pvt.Ltd.

11,Kembros Ind.Estate , Sonapur Lane , Bhandup (W),Mumbai - 400078.
Telefax/Phone : 25662856/25664338/67993260 Email : support@bholanath.in
Mobile No : 9920903825/9821671733/9930514603/9819515543/9323166582.