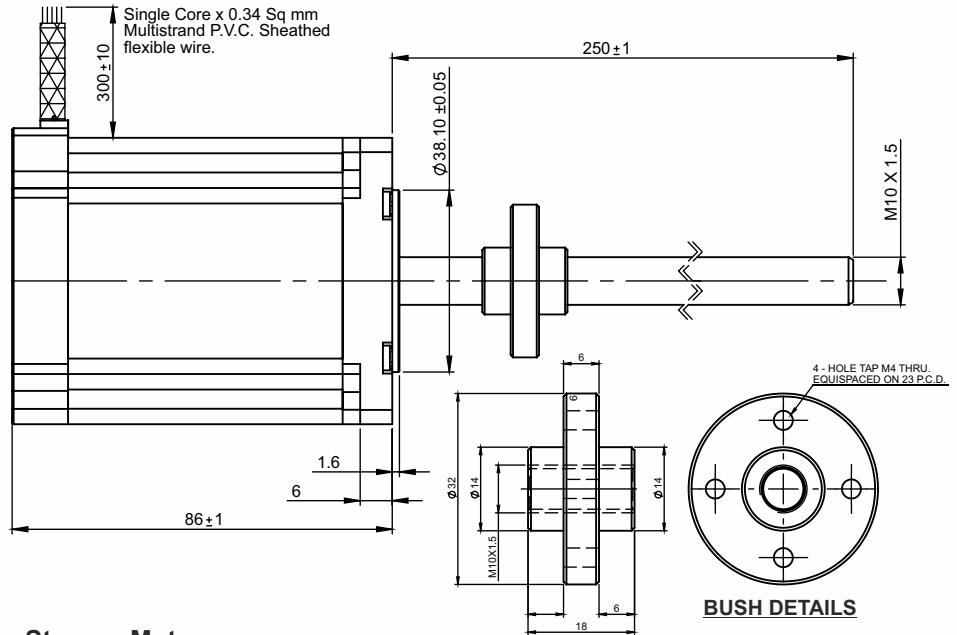
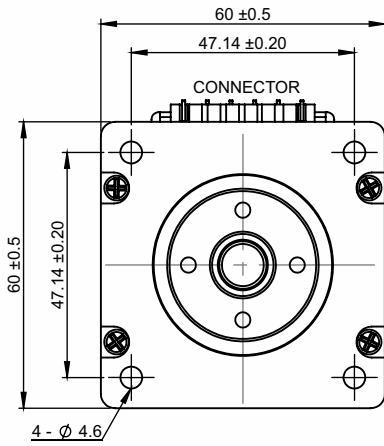


SPECIFICATION SHEET
Bholanath

STEPPER MOTOR
BH60 SH 86 - 2804 LA(250/300/450)
(M10X1.5)
HIGH TORQUE HYBRID



Standard Lead Length: 250mm
Available Lead Length: 300,450mm

Model Type : Linear Actuator Captive Stepper Motor

TECHNICAL DATA

CHARACTERISTICS

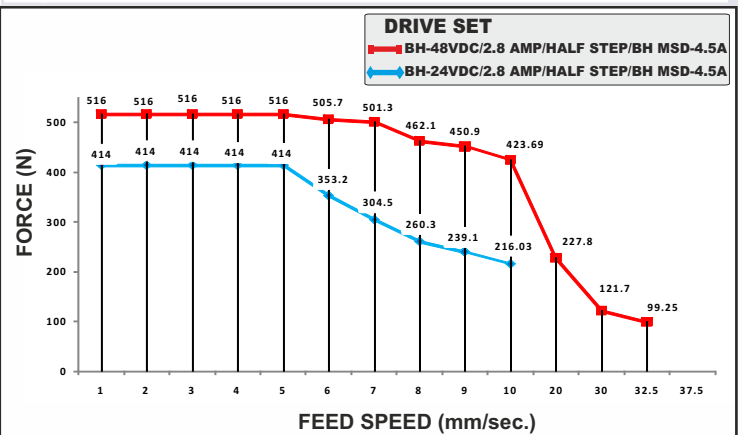
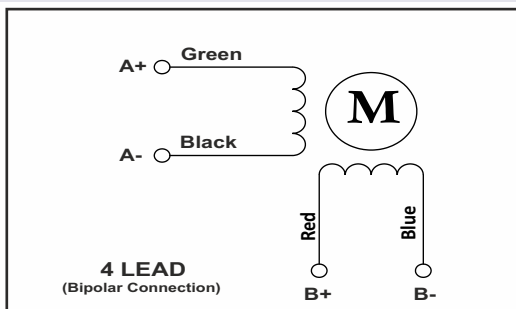
- Step Angle - 1.8⁰
- Step Angle Accuracy - ± 3 Arc Minute
- Insulation Class - H
- Ambient Temperature - (- 20°C to + 50°C)
- Temperature Rise - 80°C Max.
(Rated Current Phase 2 ON)
- Insulation Resistance
100 M Ohms Min.500 VDC
- Dielectric Strength
500 VAC For One Minute
- Shaft Radial Play
0.02 Max. Play (450 G Load)
- Shaft Axial Play
0.08 Max. Play (450 G Load)
- Max.Radial Force
75 N (20MM From Front Flange)

SPECIFICATION

BH 60 SH 86- 2804 LA(250/300/450)
(M10X1.25)

	MODEL		Bipolar
1	Rated Voltage	V	4.48
2	Current / Phase	A	2.8
3	Resistance / Phase	± 10% Ω	1.6
4	Inductance / Phase	± 20% mH	6.5
5	Holding Torque	Nm	3.1
6	Rotor Inertia	G-CM ²	966.64
7	Weight	KG.	1.6
8	No of Lead	N ⁰	4
9	Operating Voltage	VDC	24 - 48
10	Linear Step size - 7.5 micron per full step		

Wiring Diagram



Bholanath Precision Engineering Pvt.Ltd.

11,Kembros Ind.Estate , Sonapur Lane , Bhandup (W),Mumbai - 400078.
Telefax/Phone : 25662856/25664338/67993260 Email : support@bholanath.in
Mobile No : 9920903825/9821671733/9930514603/9819515543/9323166582.