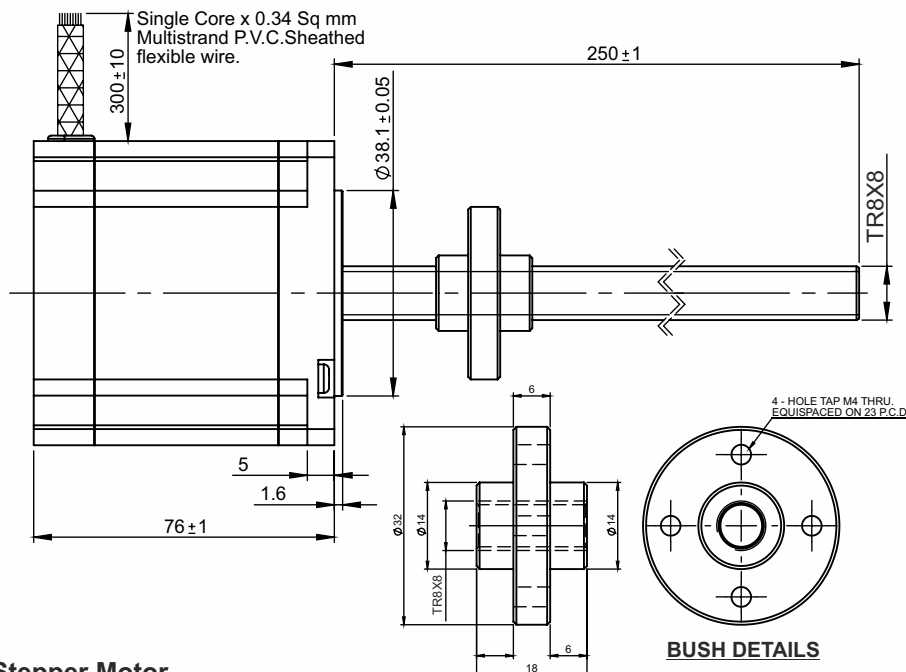
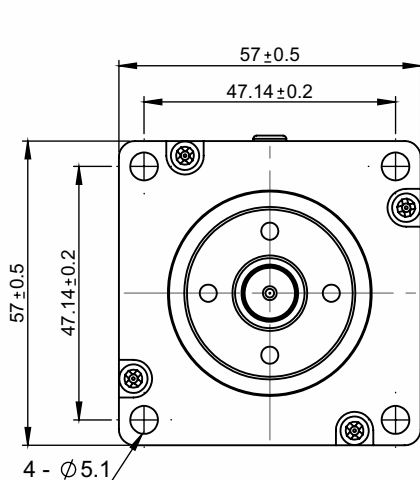


**SPECIFICATION SHEET**  
**Bholanath**

**STEPPER MOTOR**  
**BH 57 SH 76 - 2804 LA(250/300/450)**  
**(TR8 X 8)**  
**HIGH TORQUE HYBRID**



Standard Lead Length: 250mm  
Available Lead Length: 300,450mm

Model Type : Linear Actuator Captive Stepper Motor

**TECHNICAL DATA**

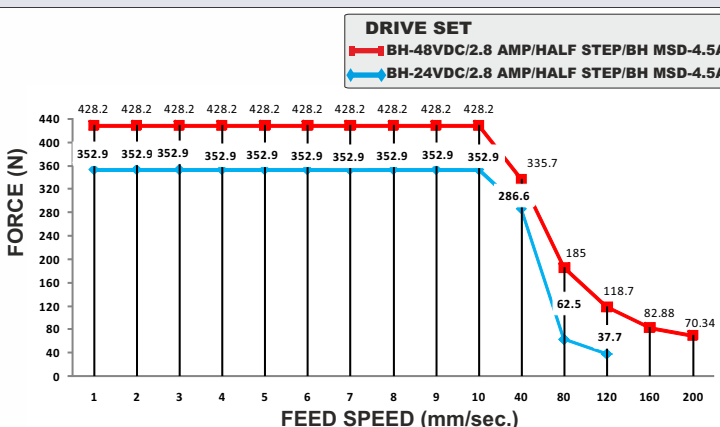
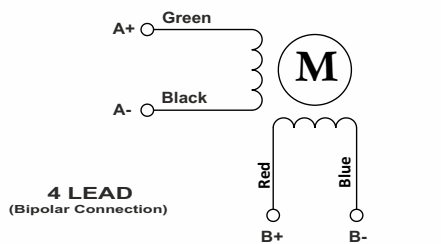
**CHARACTERISTICS**

- Step Angle - 1.8°
- Step Angle Accuracy - ± 3 Arc Minute
- Insulation Class - H
- Ambient Temperature - (- 20°C to + 50°C)
- Temperature Rise - 80°C Max. ( Rated Current Phase 2 ON )
- Insulation Resistance  
100 M Ohms Min.500 VDC
- Dielectric Strength  
500 VAC For One Minute
- Shaft Radial Play  
0.02 Max. Play ( 450 G Load )
- Shaft Axial Play  
0.08 Max. Play ( 450 G Load )
- Max.Radial Force  
75 N ( 20MM From Front Flange )

**SPECIFICATION BH 57 SH 76- 2804 LA (250/300/450) (TR8X8)**

MODEL		Bipolar
1	Rated Voltage	3.36 V
2	Current / Phase	2.8 A
3	Resistance / Phase	± 10% Ω 1.2
4	Inductance / Phase	± 20% mH 4.5
5	Holding Torque	Nm 1.89
6	Rotor Inertia	G-CM <sup>2</sup> 486.84
7	Weight	KG. 1.250
8	No of Lead	N° 4
9	Operating Voltage	VDC 24 - 48
10	Linear Step size - 40 micron per full step	

**Wiring Diagram**



**Bholanath Precision Engineering Pvt.Ltd.**

11,Kembros Ind.Estate , Sonapur Lane , Bhandup (W),Mumbai - 400078.  
Telefax/Phone : 25662856/25664338/67993260 Email : support@bholanath.in  
Mobile No : 9920903825/9821671733/9930514603/9819515543/9323166582.